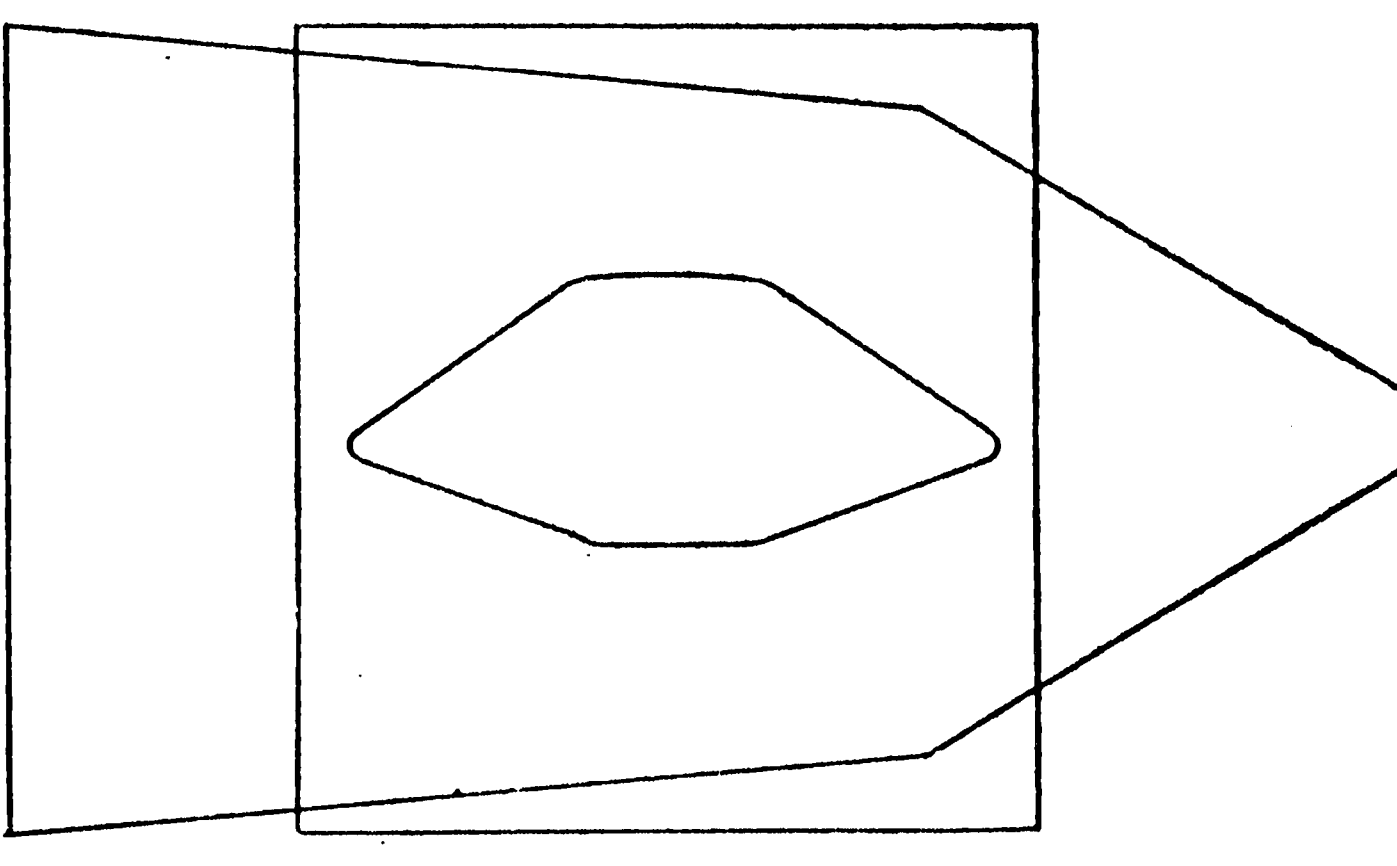
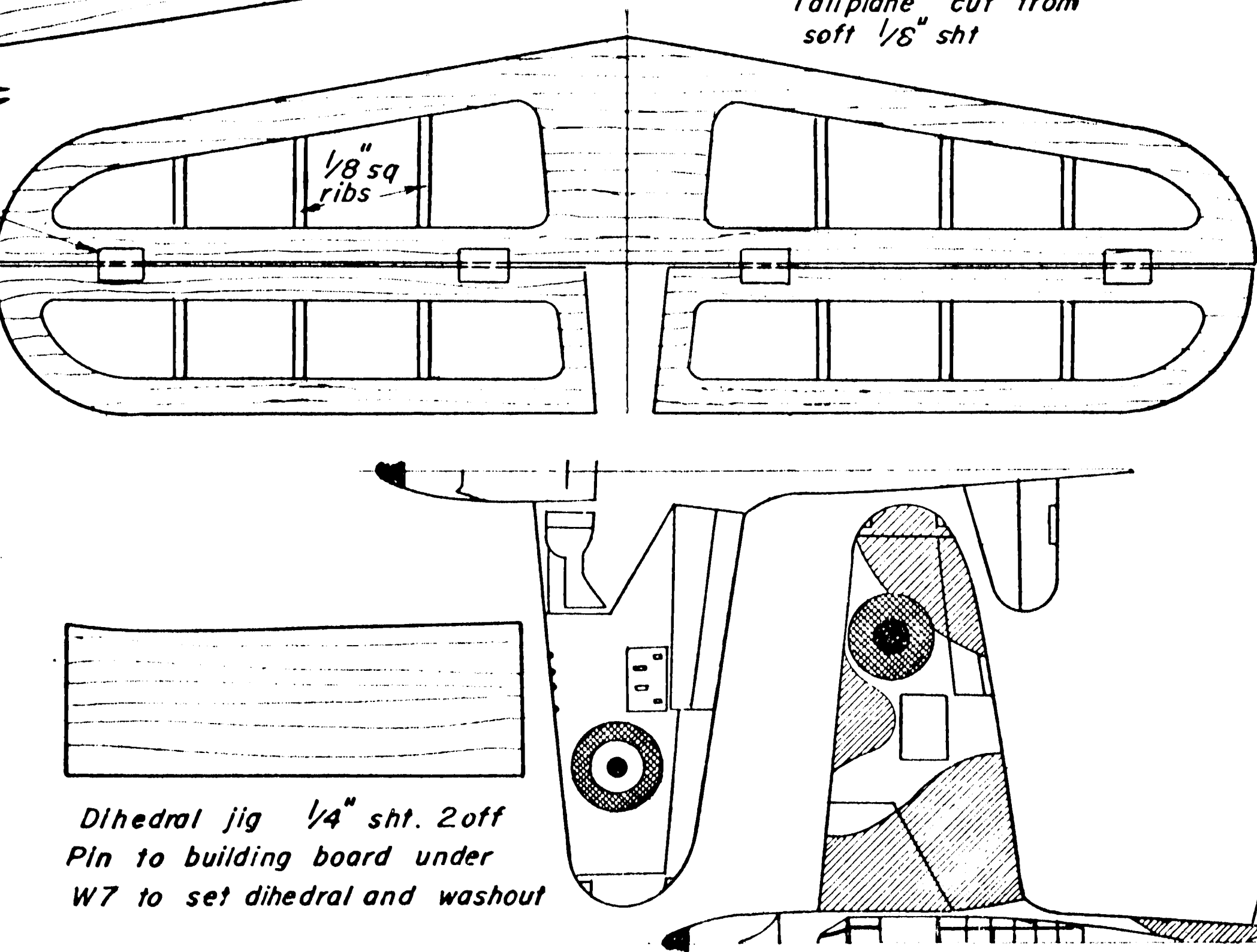
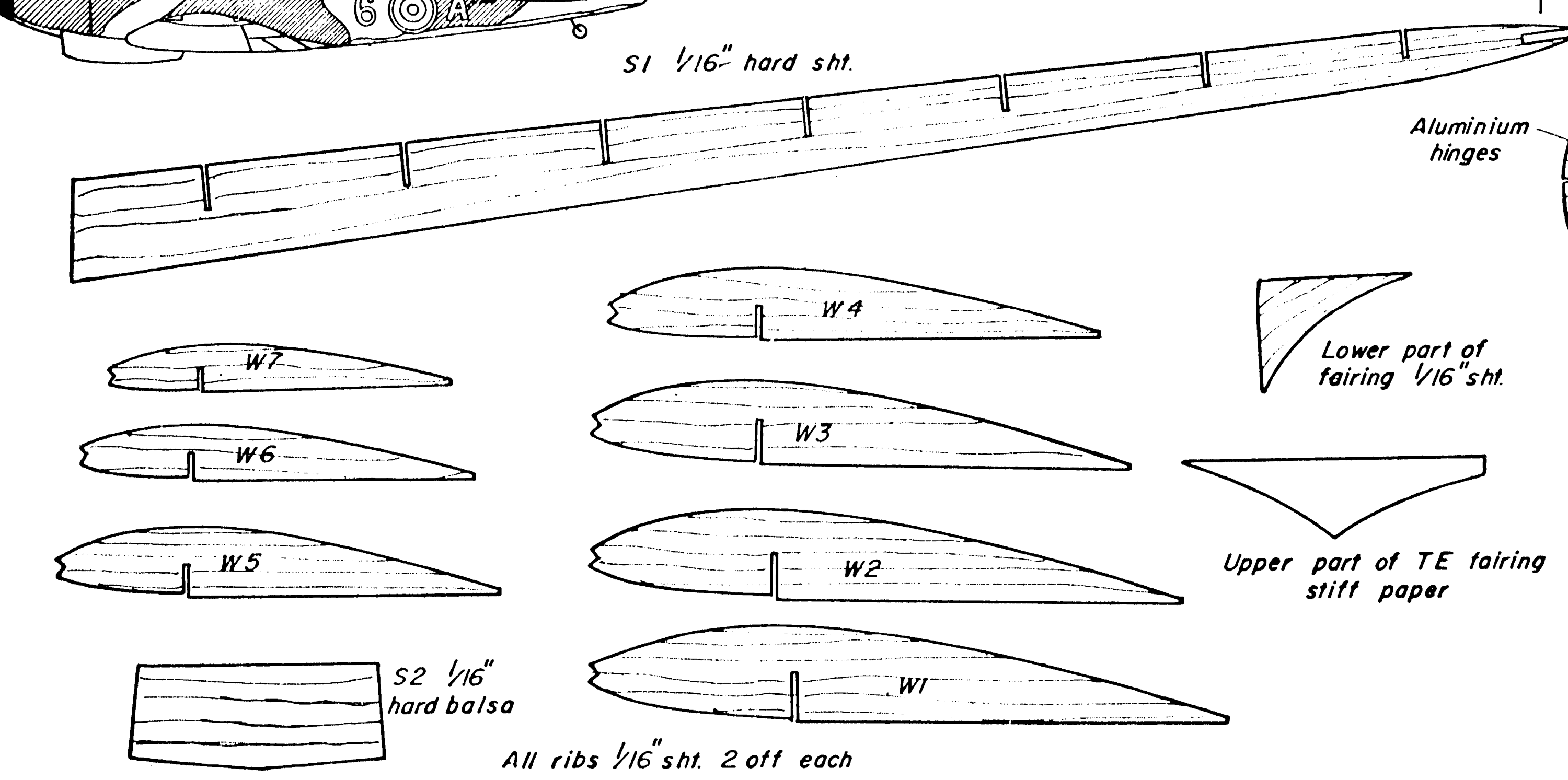
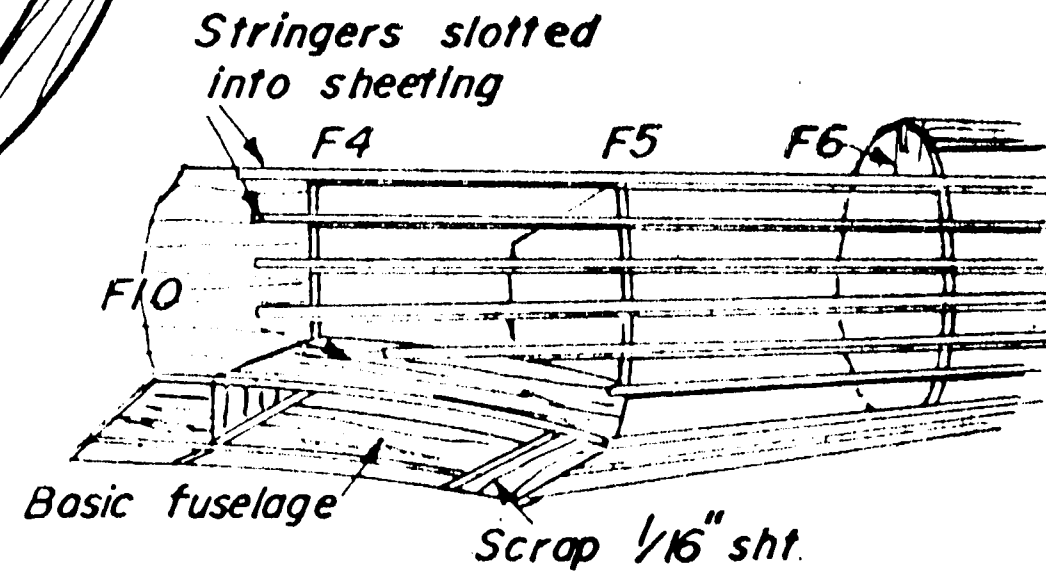
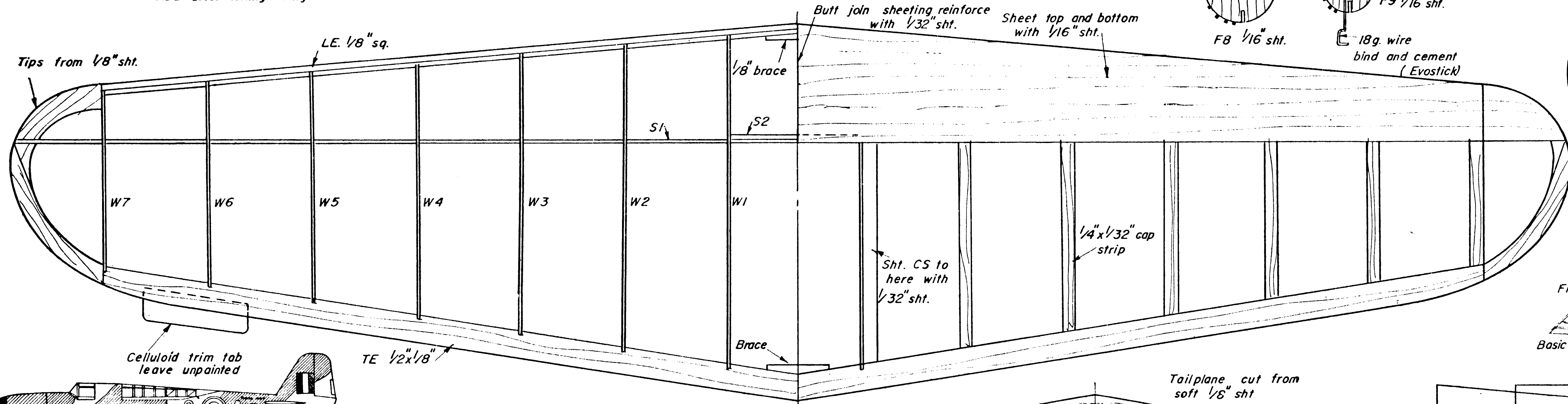
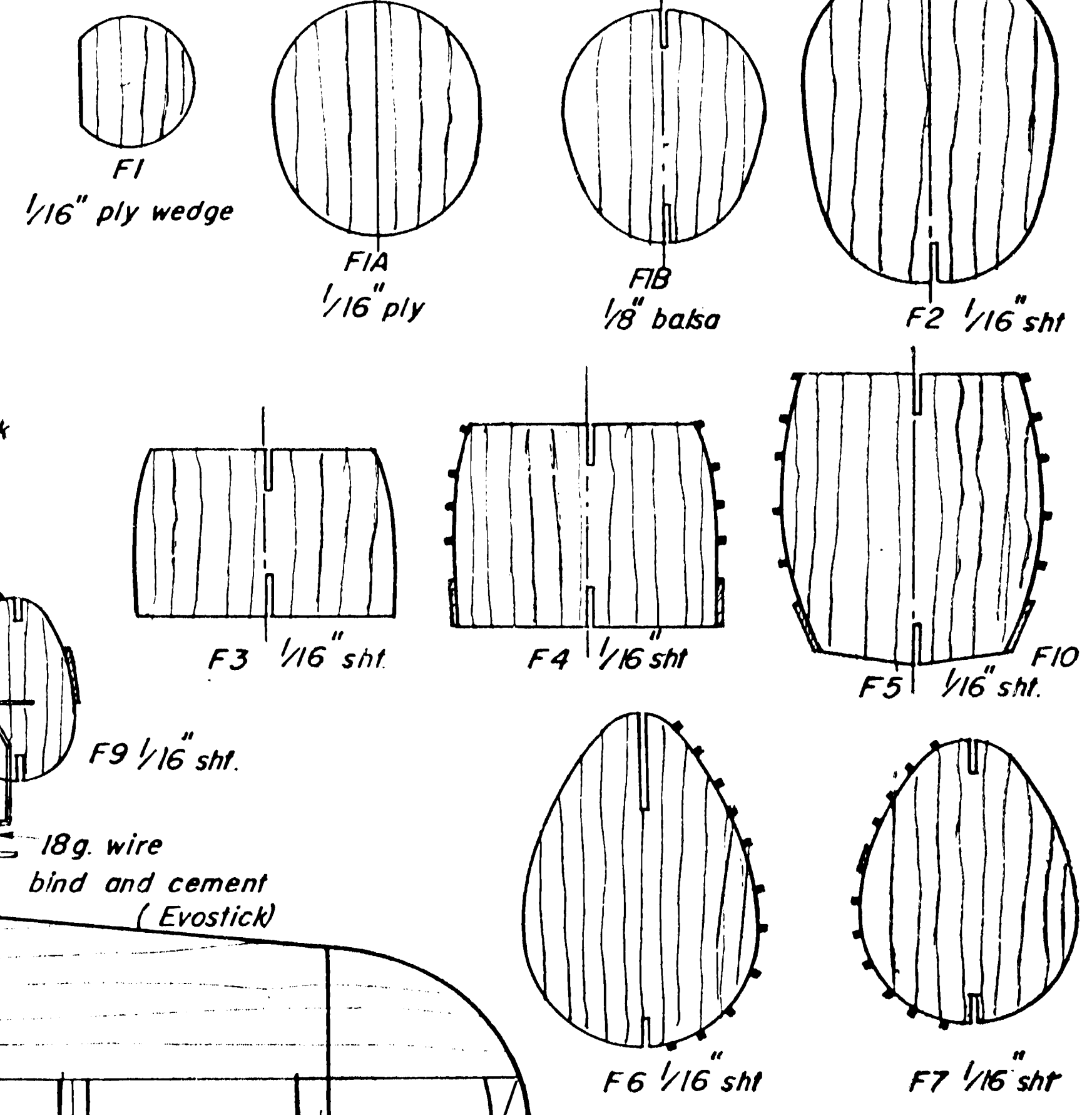
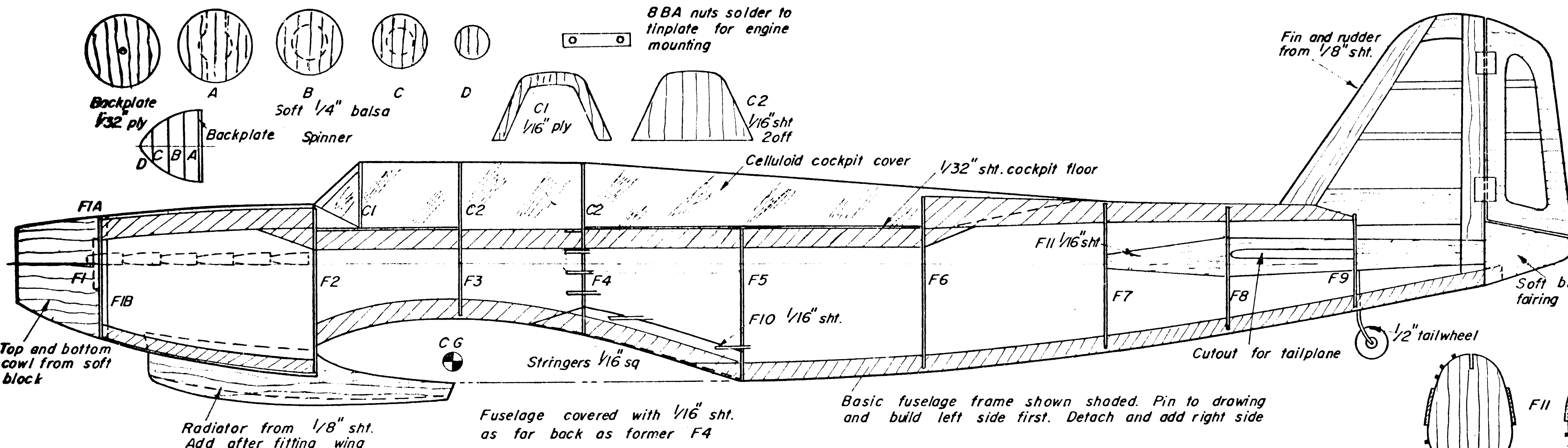


2 shts 1/32" x 3" x 36"	20 off 1/16" sq. strip	1 piece 2" x 2" x 3" soft block
1 sht. 1/16" x 3" x 36" hard	1 " 1/8" " "	" 12" x 6" celluloid
2 shts " " " soft	1 " 1/8" x 1/2" "	" 3" x 18g. wire
1 " 1/8" " "	1 " 6" x 6" x 1/16" ply	1 wheel 1/2" D.
1 sht 1/4" " "	1 " 2" x 2" x 1/32" "	



FAIREY FULMER
 MA 363 M.F. HAWKINS 36
 Span 30" Length 26"
 Engine Cox 010
 © Model Aircraft 1961
 19-20 Noel St. London W1