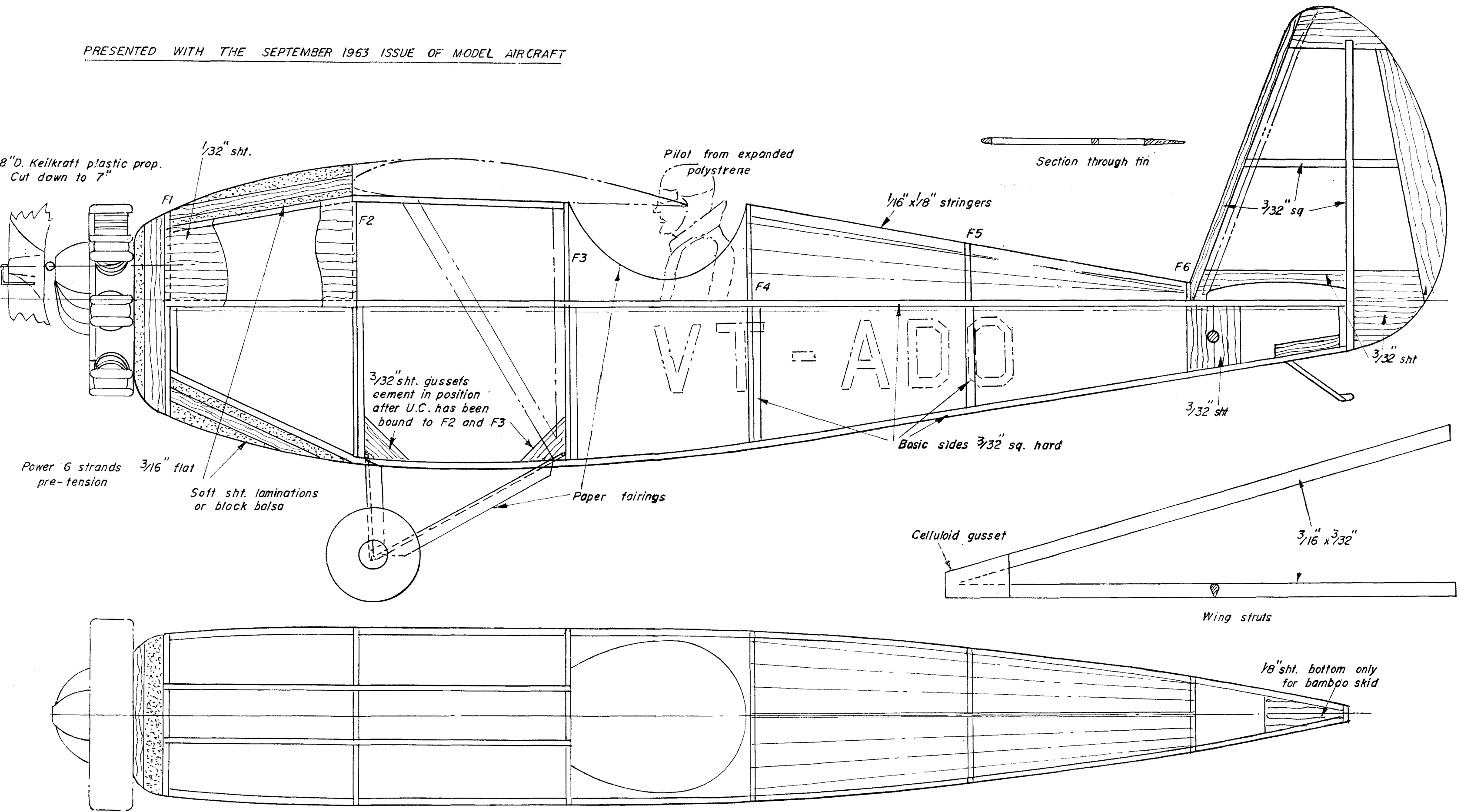


Modification for mounting Cox Tee Dee .010
Delete No. 1 cylinder and cut away F1 as shown
Engine shown shaded and cut away

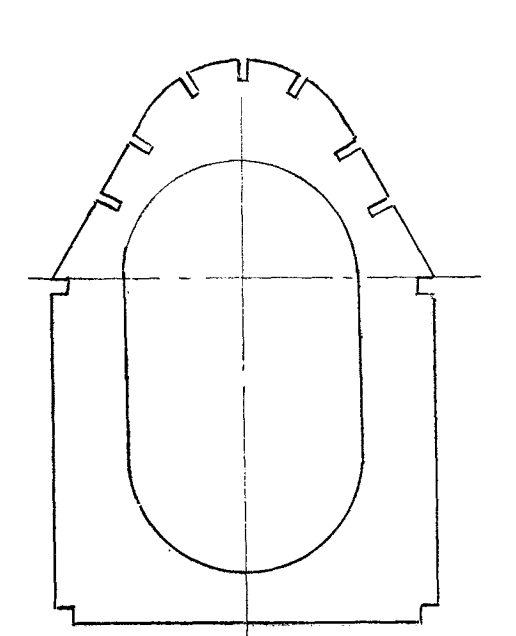
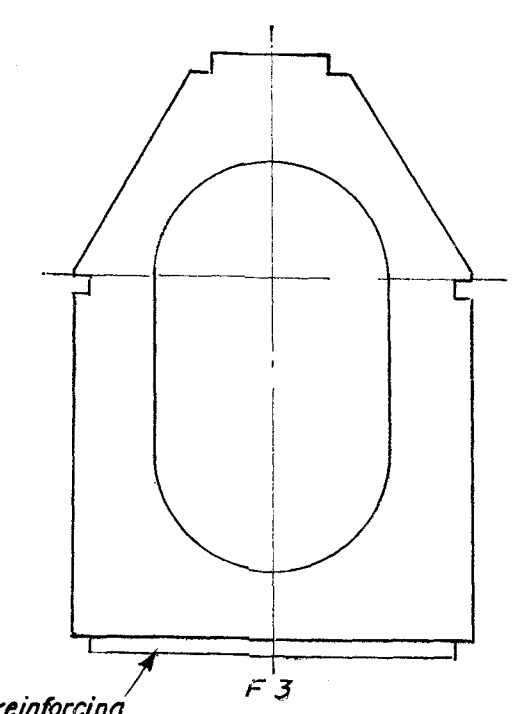
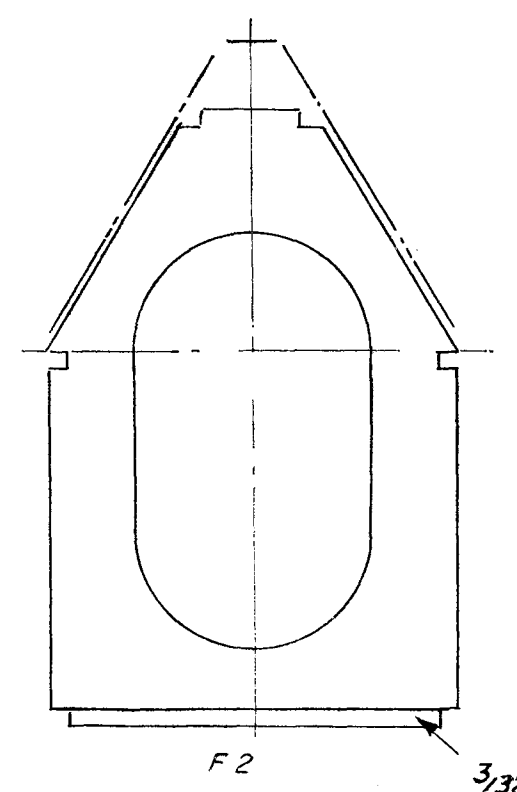
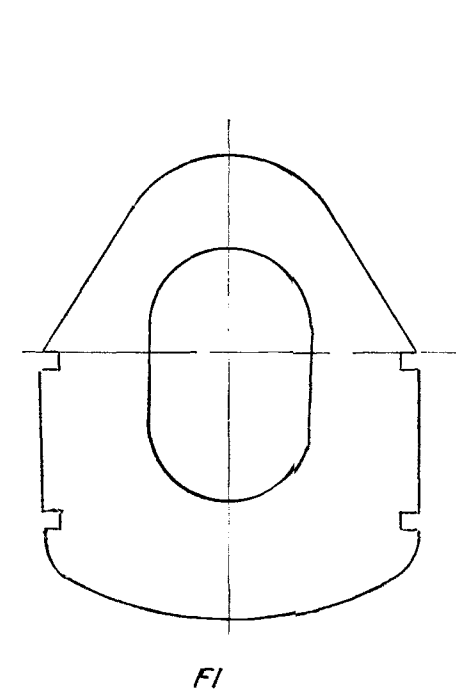
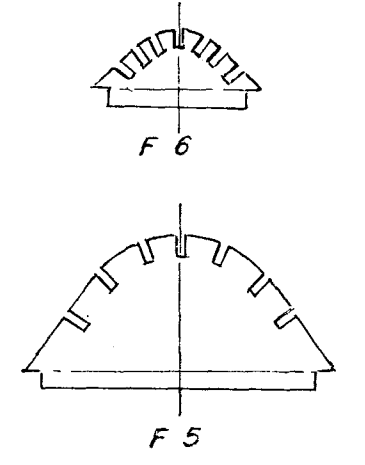
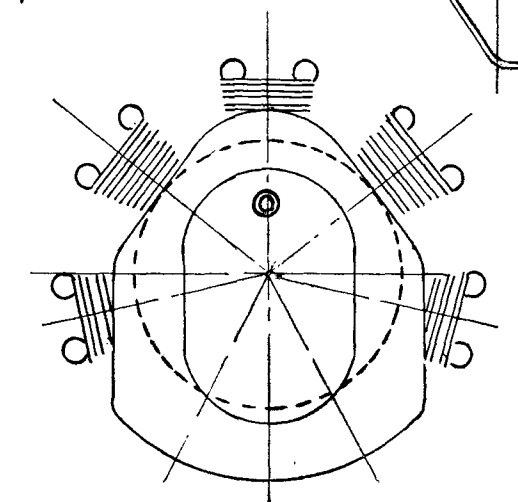
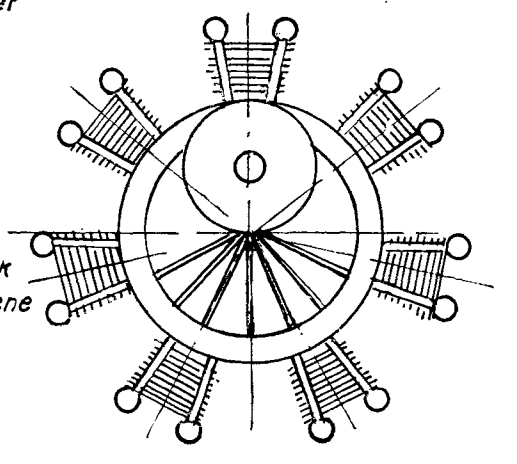
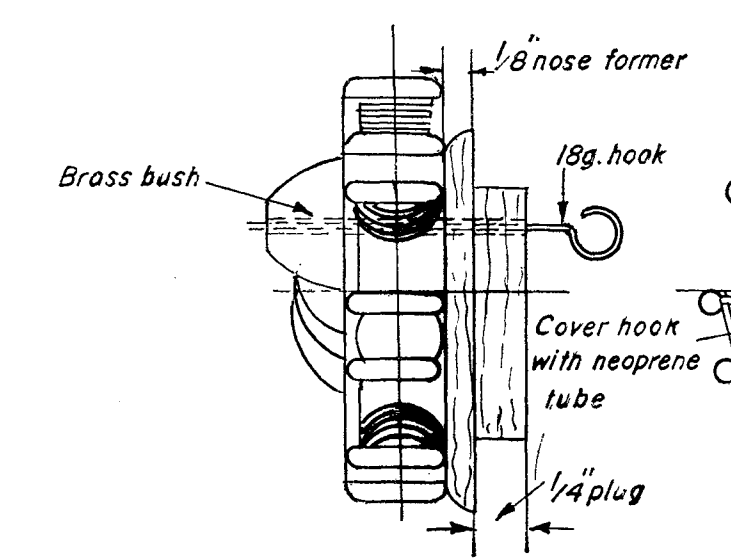
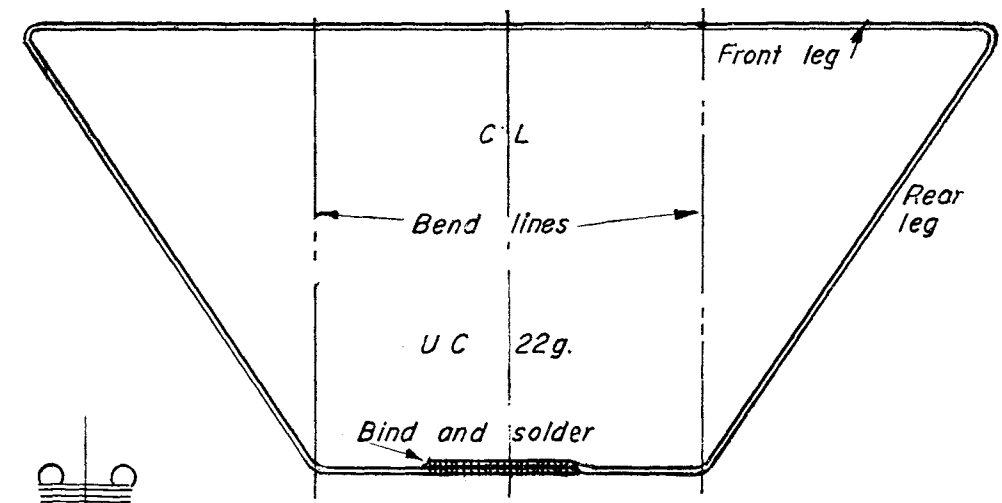
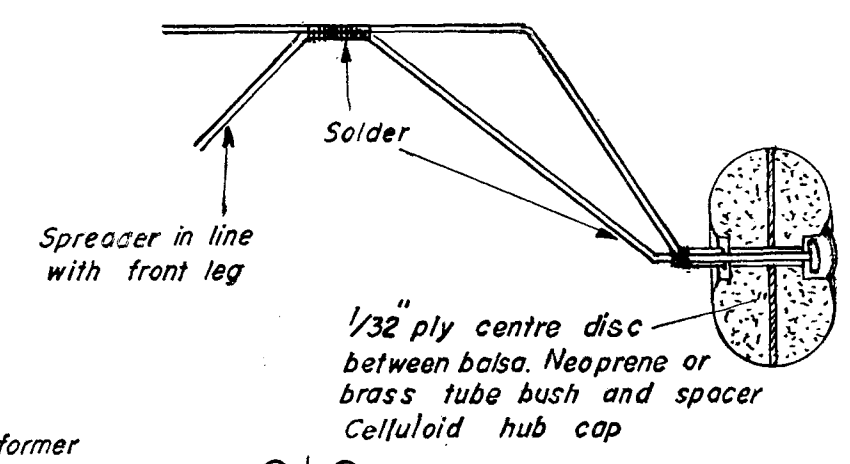
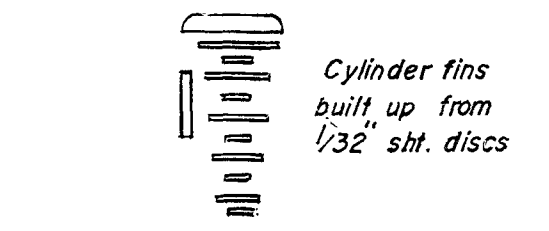
MATERIALS LIST

Six 3/32 x 3/32 x 36 in. balsa	One Balsa Pak
One 3/32 x 3/16 x 36 in. balsa	One sheet lightweight tissue
One 3/32 x 1/4 x 36 in. balsa	Cement
One 1/16 x 3 x 36 in. balsa	Small tin dope
One 3/32 x 2 x 36 in. balsa	Thinners
One 22 s.w.g. piano wire	Humbrol red and white

PRESENTED WITH THE SEPTEMBER 1963 ISSUE OF MODEL AIRCRAFT



1/16" Rocker housing and push rod tubes



3/32 sq reinforcing for U.C. attachment
F1 - F6 1/16 sht medium