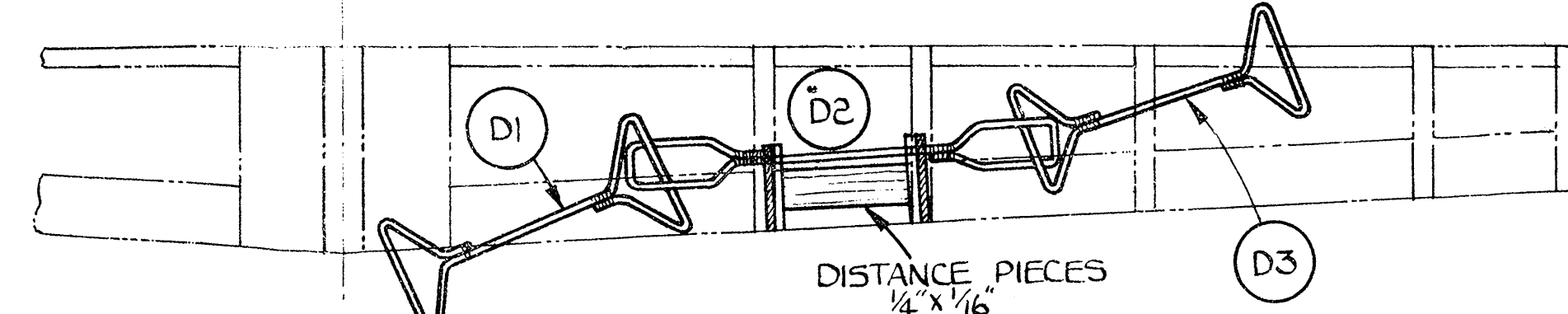


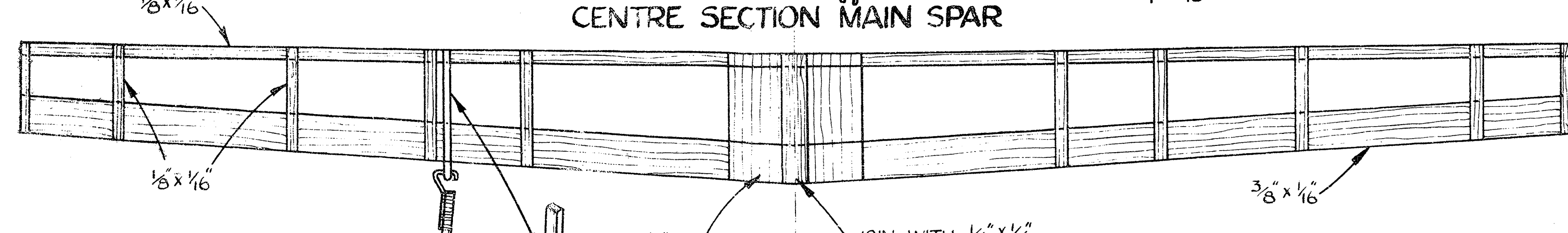
**1" TO THE SHORT SCION**  
 INCORPORATING "MOORE"  
 DRIVE - PATENT N° 514974  
 DESIGNED BY C. RUPERT MOORE A.R.C.A.  
 COPYRIGHT OF THE AEROMODELLERS PLANS SERVICE LTD.  
 38, CLARENDON ROAD, WATFORD, HERTS.

**SPAN: 42" LENGTH: 31 1/2"**

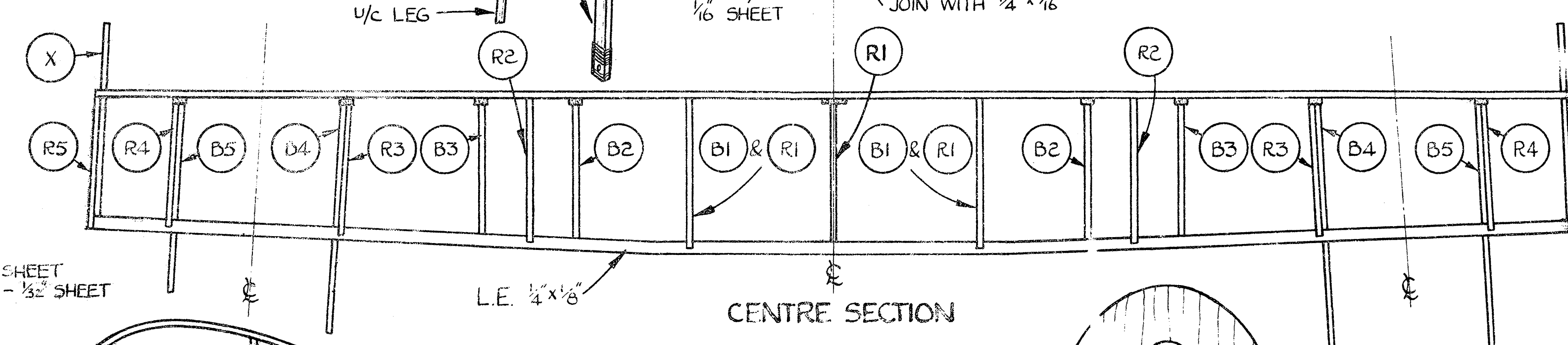
FRONT VIEW OF PORT WING DRIVE



CENTRE SECTION MAIN SPAR



CENTRE SECTION



**LIST OF MATERIALS**

WOOD			
N° REQUIRED	DIMENSIONS	MATERIAL	
10	36 x 3/2 x 3/2	HARD Balsa	
10	36 x 1/2 x 1/2	" "	
10	36 x 1/8 x 1/8	BIRCH	
10	36 x 3/8 x 1/8	HARD Balsa	
10	36 x 3/16 x 1/8	" "	
10	36 x 1/4 x 1/8	" "	
10	36 x 1/8 x 1/4	MEDIUM " "	
10	36 x 1/2 x 1/2	" "	
10	36 x 2 x 1/2	BAMBOO	
10	36 x 1/4 x 1/8	HARDWOOD	
10	36 x 1/8 DIA	DOWEL	

WIRE			
LENGTH	GAUGE	TYPE	USED ON
4"	18	PIANO	1/2 LEG
2-13"	20	SILVER STEEL	TAIL AXLE
1-13"	16		STIRRUP
1-13"	16		FORKS
			SHAFTS

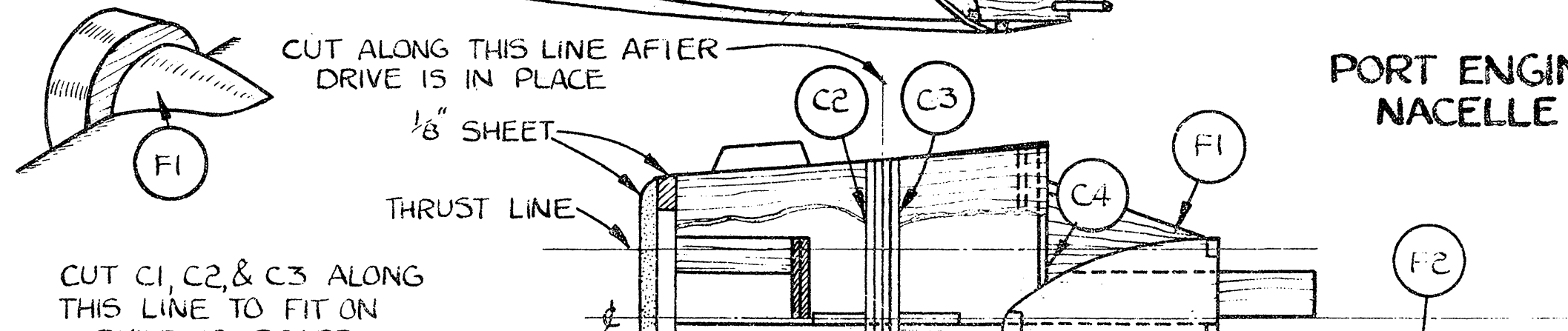
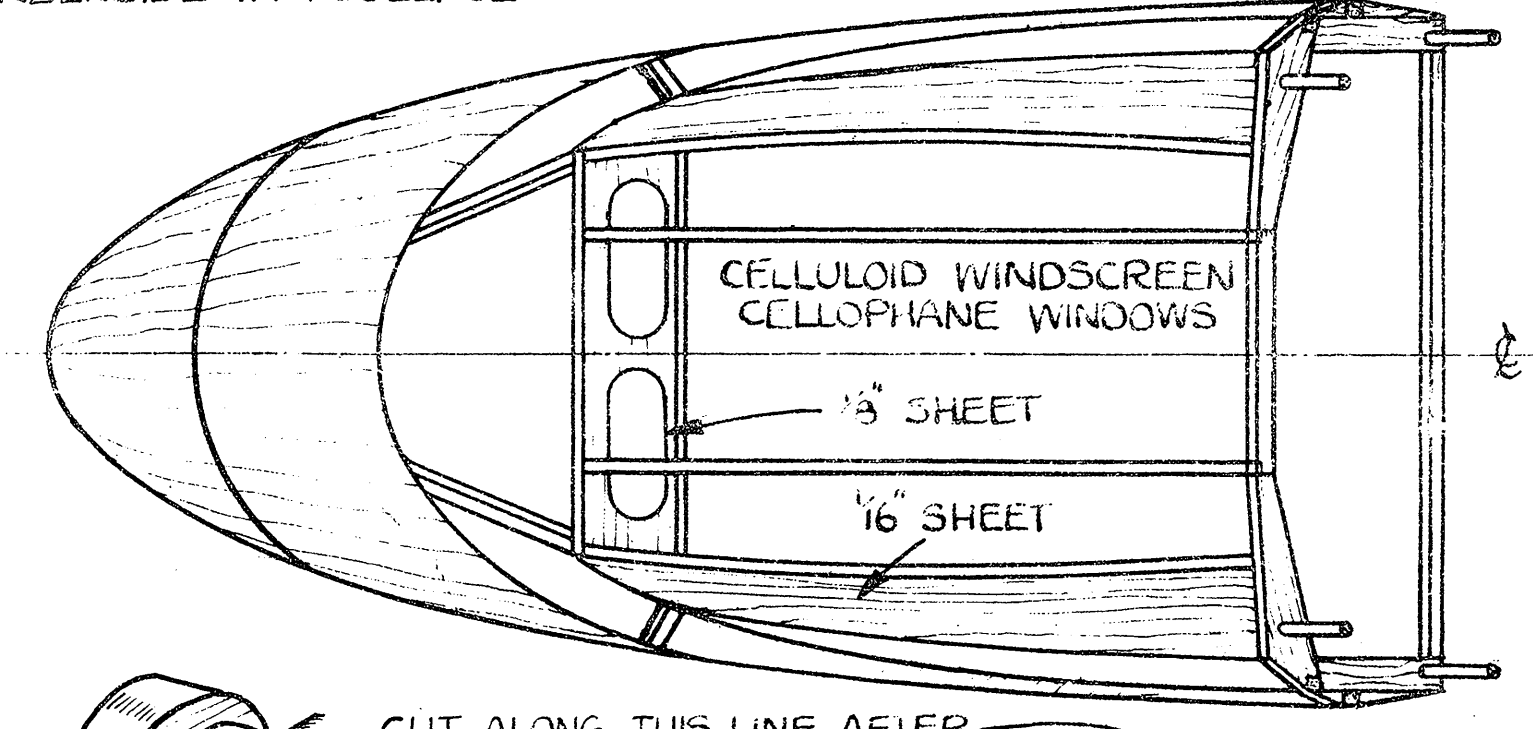
  

GEARS		BUSHES	
N° REQ	SIZE	N° REQ	SIZE
2	1/2 DIA.	1	1/8"
4	5/8"	1	3/8"

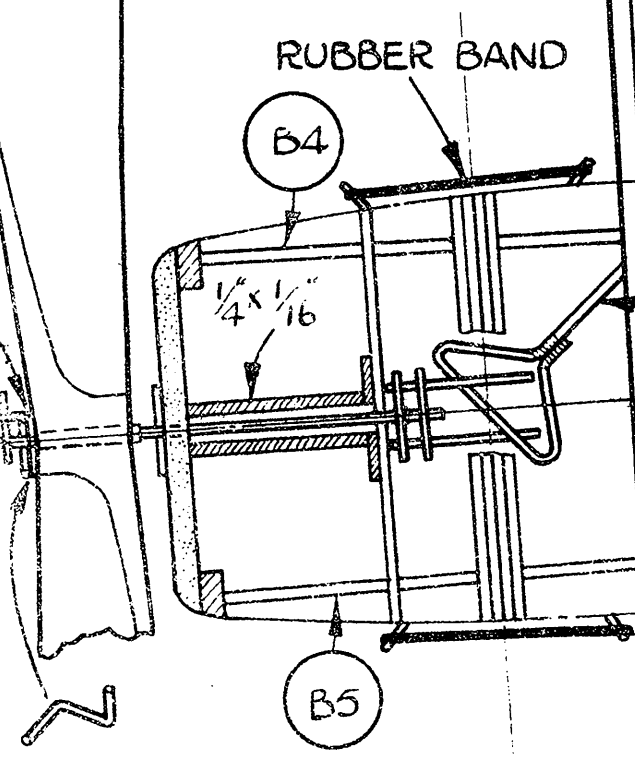
**MISCELLANEOUS**  
 SCRAPS OF SHEET TIN, COPPER FUSE WIRE  
 1/6" & 1 MM. BIRCH 3-PLY, THIN CELLULOID  
 & CELLOPHANE, DOPE, GELICENT & 11:5UE.

NOTE! COVER WHOLE OF L.E. OF THE CENTRE SECTION WITH 1/2 SHEET EXCEPT FOR UNDERSIDE IN FUSELAGE

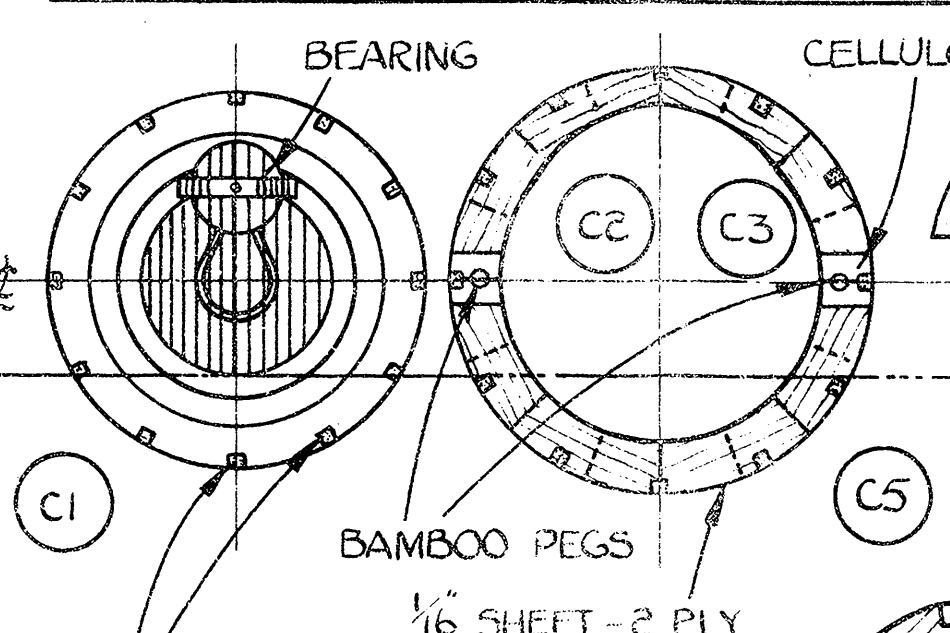


PORT ENGINE NACELLE

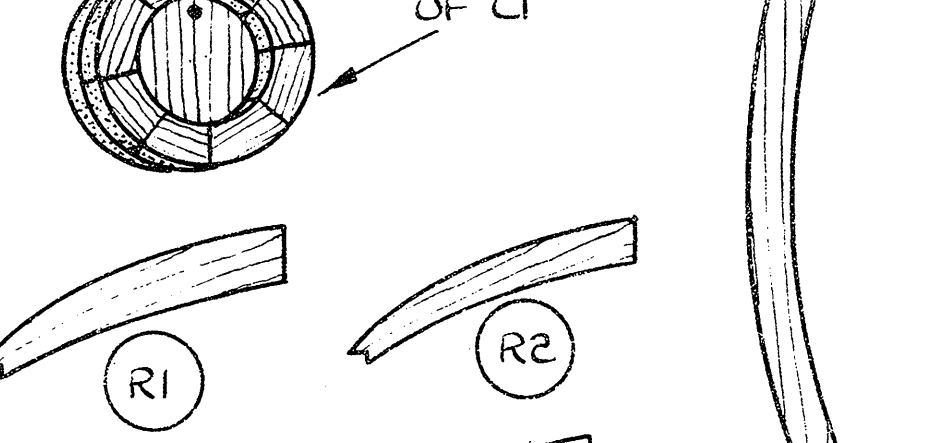
CENTRE SECTION DRAWN IN THIS VIEW FOR DRIVE REFERENCE ONLY. USE FULL PLAN OF CENTRE SECTION IN TOP LEFT HAND CORNER FOR ACTUAL CONSTRUCTION



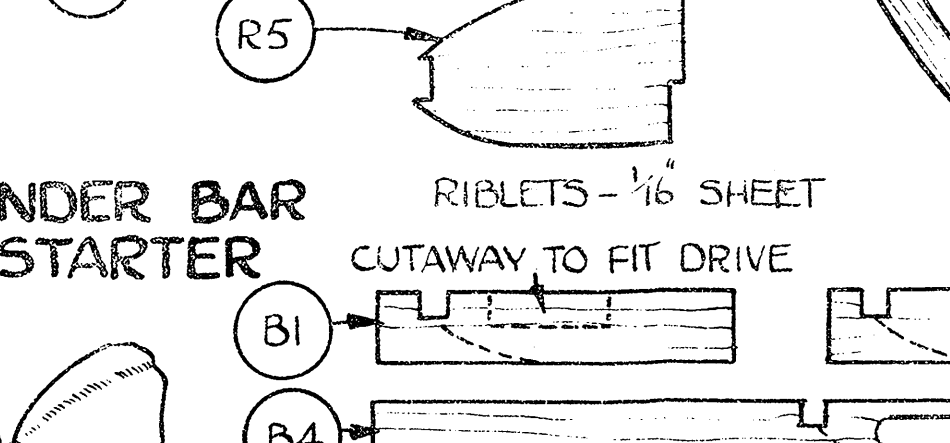
WING REST



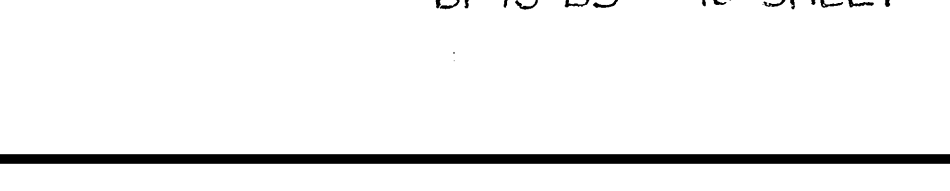
BEARING



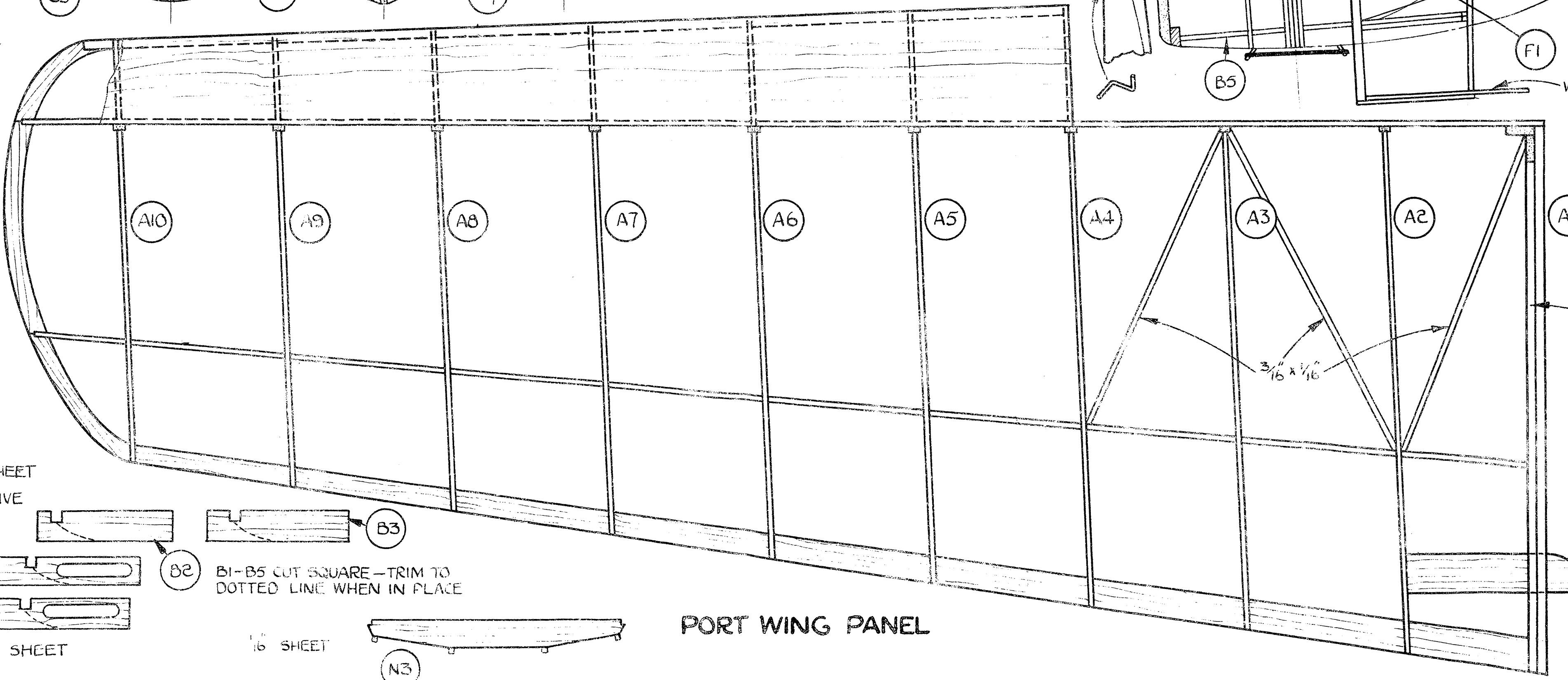
BAMBOO PEGS



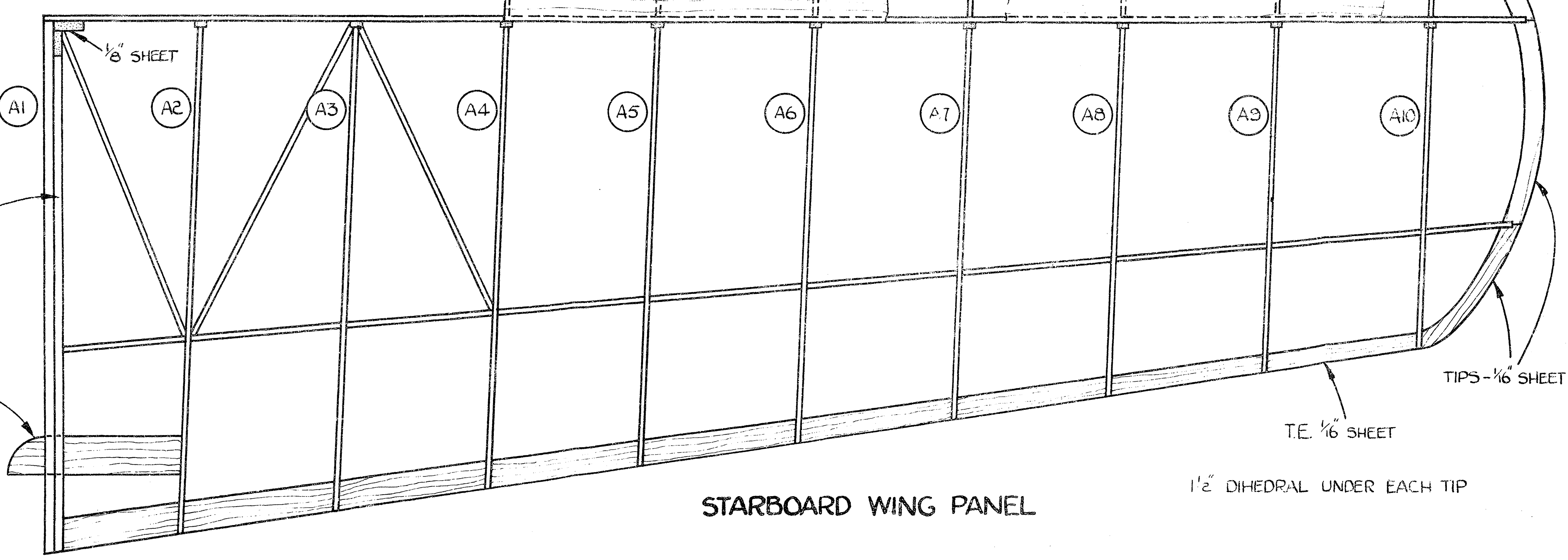
REAR VIEW OF C1



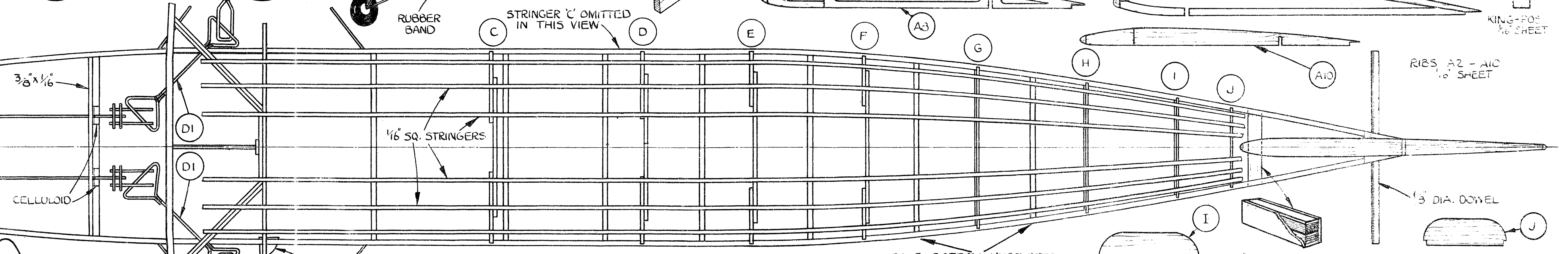
RIBS - 1/8 SHEET



PORT WING PANEL



STARBOARD WING PANEL



CELLULOID

CELLULOID PLATE

CELLULOID

CELLULOID

CELLULOID

CELLULOID

CELLULOID

CELLULOID

CELLULOID

CELLULOID

CELLULOID

CELLULOID

CELLULOID

CELLULOID

CELLULOID