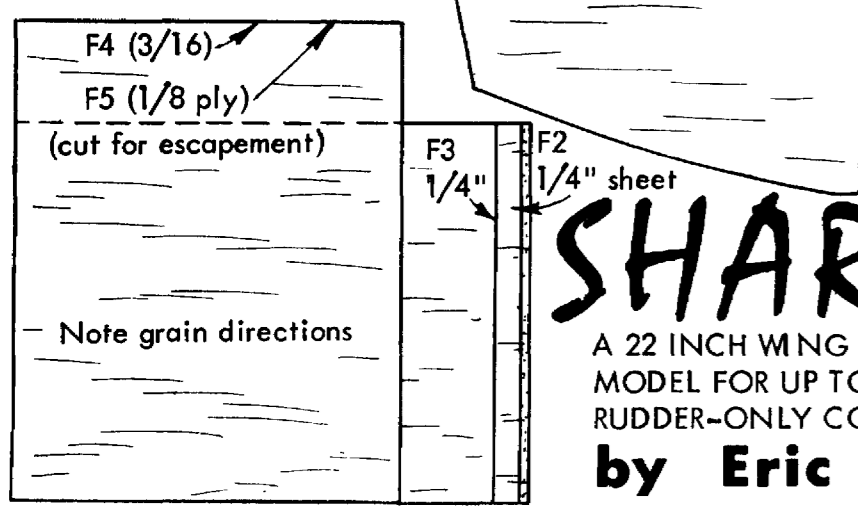


COPYRIGHT:
 MODEL AERONAUTICAL
 PRESS LTD.
 38 CLARENDON ROAD
 WATFORD, HERTS
 Issued free with July 1965
 'AEROMODELLER'



SHARKFACE

A 22 INCH WING SPAN RADIO CONTROL
 MODEL FOR UP TO 1.5 c.c. ENGINES AND
 RUDDER-ONLY CONTROL
 by Eric Clutton

