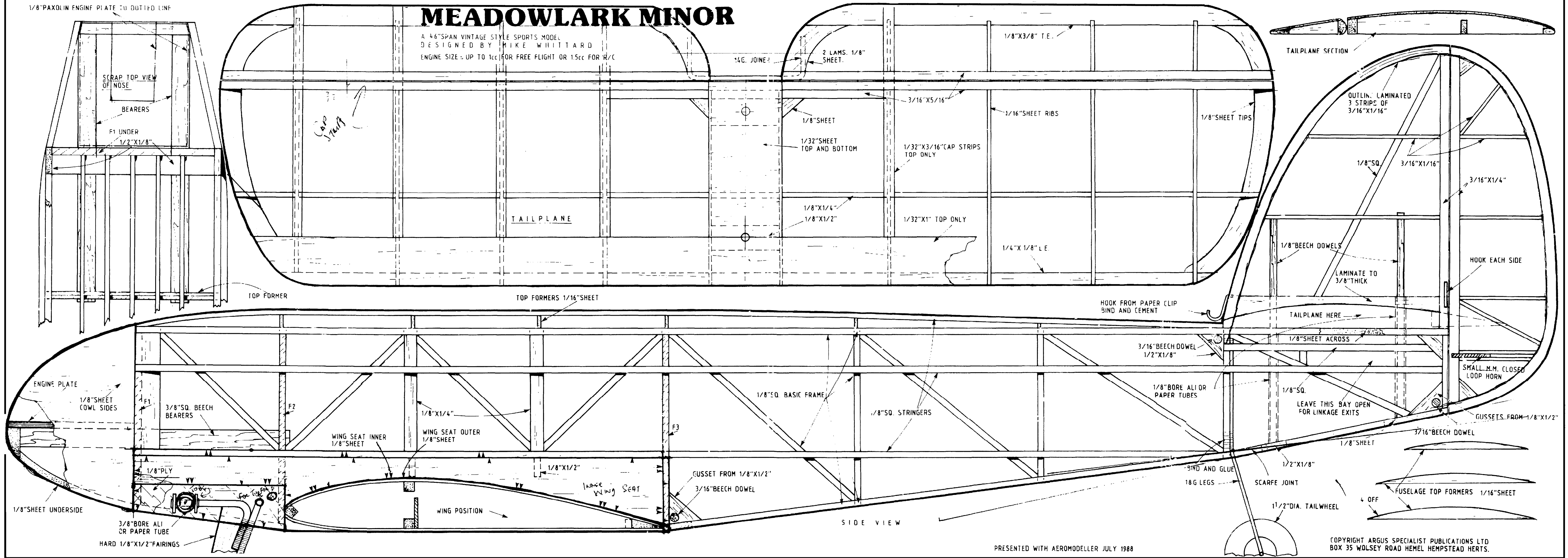


1/8" PAXOLIN ENGINE PLATE TO DOTTED LINE

MEADOWLARK MINOR

A 46" SPAN VINTAGE STYLE SPORTS MODEL
DESIGNED BY MIKE WHITTARD
ENGINE SIZE : UP TO 1cc FOR FREE FLIGHT OR 1.5cc FOR R/C



PRESENTED WITH AEROMODELLER JULY 1988

COPYRIGHT ARGUS SPECIALIST PUBLICATIONS LTD
BOX 35 WOLSEY ROAD HEMEL HEMPSTEAD HERTS.

