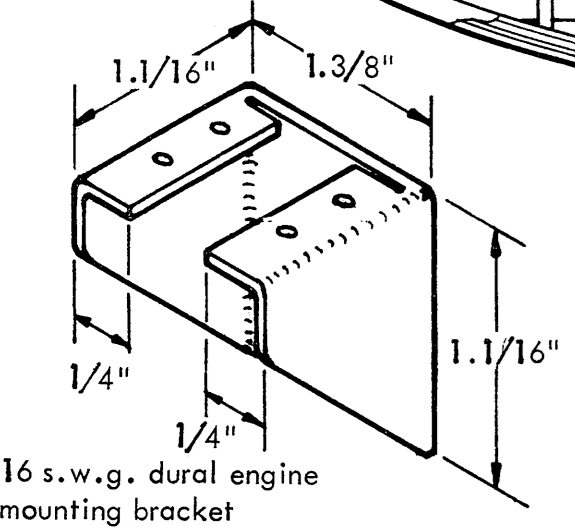


# 'LITTLE LITTLE VAGABOND'

by G.F.Elsegood

A 32" SPAN SPORT OR SINGLE CHANNEL MODEL SCALED DOWN FROM "LITTLE VAGABOND". A DESIGN FOR A PETROL ENGINE MODEL PUBLISHED IN THE MARCH 1945 AEROMODELLER BY G.W.W. HARRIS.

- Materials List**
- 1 sheet 1/16" x 4" x 36" soft balsa
  - 1 sheet 3/32" x 3" x 36" soft balsa
  - 1 sheet 1/8" x 3" x 36" med. balsa
  - 4 strips 1/8" x 1/8" x 36" hard balsa
  - 4 strips 1/8" x 1/8" x 36" spruce
  - 1 piece 1/16" ply, 6" x 2"
  - 1 piece 1/8" ply, 6" x 2"
  - 1 length each 1/8" & 3/16" dowel
  - 1 pair 1 1/2" dia. streamlined wheels



**Plan Value**  
4/0

