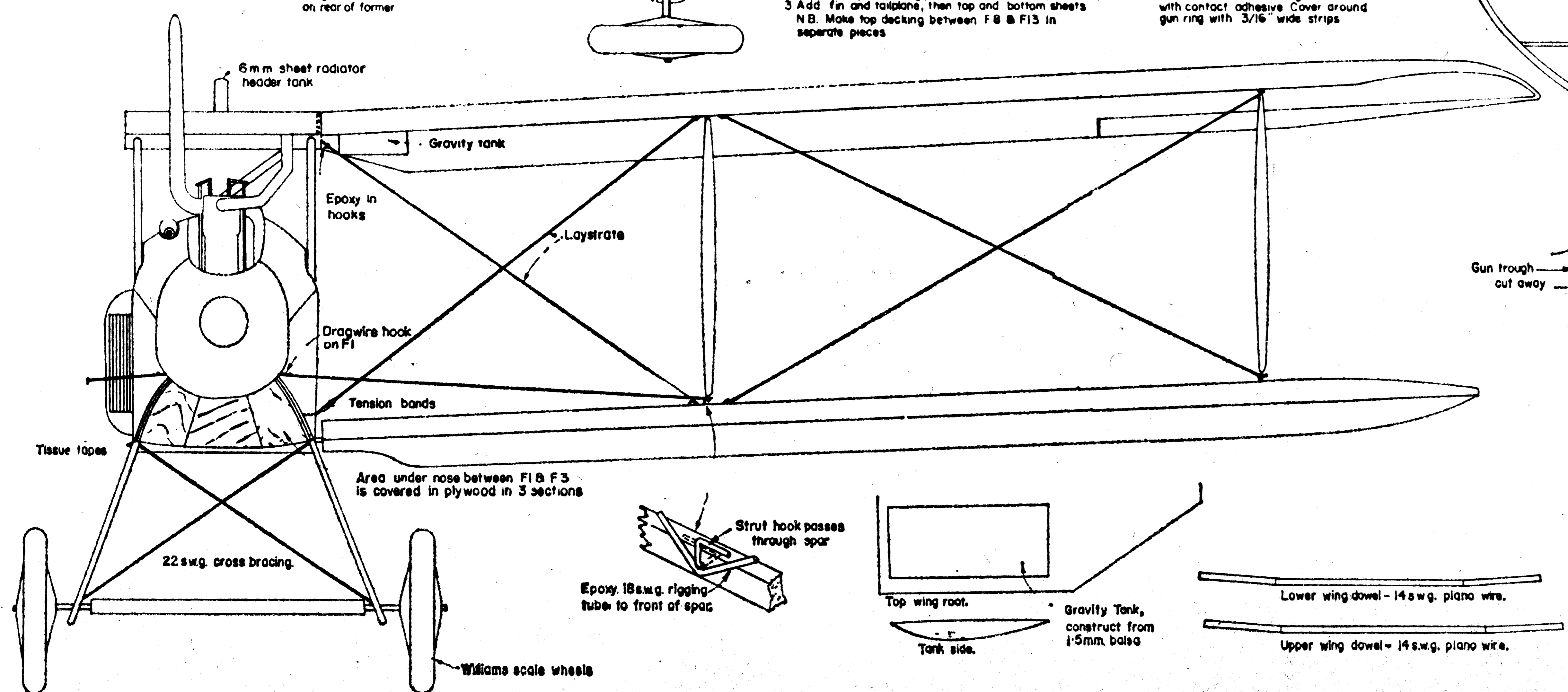
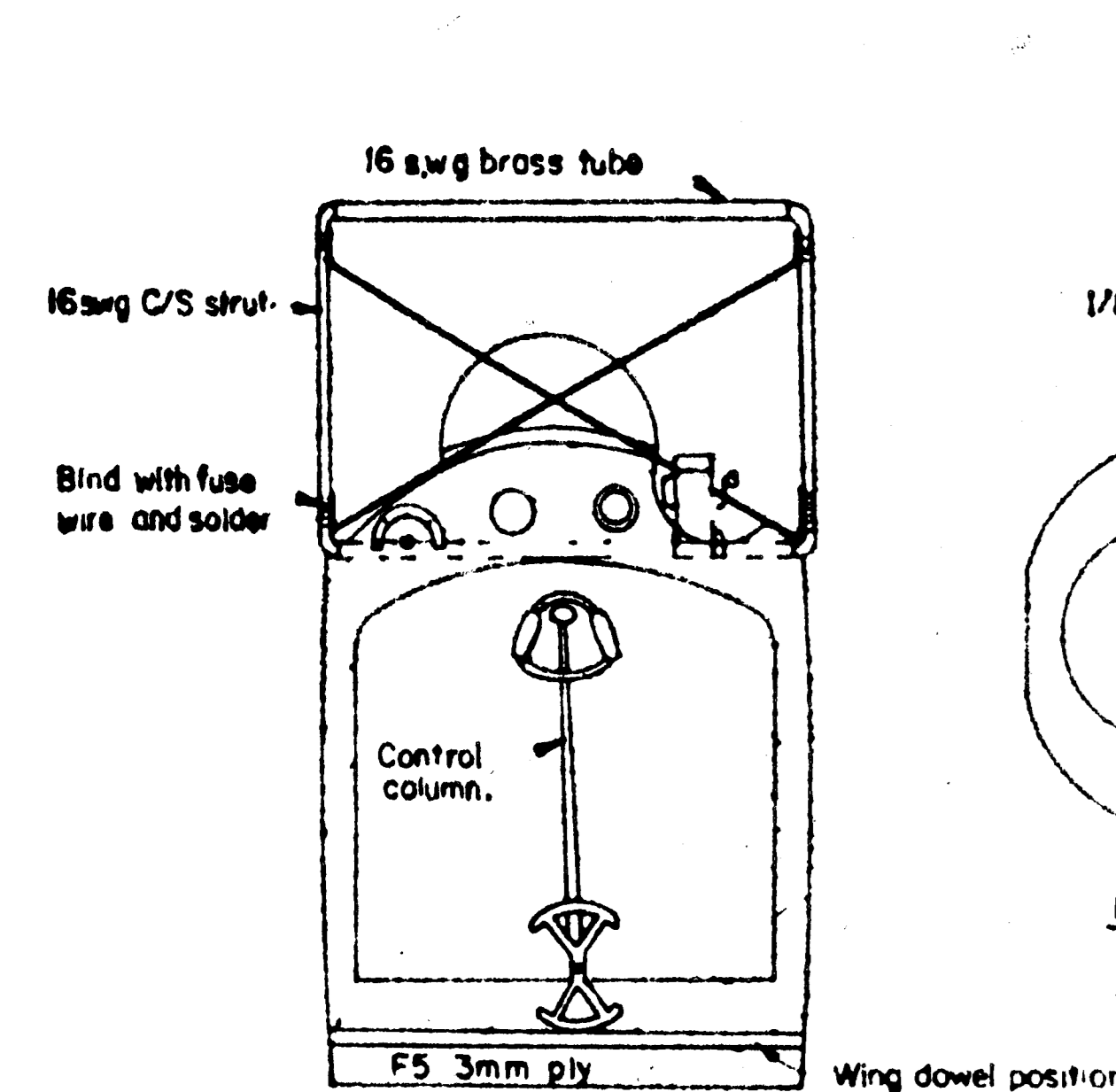
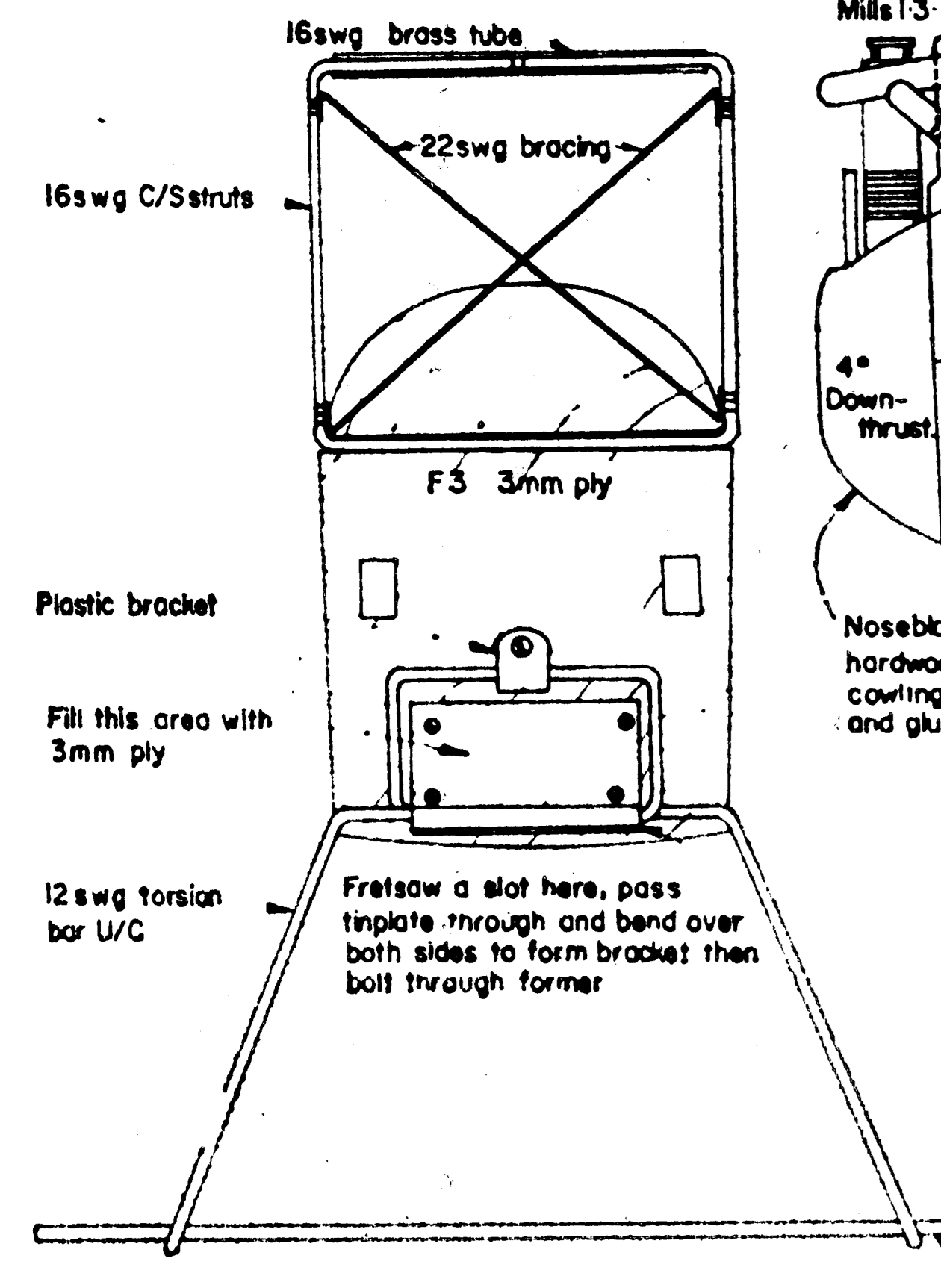


W.D. DENNIS designed by
W.D. DENNIS copyright of
The Aeromodeller Plans Service
 13-35 Bridge Street, Hemel Hempstead, Herts.

£1.50

FOR MORE SCALE DETAIL SEE M.A.P. PLAN PACK AJH2941



METRIC EQUIVALENTS FOR Balsa WOOD
 1/32" - 1mm
 1/16" - 1.5mm
 3/32" - 2.5mm
 1/8" - 3mm
 3/16" - 4.5mm
 1/4" - 6mm
 ALL WOOD Balsa UNLESS STATED OTHERWISE.

