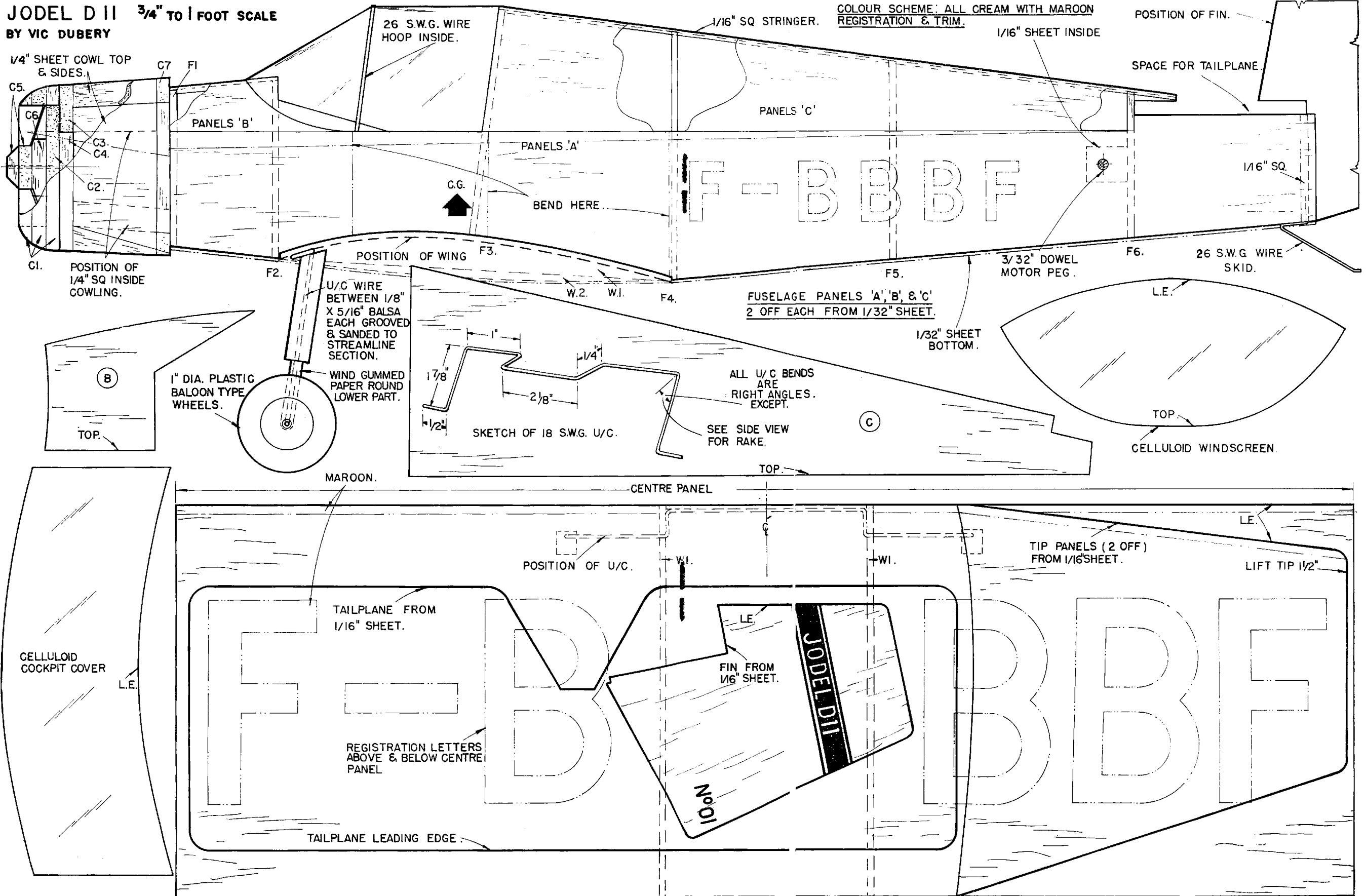
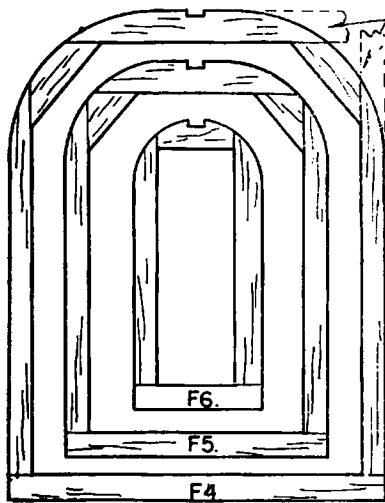


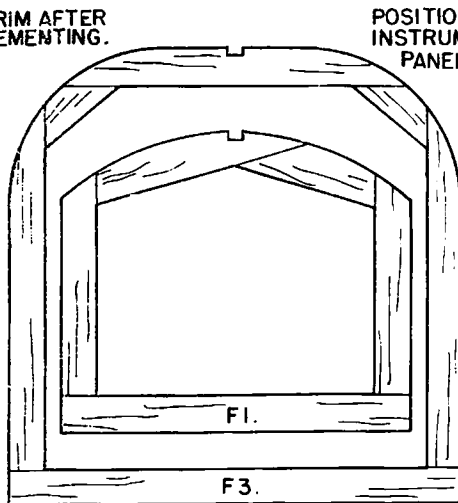
JODEL D II 3/4" TO 1 FOOT SCALE
 BY VIC DUBERY

COLOUR SCHEME: ALL CREAM WITH MAROON
 REGISTRATION & TRIM.

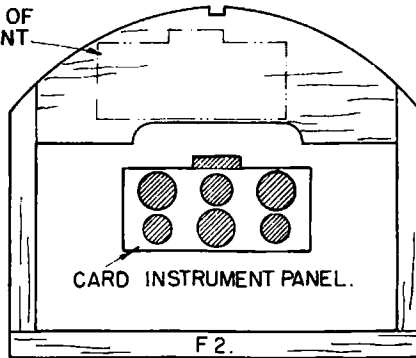




TRIM AFTER CEMENTING.



POSITION OF INSTRUMENT PANEL.

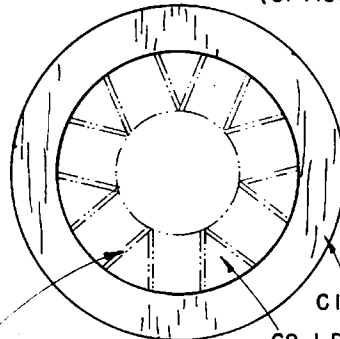
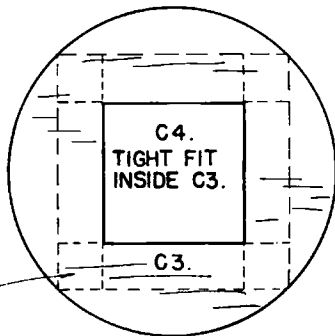
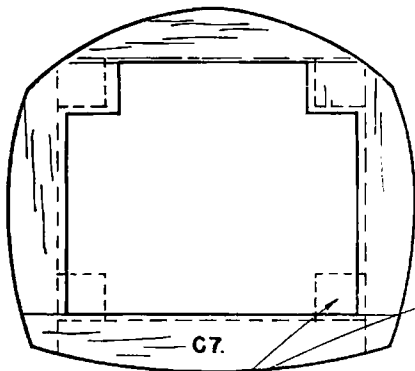


'F' PARTS : 1/16" SHEET.
'C' PARTS : 1/8" SHEET.

LOOP & ARM TYPE FREEWHEEL (OPTIONAL).

PROP BLANK FROM 1" SQ. BALSA.

(COMMERCIAL 7 1/2" PLASTIC PROP CUT TO 6 1/4" DIA. MAY BE USED.)

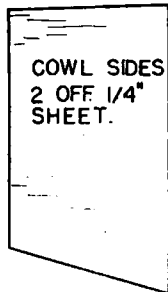
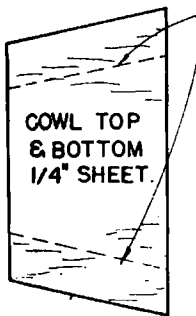


C1. 3 RINGS.

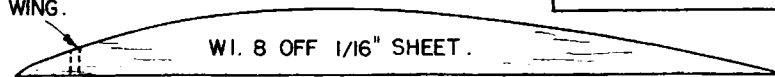
C2. 1 DISC LOOSE FIT INSIDE C1.

DOTTED LINES SHOW PUSH RODS (OLD GRAM. NEEDLES CUT TO LENGTH & PUSHED INTO C5, CEMENT OUTER ENDS TO C2.)

1/4" SQ. INSIDE CORNERS.



CUT TO CLEAR U/C AFTER FIXING TO WING.



W2. 2 OFF 1/16" SHEET.

POWER
4 STRANDS, 12" LONG
1/8" x 1/24" FLAT RUBBER

TRIM TO THIS PROFILE AFTER FINISHING BACK OF BLADES.

JODEL D II FULL SIZE