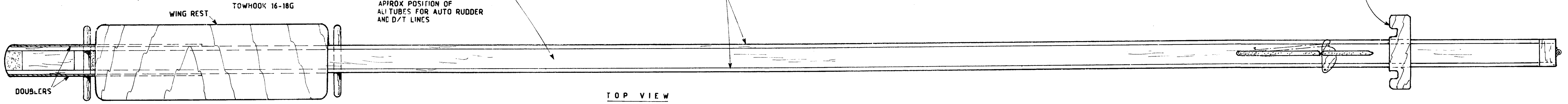
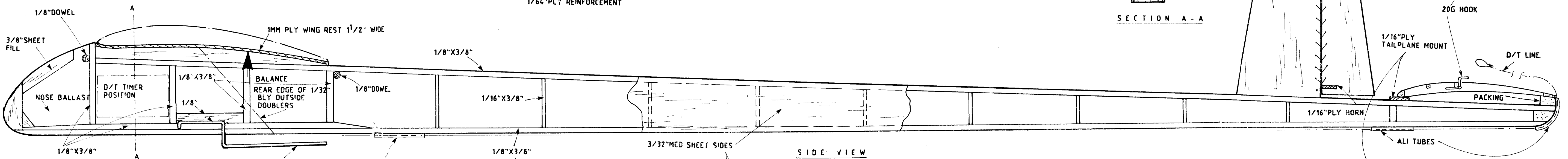
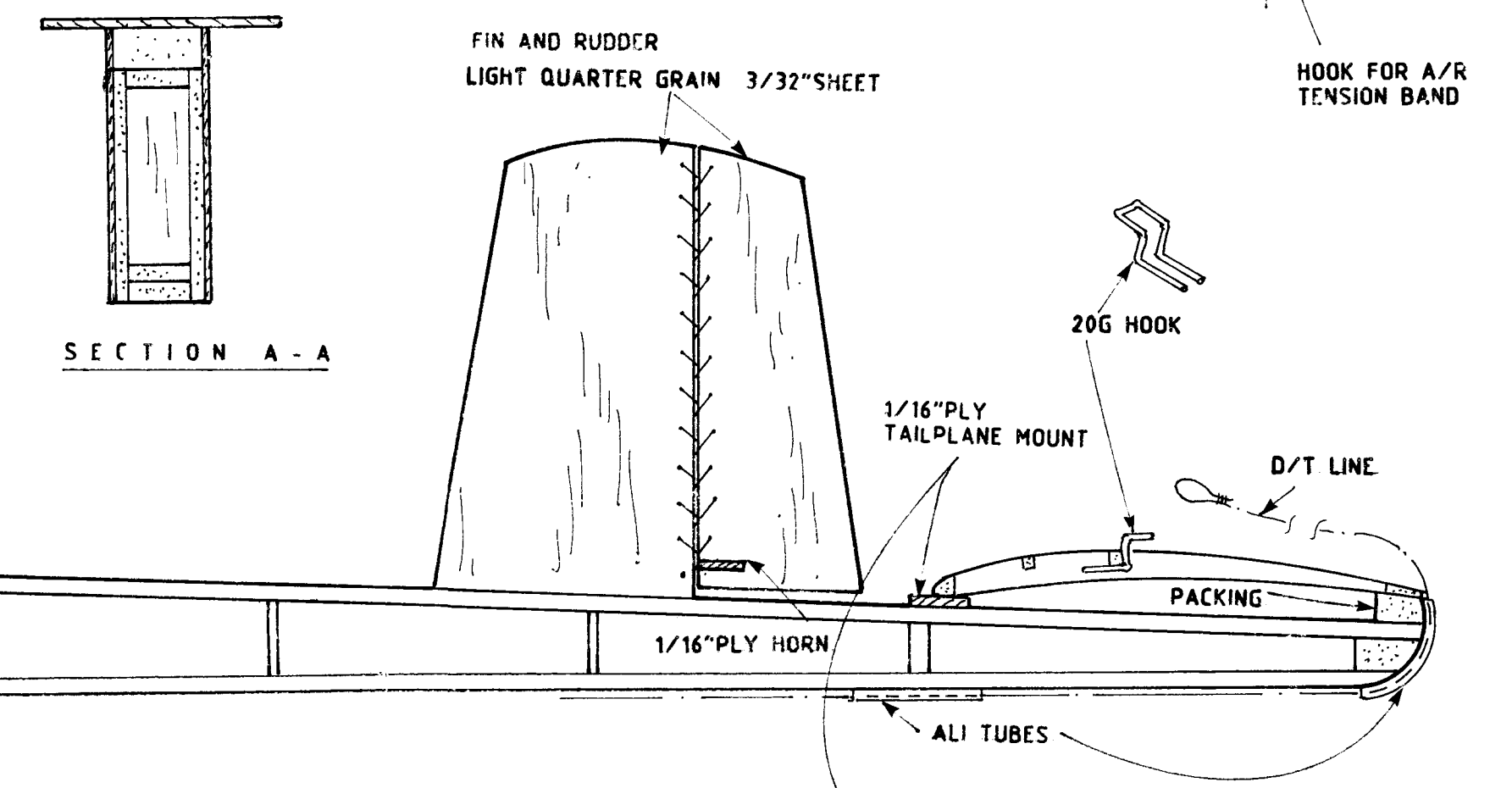
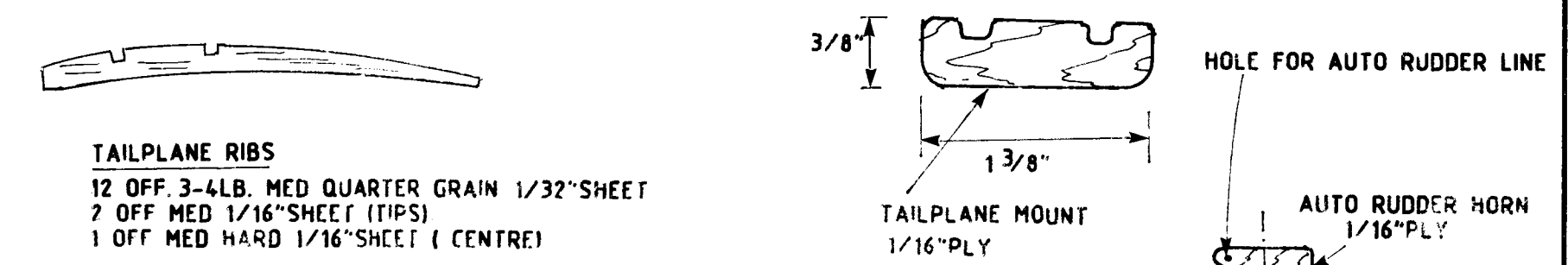
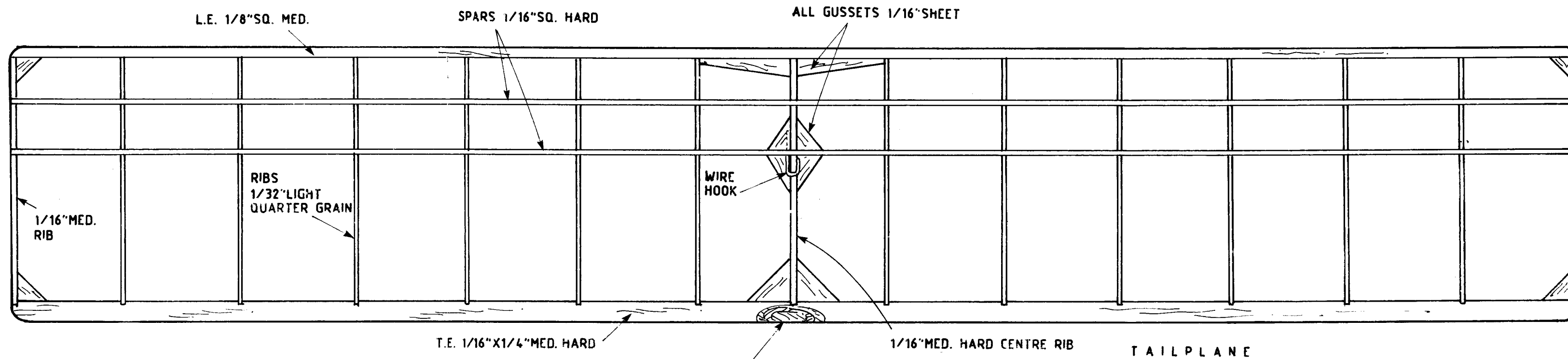


DRUID

A 53 1/2" SPAN A1 GLIDER
 DESIGNED BY JIM MOSELY
 (WITH ACKNOWLEDGEMENTS TO
 ELTON DREW)



L.E. 3/8"x1/4"

5" DIHEDRAL EACH TIP

TRIM BASIC RIB

7 LAMINATIONS OF 1/32" SHEET

ALL RIBS 1/16" SHEET

ALL GUSSETS 1/16" SHEET

ALL TIP SPARS 1/8" SQ

PORT TIP

T.E. 9/16"x1/8"

L.E. 3/8"x1/4"

STARBOARD TIP

TOP SPARS 1/8" SQ. SPRUCE

MAIN SPAR 3/16"x1/8" SPRUCE

1/16" PACKING

TIP

1/32" PACKING

TIP ROOT RIB ANGLE TEMPLATE

102.5°

43/8"

ALL OTHER GUSSETS 1/16" SHEET

3/32" GUSSETS HERE

ALL RIBS 1/16" SHEET

CENTRE SECTION (NO DIHEDRAL)

1/64" PLY REINFORCEMENT ON TOP SURFACE

T.E. 9/16"x1/8"

