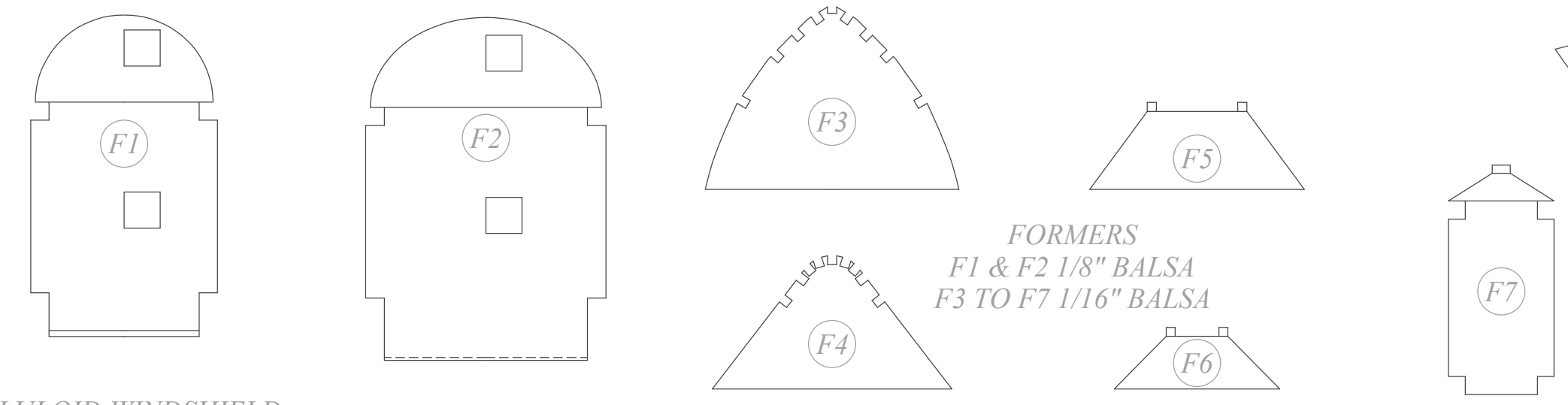


A 32" WINGSPAN, FREE FLIGHT SCALE MODEL FOR SMALL DIESELS

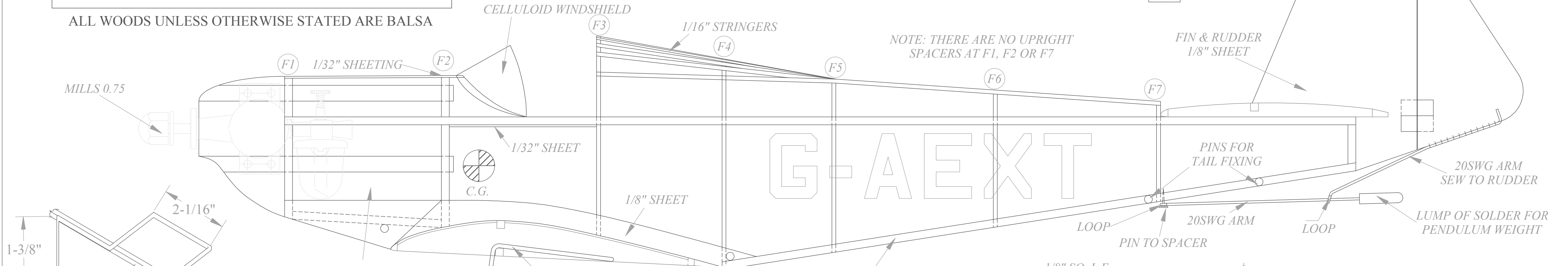
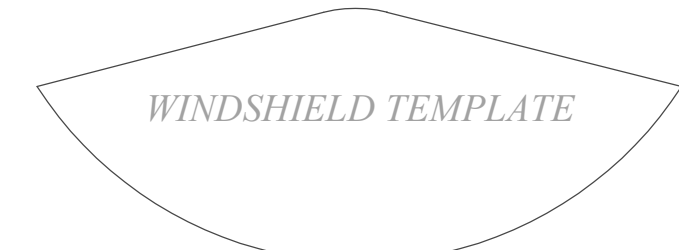
DART KITTEN
 Designed by
J. LAMBLE
 Copyright of
The Aeromodeller Plans Service
 38 CLARENDON RD. WATFORD HERTS

3/6

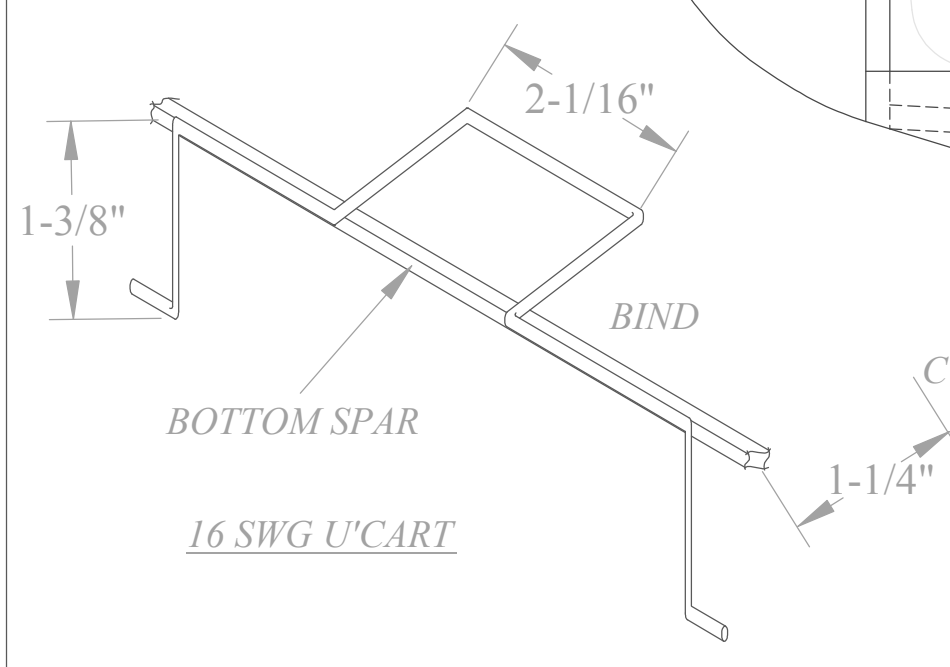
ALL WOODS UNLESS OTHERWISE STATED ARE BALS



FORMERS
F1 & F2 1/8" Balsa
F3 TO F7 1/16" Balsa



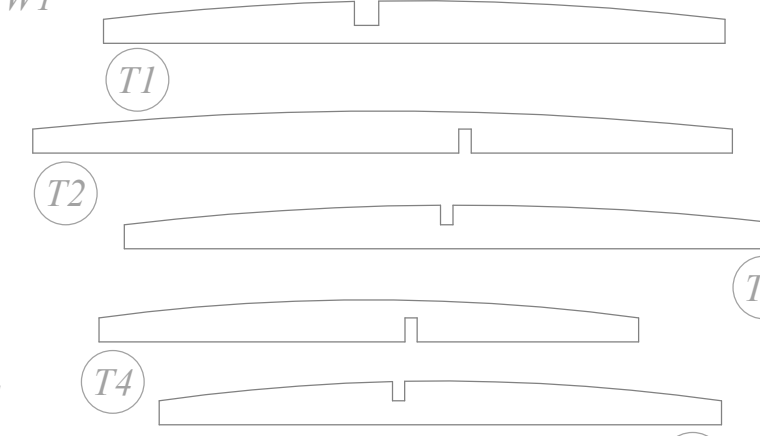
NOTE: THERE ARE NO UPRIGHT SPACERS AT F1, F2 OR F7



FILL STARB'D SIDE BAY WITH 1/32" SHEET CUT AWAY TO SUIT MOTOR

BIND U-CART TO BOTTOM SPAR & W1

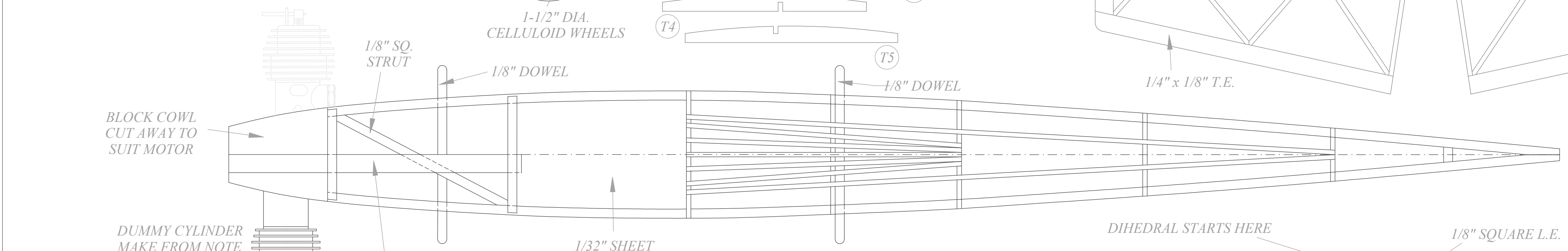
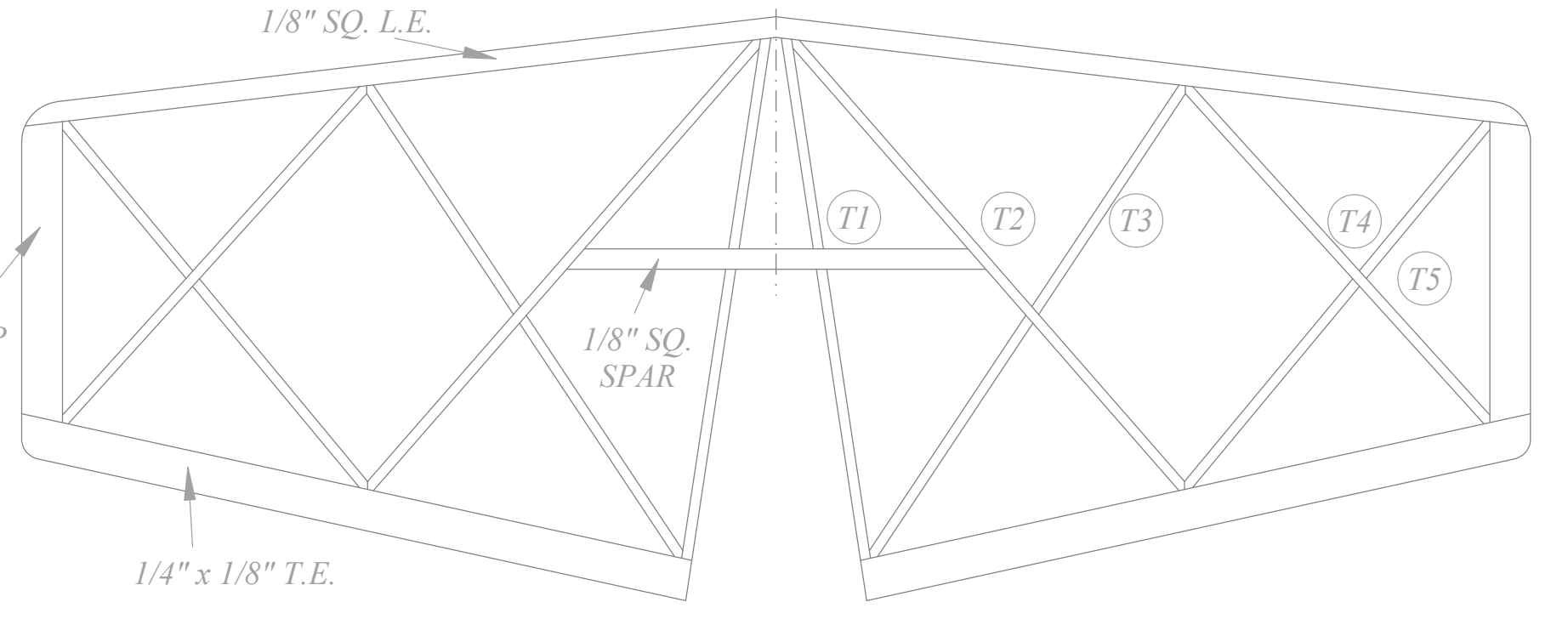
ALL LONGERONS 1/8" SQ. SPACERS 1/16" x 1/8"



ALL TAIL RIBS ARE 1/16" SHEET

1/4" x 1/8" TIP

1/4" x 1/8" T.E.



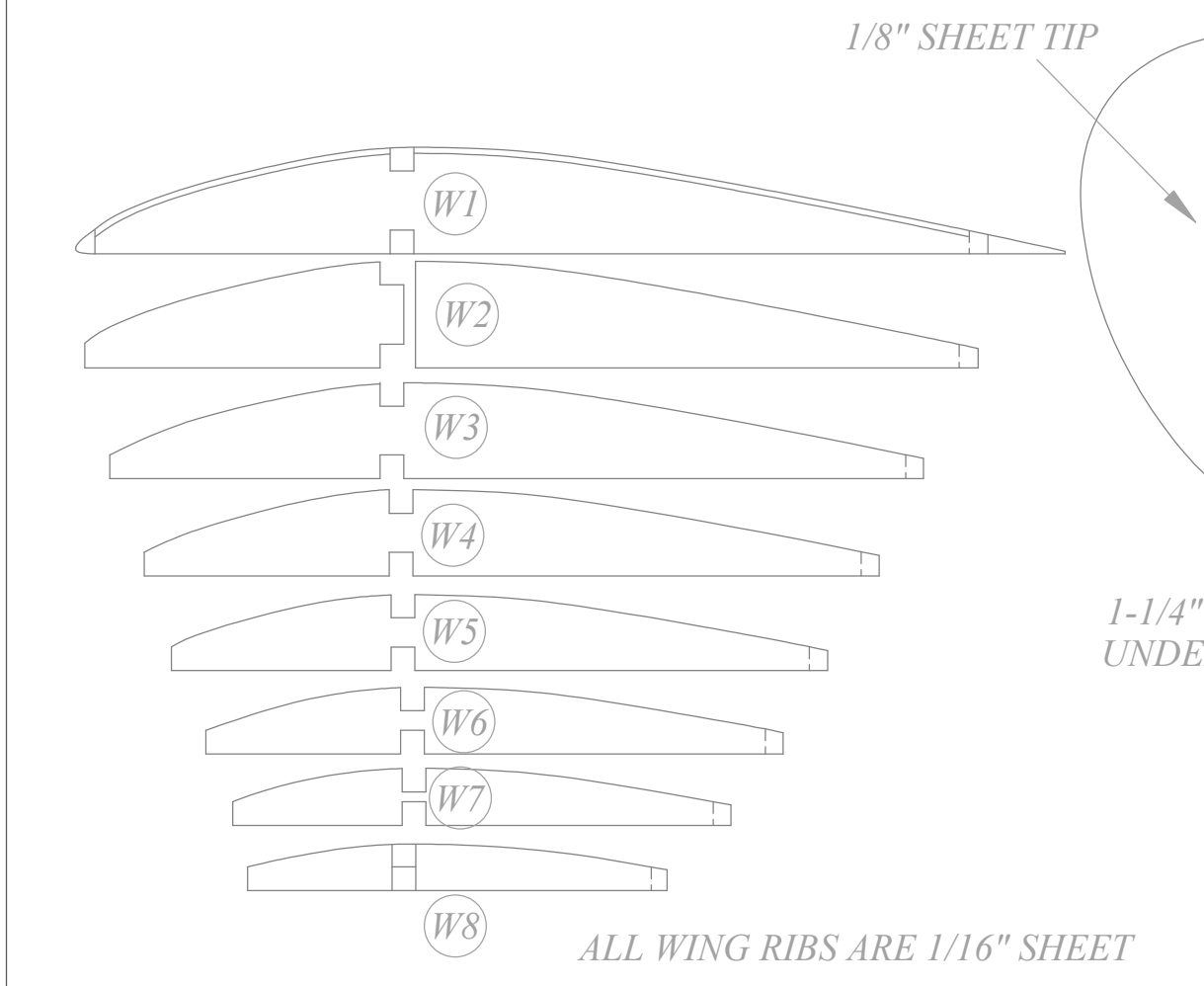
DUMMY CYLINDER MAKE FROM NOTE STAGGER AS ON ORIGINAL JAP MOTOR

1/4" SQ. BEECH ENGINE BEARERS

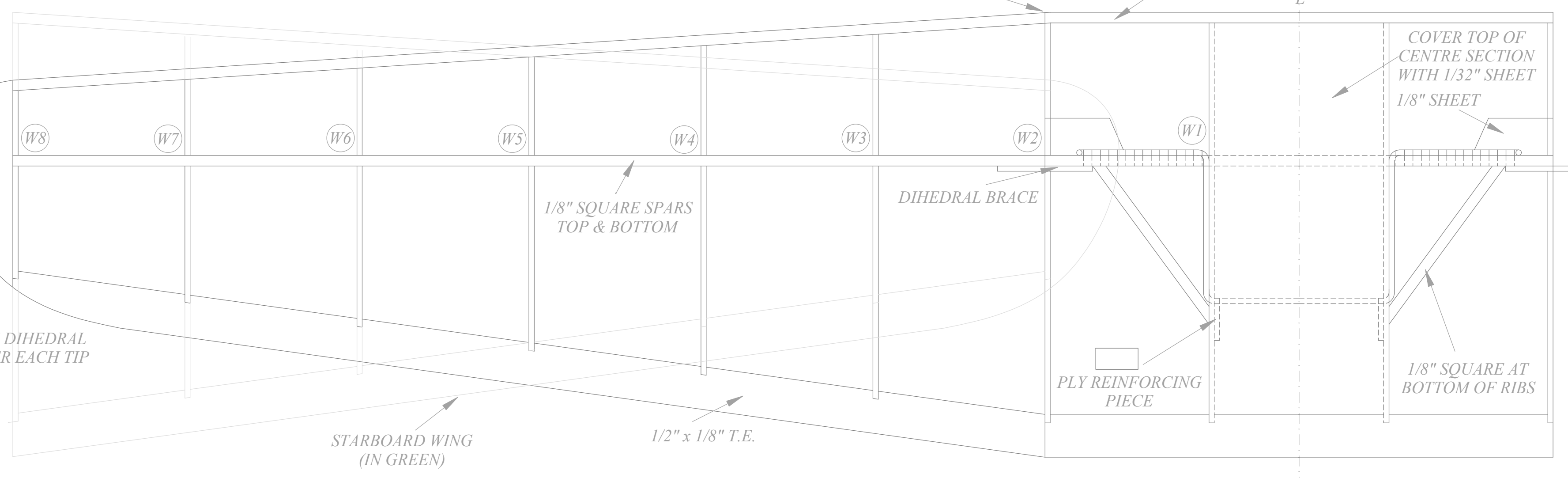
DIHEDRAL STARTS HERE

1/8" SQUARE L.E.

DIHEDRAL BRACE 2 OFF 1/16" SHEET



ALL WING RIBS ARE 1/16" SHEET



1/8" SQUARE SPARS TOP & BOTTOM

DIHEDRAL BRACE

PLY REINFORCING PIECE

COVER TOP OF CENTRE SECTION WITH 1/32" SHEET 1/8" SHEET

1/8" SQUARE AT BOTTOM OF RIBS

STARBOARD WING (IN GREEN)

1/2" x 1/8" T.E.