

K1, & K2. $\frac{1}{16}$ " SHEET
 CC, C1, C2, & C3. $\frac{1}{8}$ " SHEET

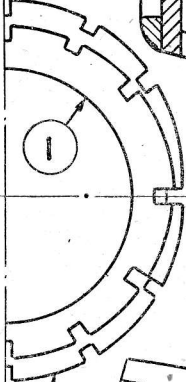
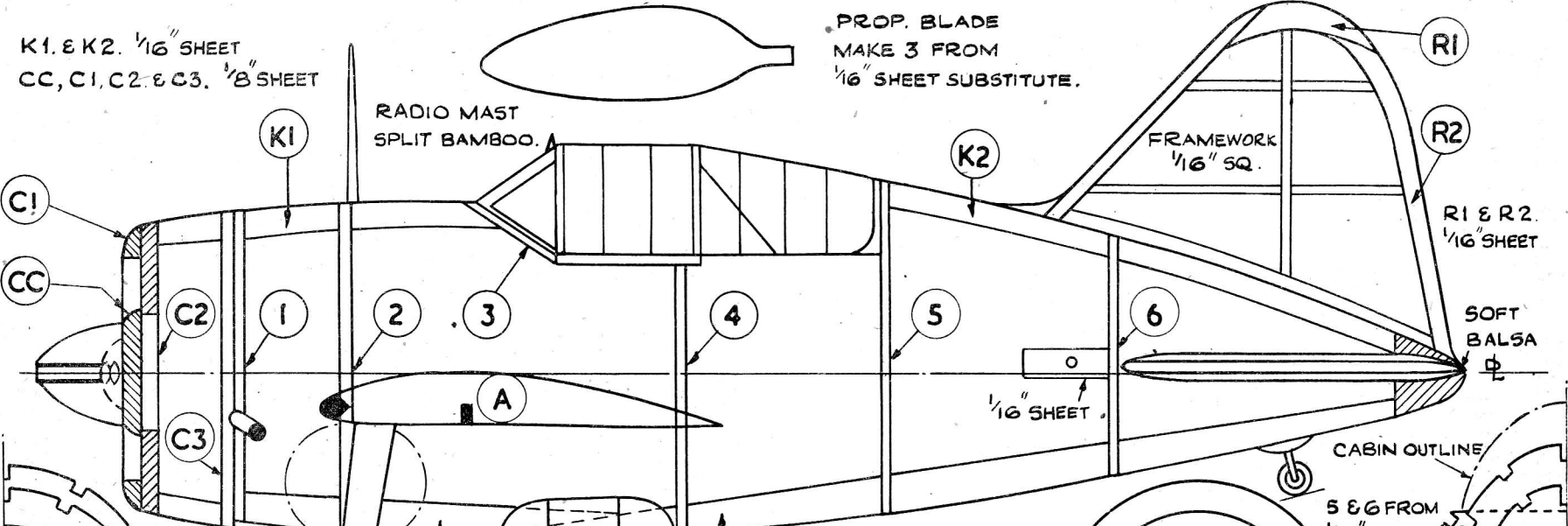
PROP. BLADE
 MAKE 3 FROM
 $\frac{1}{16}$ " SHEET SUBSTITUTE.

RADIO MAST
 SPLIT BAMBOO.

FRAMEWORK
 $\frac{1}{16}$ " SQ.

R1 & R2.
 $\frac{1}{16}$ " SHEET

SOFT
 BALSA
 $\frac{1}{8}$ "



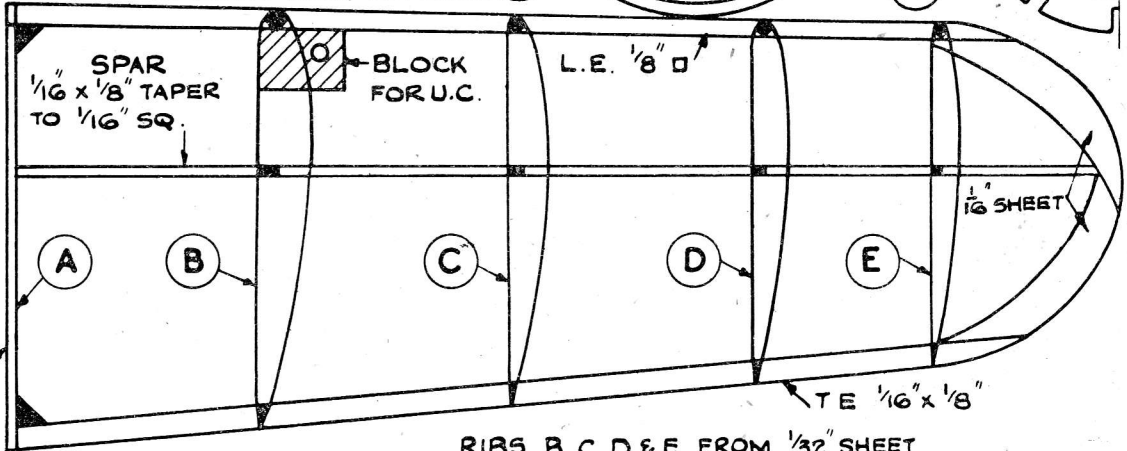
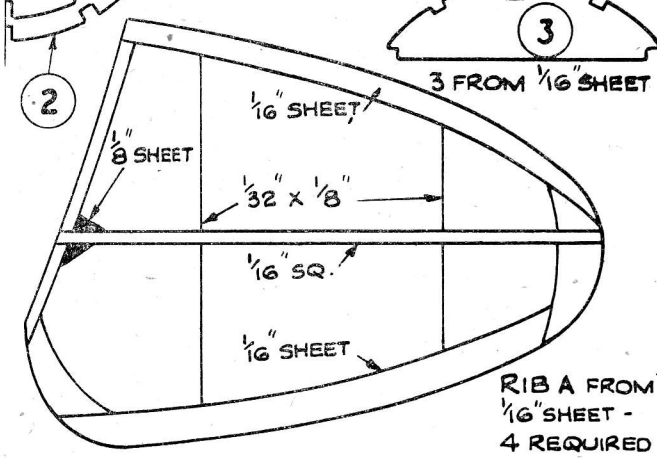
1, 2 & 4 FROM
 $\frac{3}{32}$ " SHEET

K3 & K4
 $\frac{1}{16}$ " SHEET

DIHEDRAL $\frac{3}{4}$ "

0.8" LONG 0.7" LONG

FRONT VIEW, NOT TO SCALE



RIBS B, C, D & E FROM $\frac{1}{32}$ " SHEET

CABIN OUTLINE

5 & 6 FROM
 $\frac{1}{16}$ " SHEET

NOTE :- RADIO MAST
 OFFSET TO
 STARB'D.