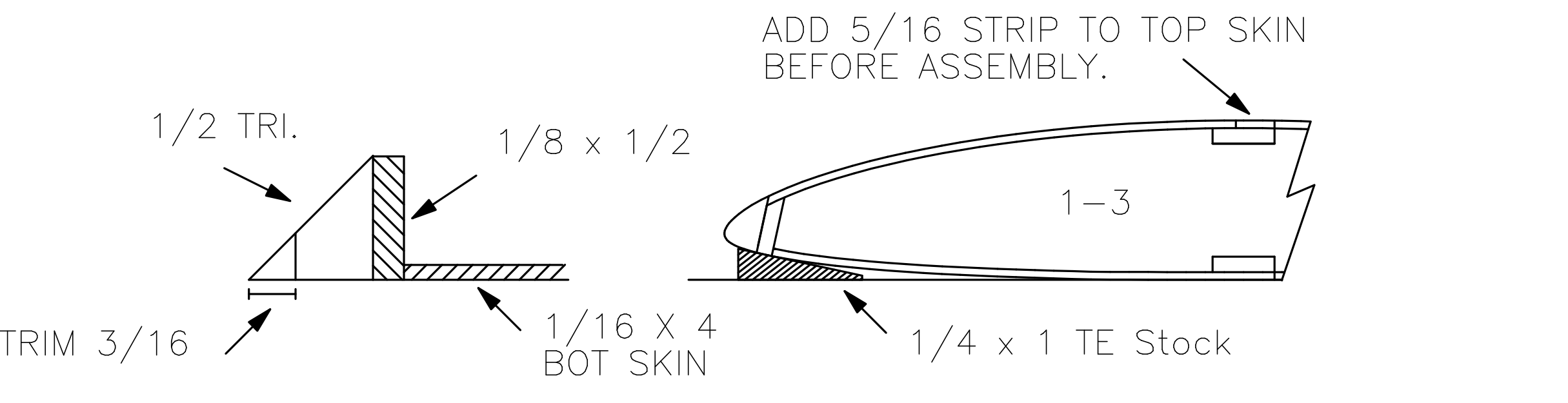
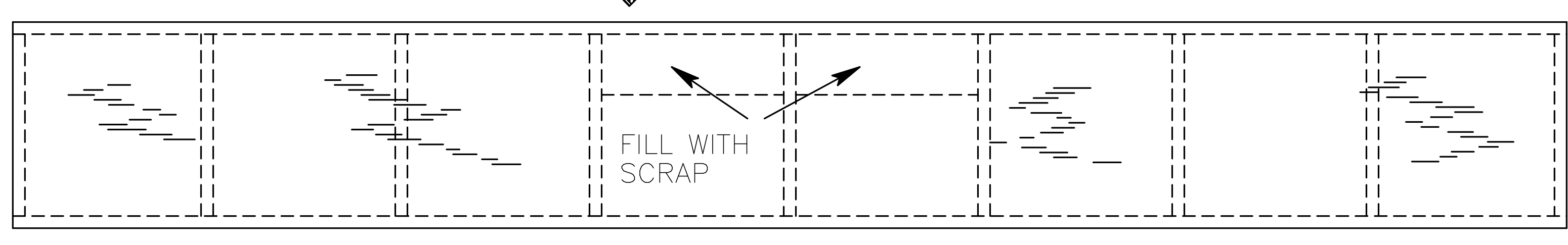
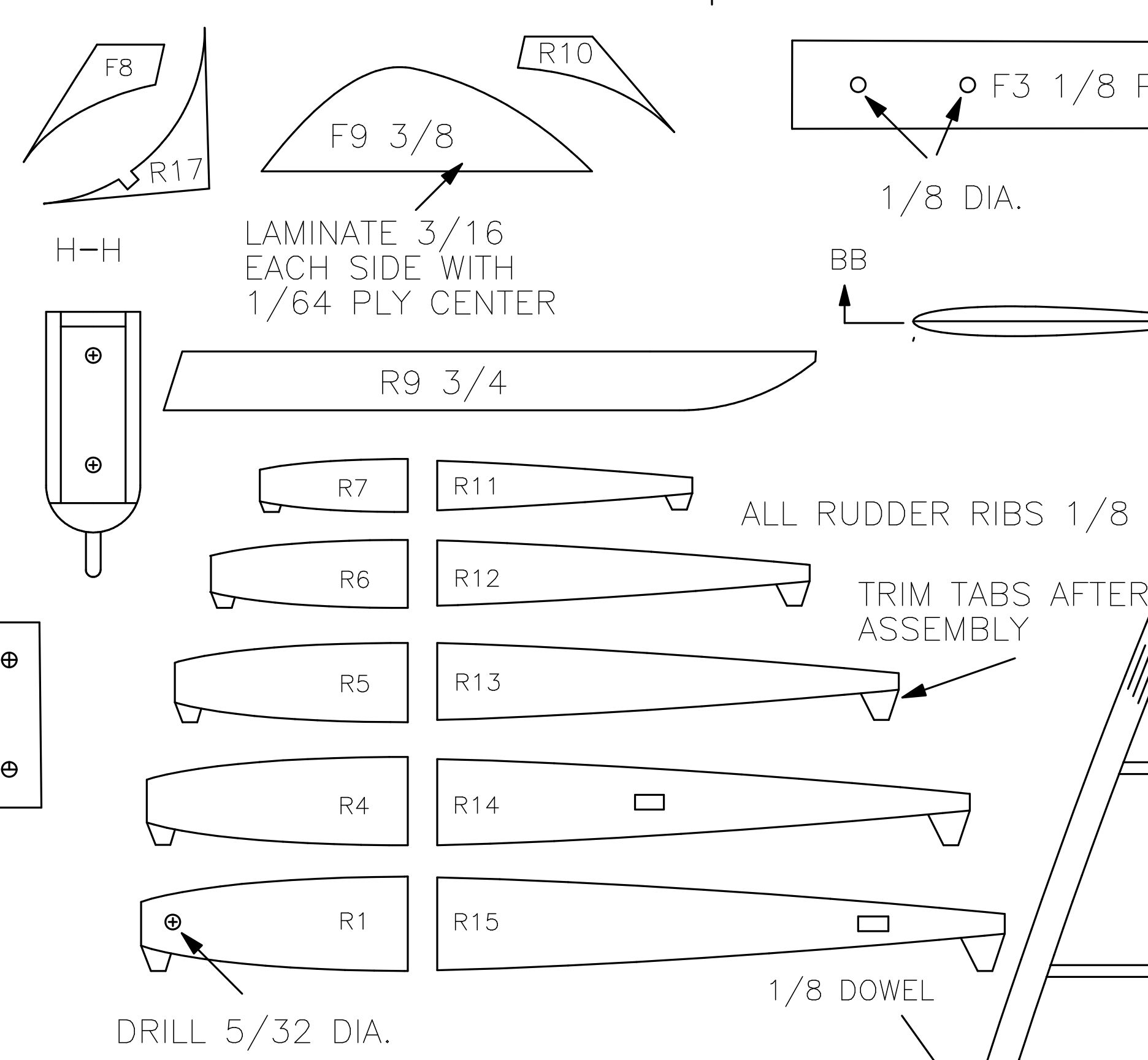
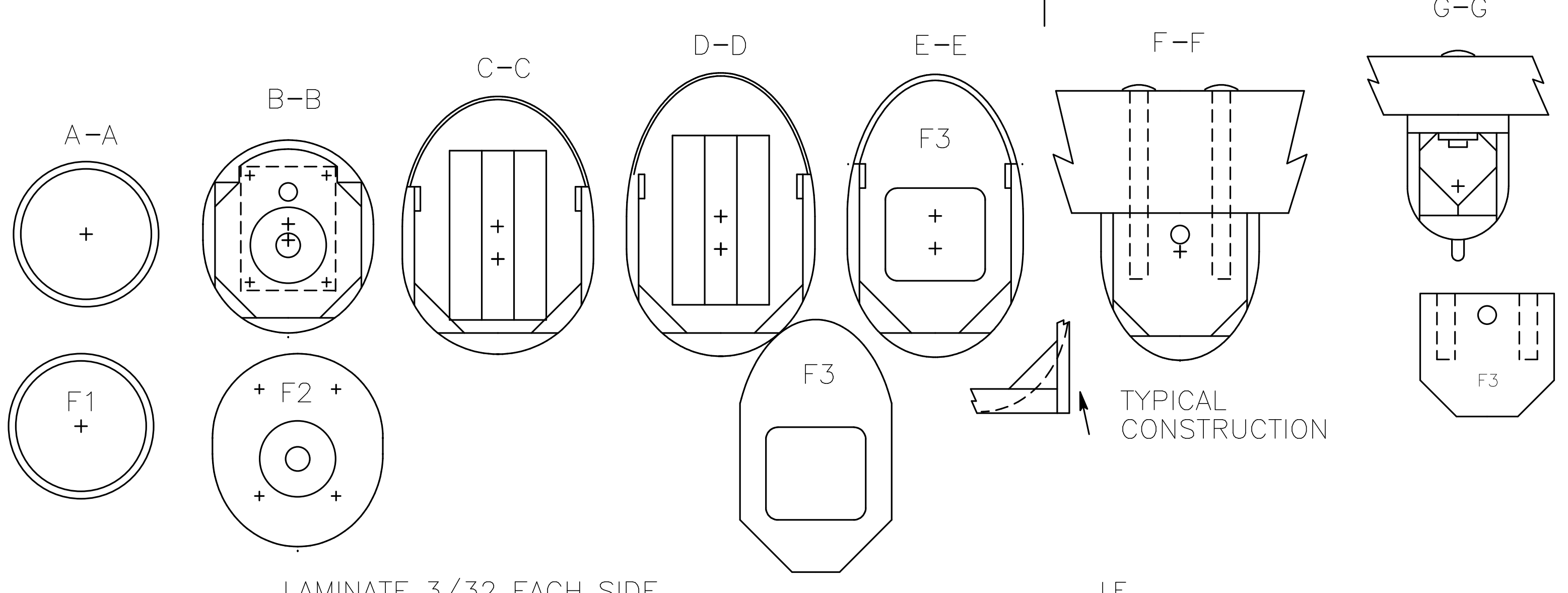
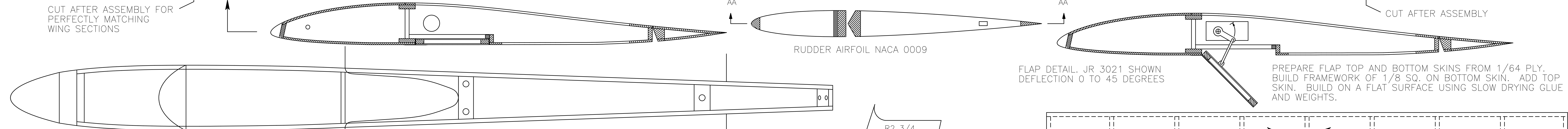
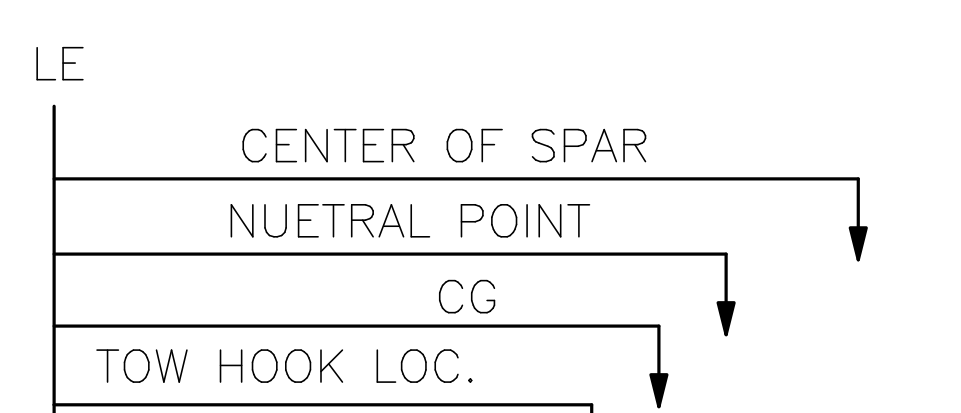
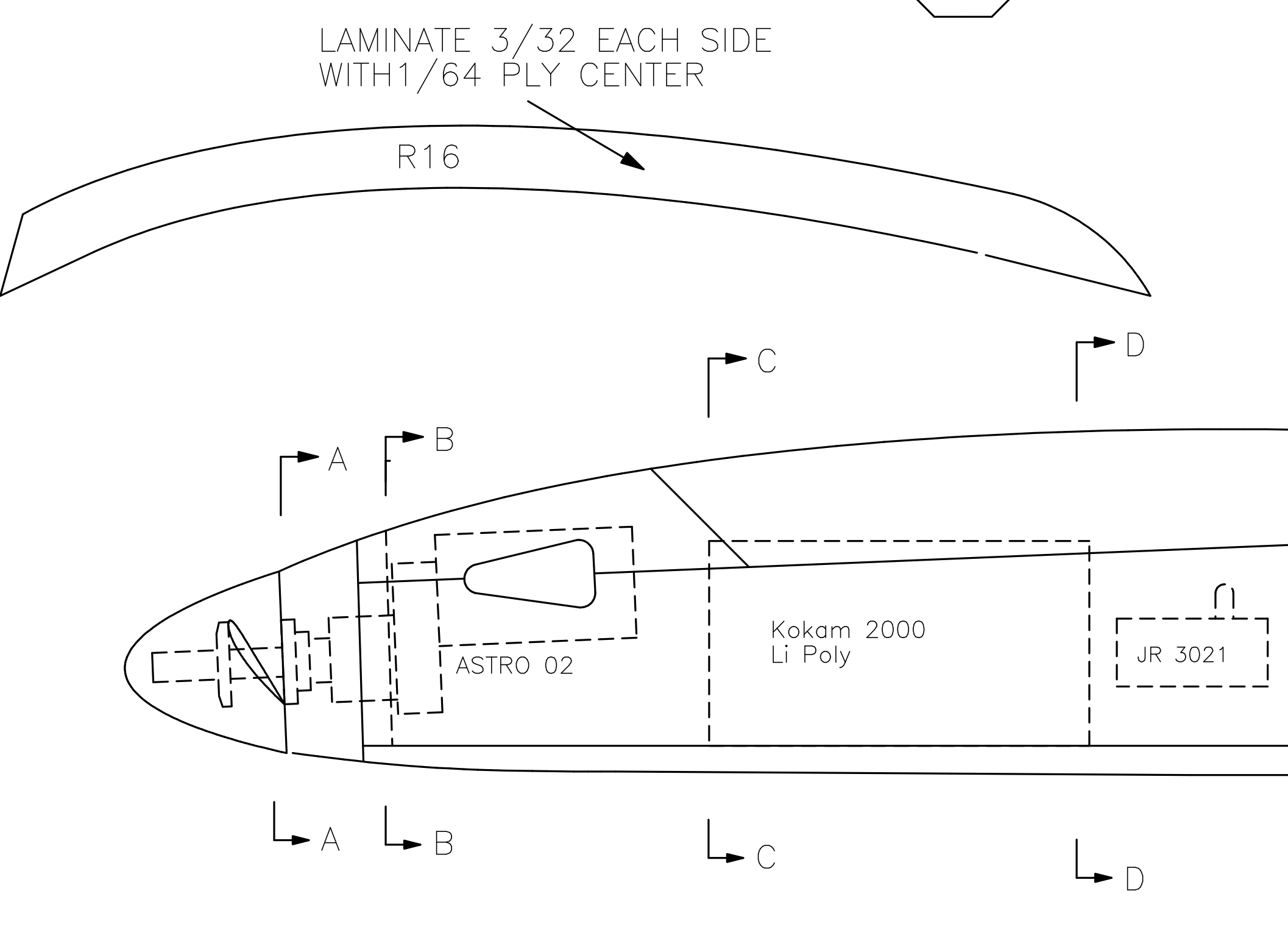


CUT AFTER ASSEMBLY FOR PERFECTLY MATCHING WING SECTIONS

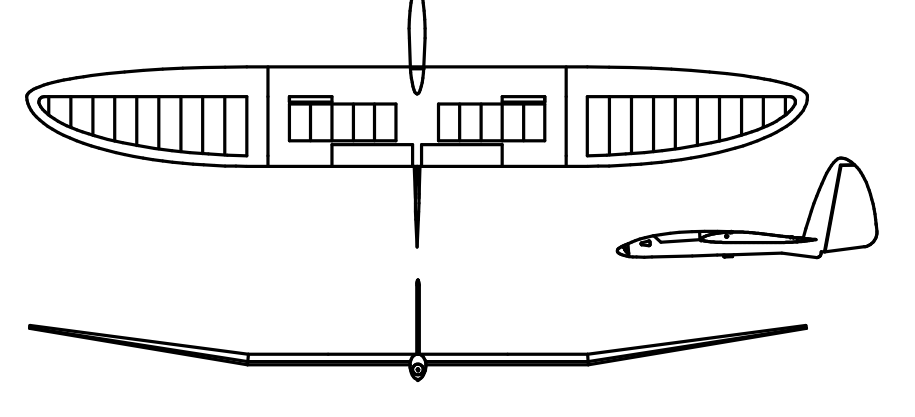
CUT AFTER ASSEMBLY



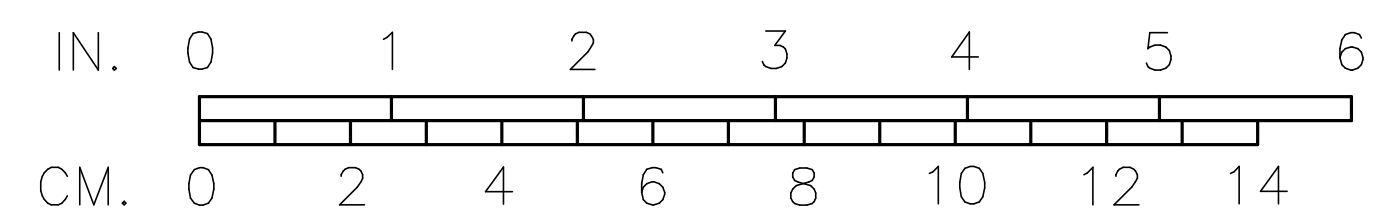
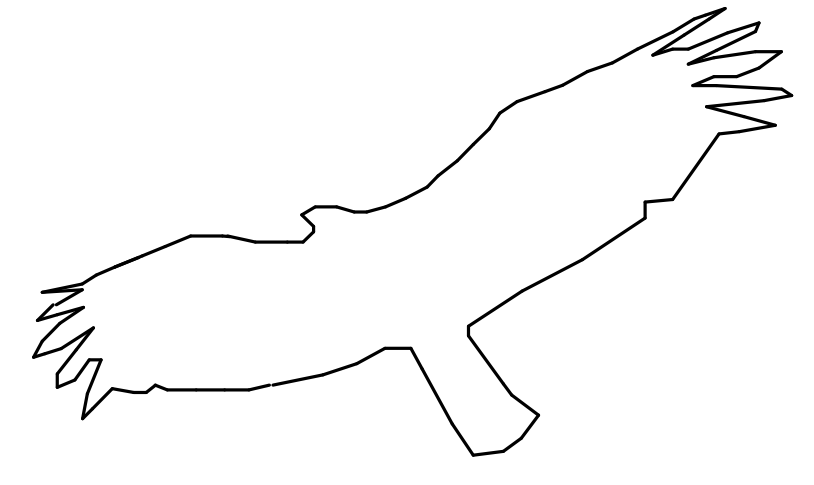
TRUE EDGE OF 1/16 X 4 BOTTOM SHEET AND GLUE TO 1/8 X 1/2 SUB LE. CONSTRUCT REMAINDER OF BOTTOM SKIN INCLUDING CAP STRIPS. USE RIBS TO LOCATE LOWER REAR SPAR CAP AND GLUE IN PLACE. SHIM BOTTOM SKIN ASSEMBLY WITH TE STOCK TO CONTACT RIBS AND GLUE WITH CA. ADD TOP SKIN. AFTER ASSEMBLY, DRESS SURFACE AND ADD LE.



MIGSI ₆₆₂ METRICS	
NAME	EAGLE (CHIPPIWA)
662	A PLANK CONSTANT
SPAN	110 IN. 2.8 M
AREA	1354 SQ. IN.
ROOT CHORD	14 IN.
ASPECT RATIO	8.9
LENGTH	31.7 IN.
AIRFOIL	BW 05 02 09 F



MIGSI₆₆₂



DESIGNED AND DRAWN BY CHUCK CLEMANS
ALL RIGHTS RESERVED 9/20/2005

FUSELAGE SIDE 2 REQ. 1/8 PLY.

SKID, 1/8 PLY

