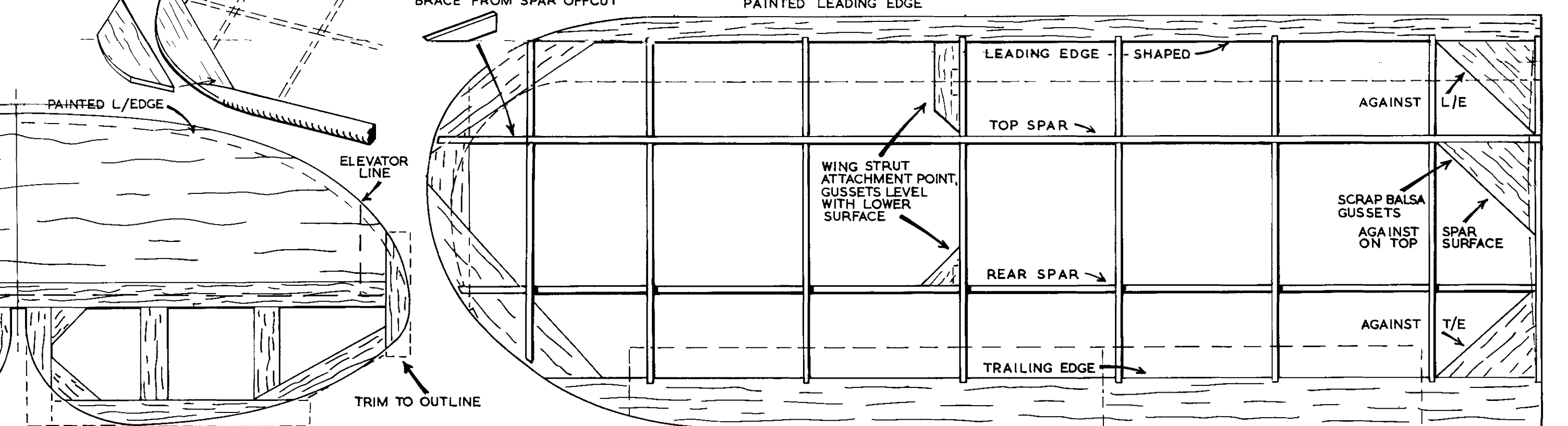
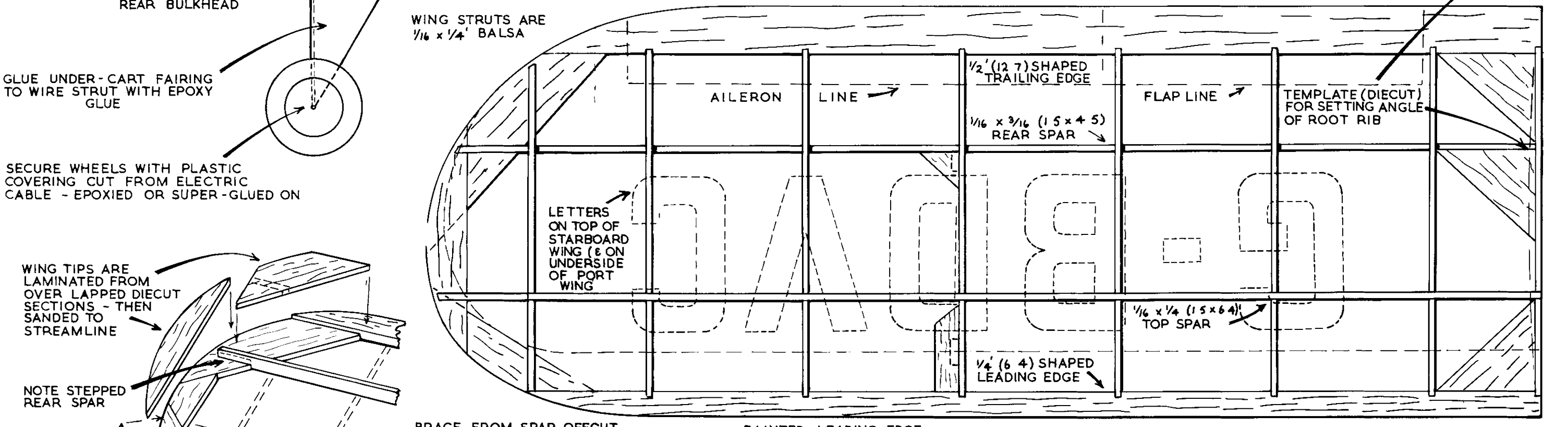
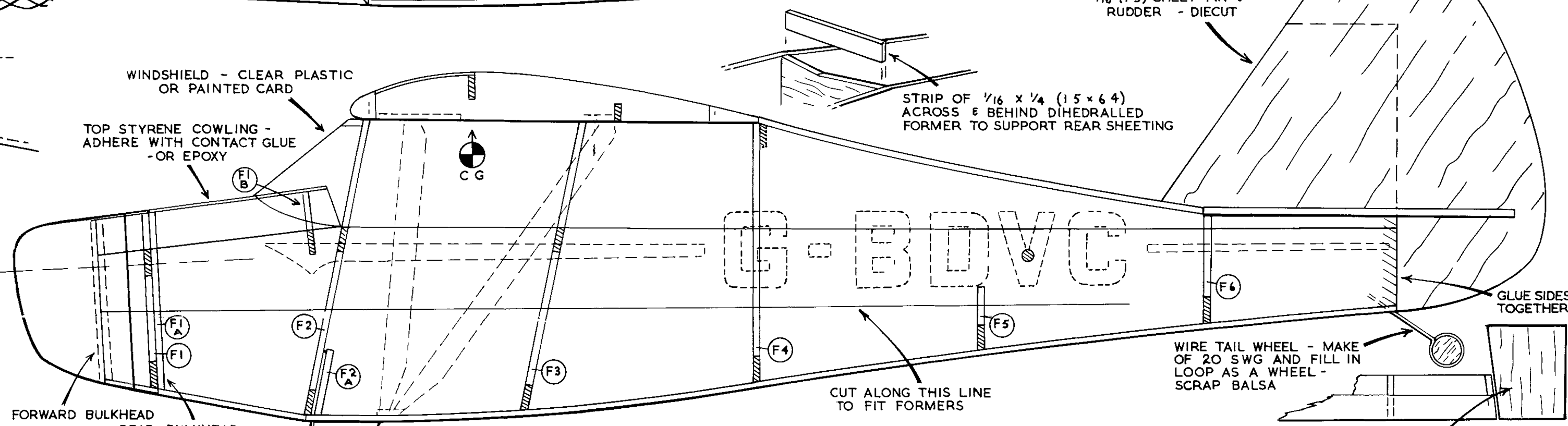
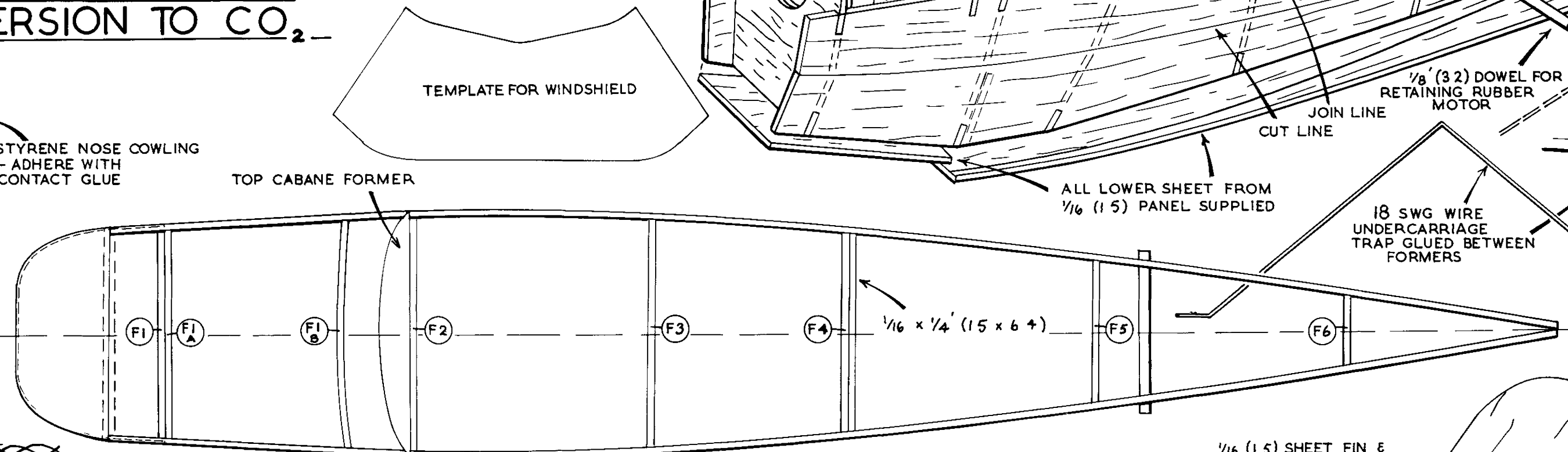
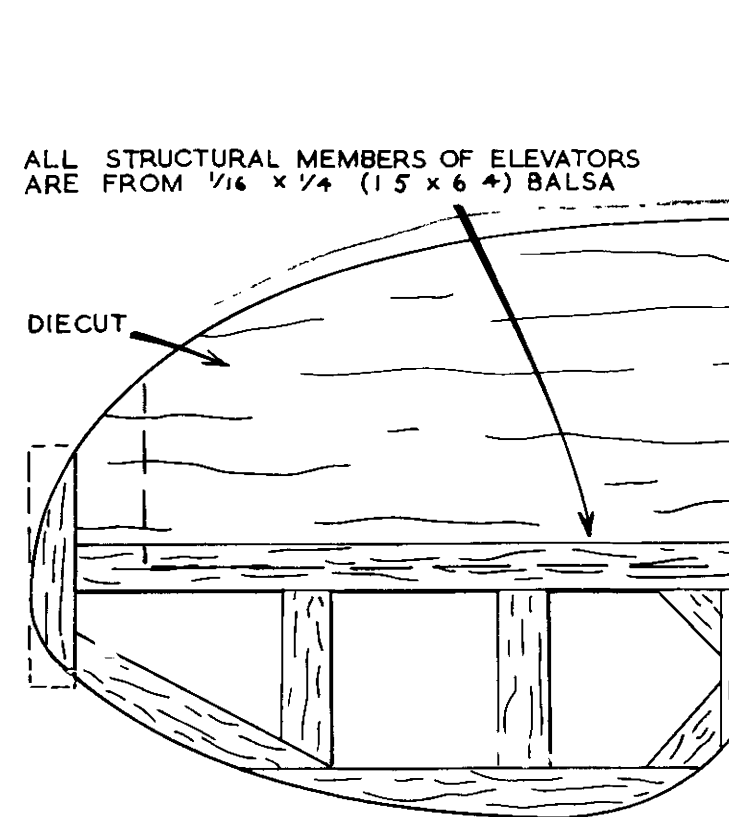
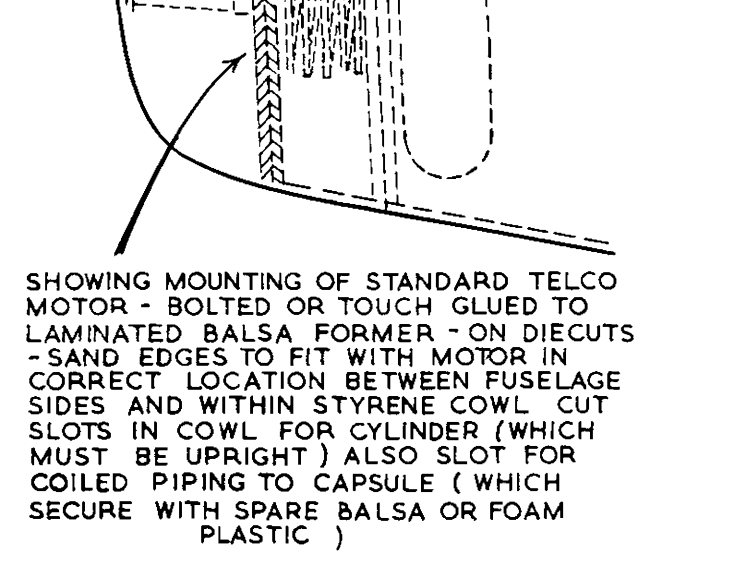
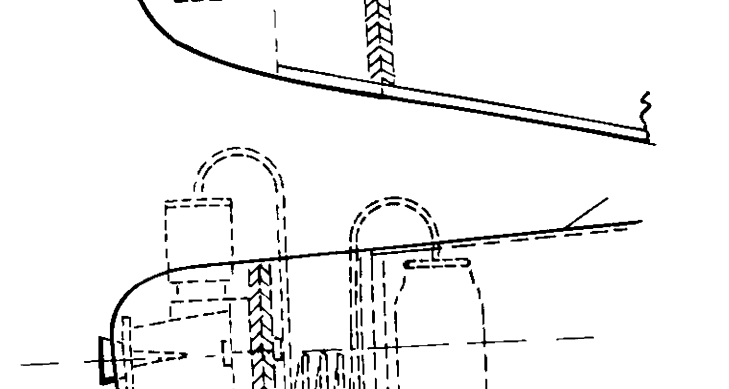
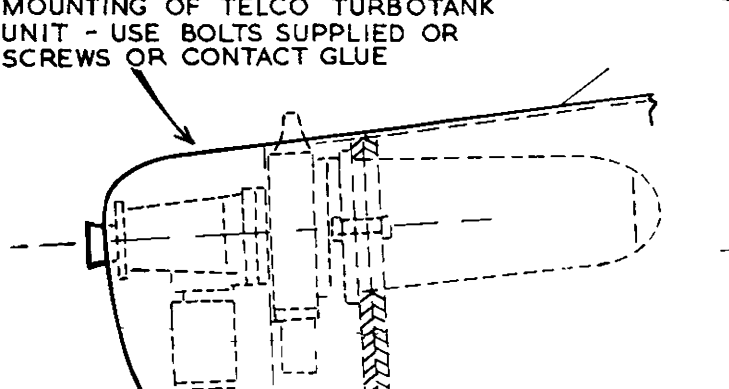
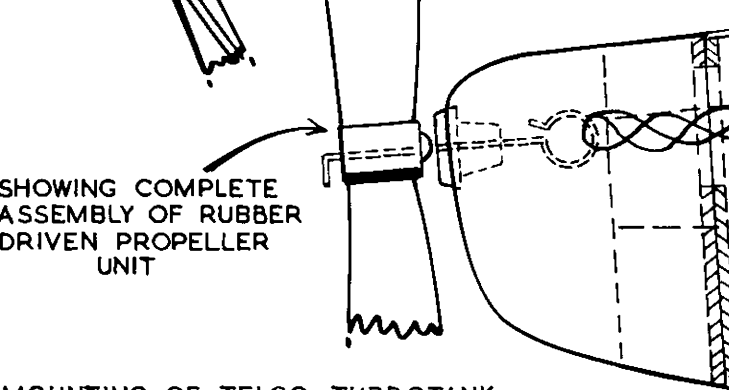
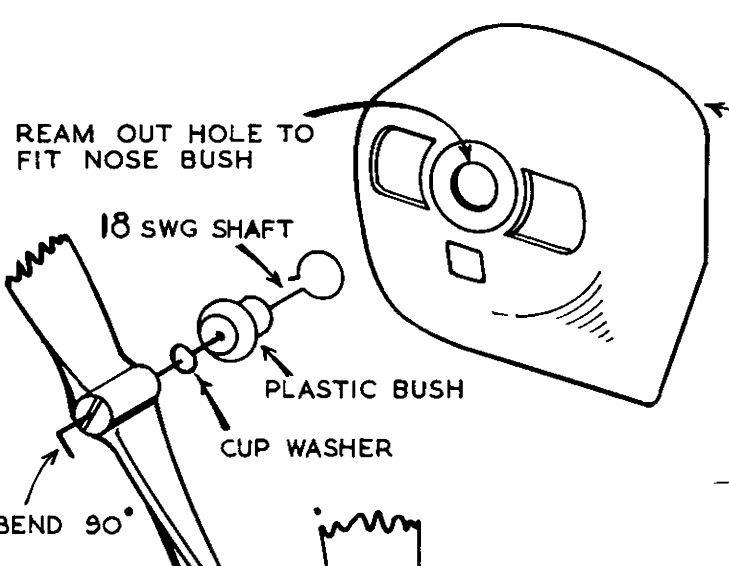
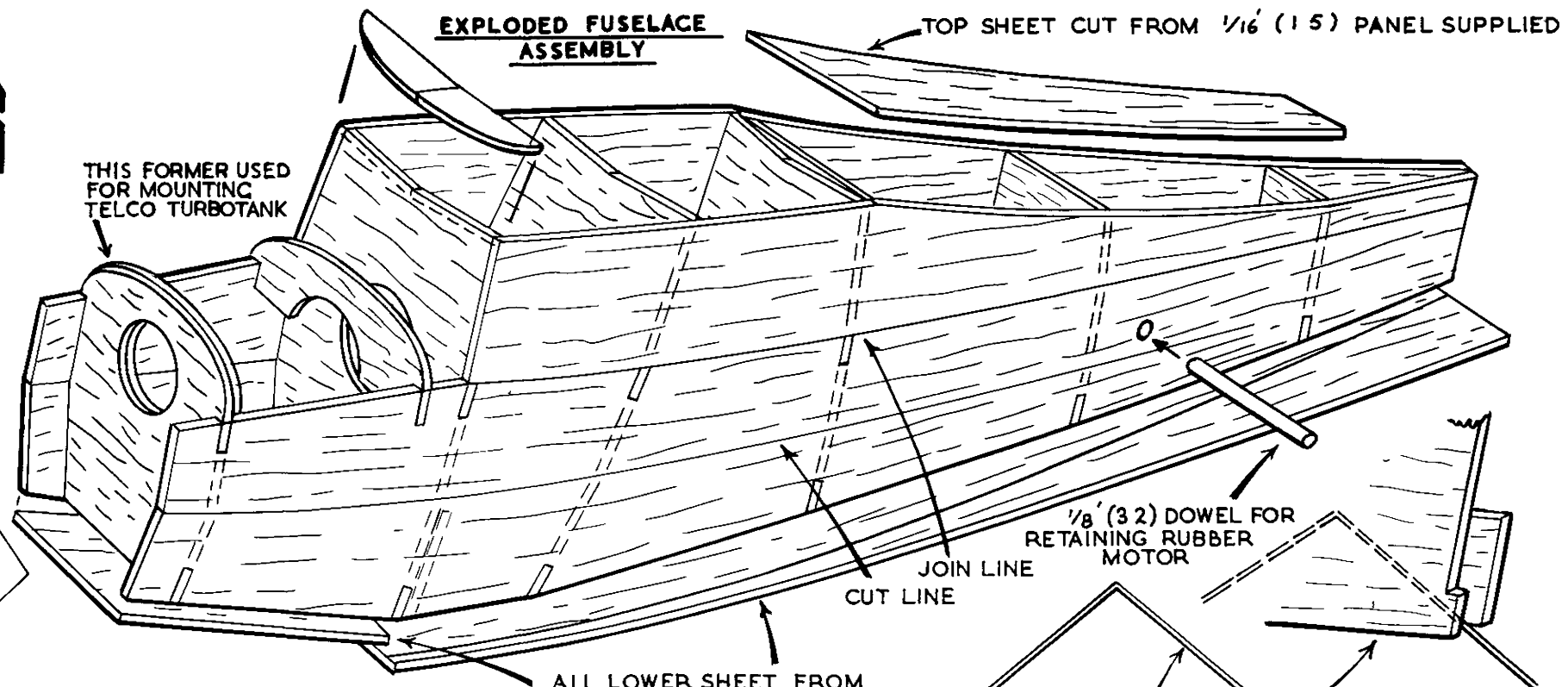


# Veron MINISCALE SERIES

## PIPER VAGABOND

FOR RUBBER POWER  
OR CONVERSION TO CO<sub>2</sub>

22½" SPAN  
(57 cms)



ALL STRUCTURAL MEMBERS OF ELEVATORS ARE FROM 1/16 x 1/4 (15 x 64) BALSA

WING TIPS ARE LAMINATED FROM OVER-LAPPED DIECUT SECTIONS - THEN SANDED TO STREAMLINE

GLUE UNDER-CART FAIRING TO WIRE STRUT WITH EPOXY GLUE

SECURE WHEELS WITH PLASTIC COVERING CUT FROM ELECTRIC CABLE - EPOXIED OR SUPER-GLUED ON

WINDSHIELD - CLEAR PLASTIC OR PAINTED CARD

TOP STYRENE COWLING - ADHERE WITH CONTACT GLUE - OR EPOXY

FORWARD BULKHEAD REAR BULKHEAD

WING STRUTS ARE 1/16 x 1/4 BALSA

CUT ALONG THIS LINE TO FIT FORMERS

STRIP OF 1/16 x 1/4 (15 x 64) ACROSS & BEHIND DIHEDRALLED FORMER TO SUPPORT REAR SHEETING

1/16 (15) SHEET FIN & RUDDER - DIECUT

WIRE TAIL WHEEL - MAKE OF 20 SWG AND FILL IN LOOP AS A WHEEL - SCRAP BALSA

GLUE SIDES TOGETHER