

FROG TRADE MARK

"VENTURA"

CAT. No. 729 GK.

42" SPAN TOWLINE SAILPLANE

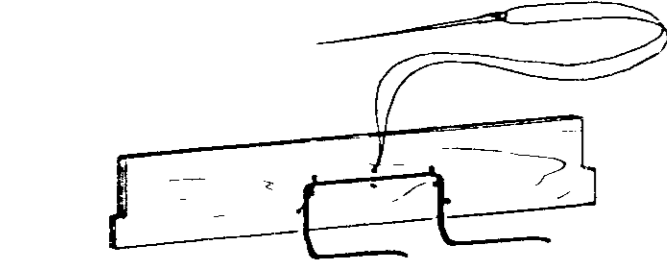
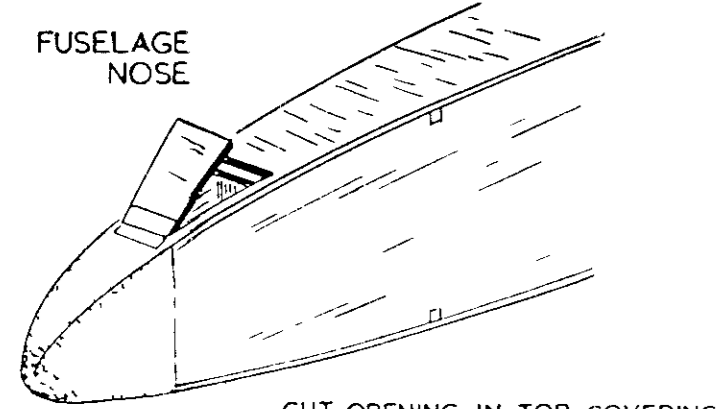


FIG 3 TOW HOOK
DRILL HOLES IN PLY. BIND WIRE TO THIS & CEMENT WELL

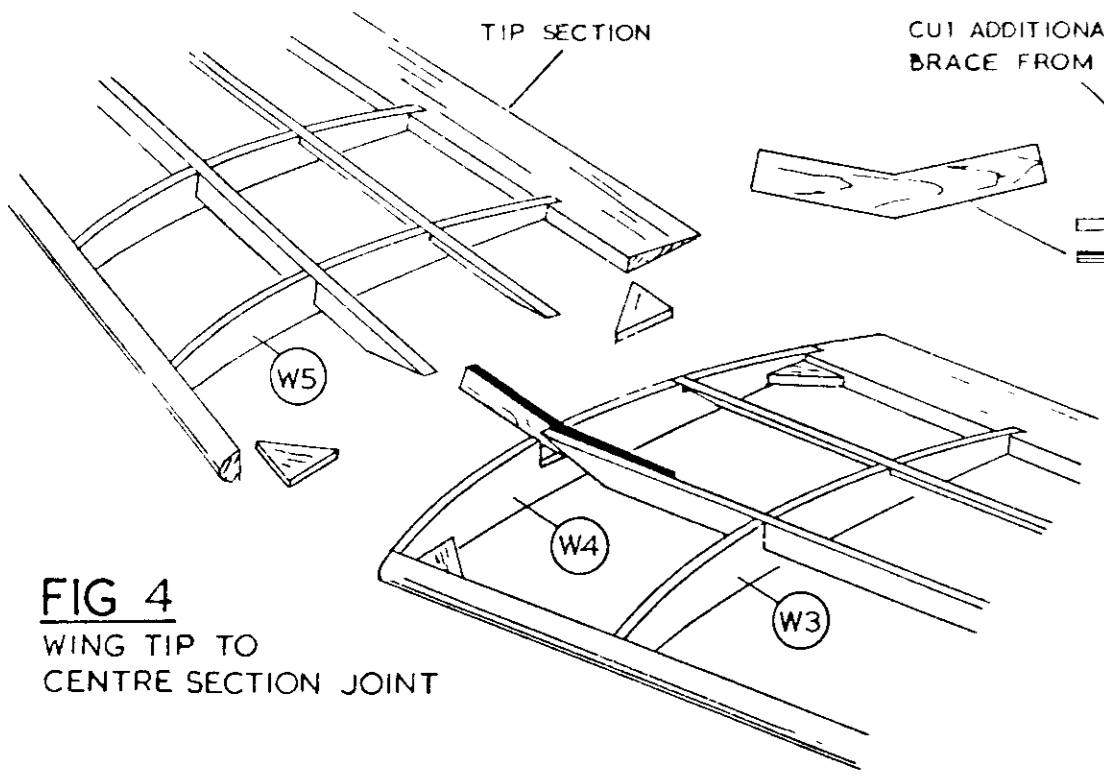


FIG 4 WING TIP TO CENTRE SECTION JOINT

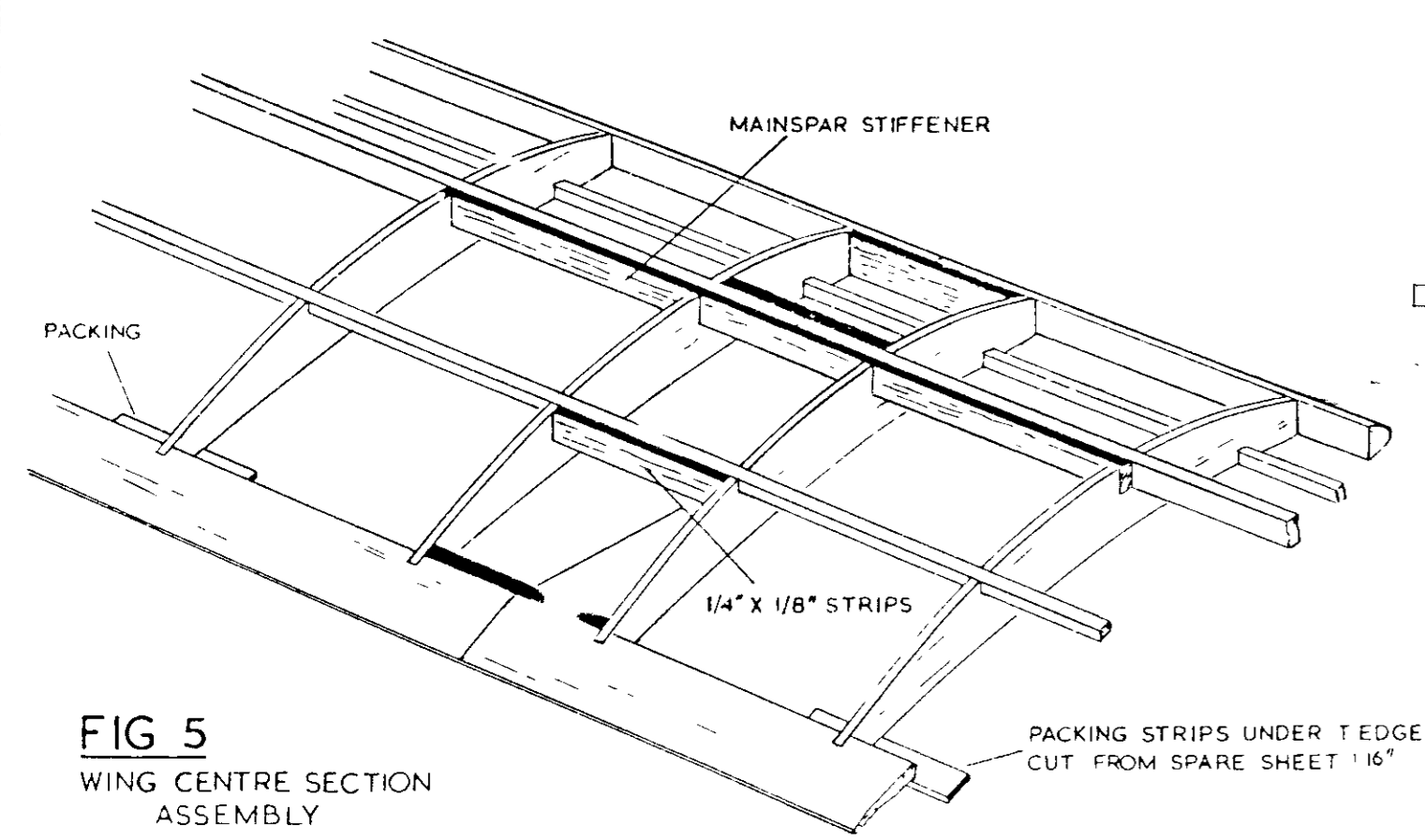


FIG 5 WING CENTRE SECTION ASSEMBLY

PRODUCED IN ENGLAND BY
INTERNATIONAL MODEL AIRCRAFT LTD
MORDEN ROAD MERTON LONDON SW19

FIG 6 FRONT VIEW - WING TIP DIHEDRAL



FIG 1 BUILD FUSELAGE SIDES OVER PLAN

ADD THESE STRIPS AFTER REMOVING FROM PLAN

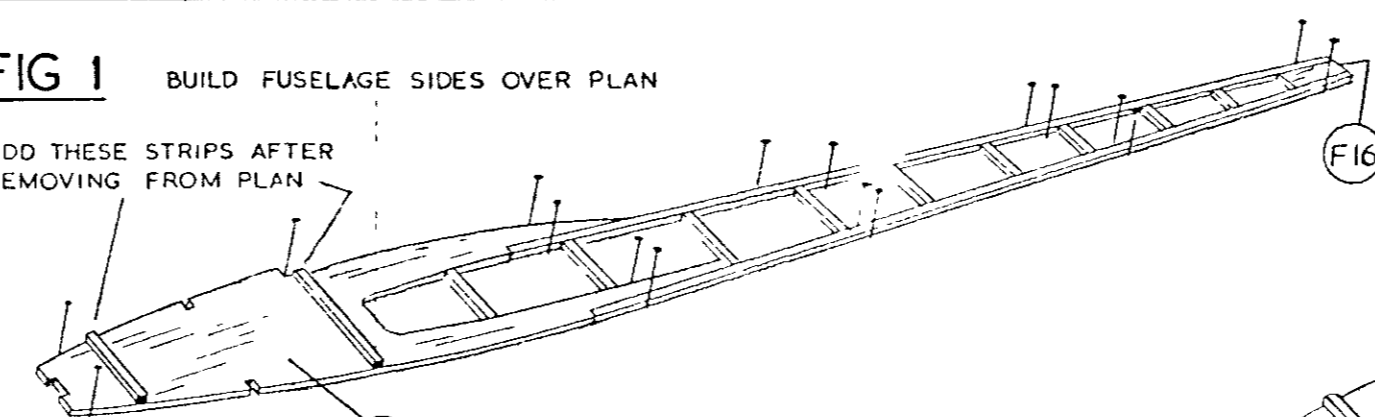


FIG 2 FIX BULKHEADS TO ONE SIDE

ADD THESE STRIPS AFTER REMOVING FROM PLAN

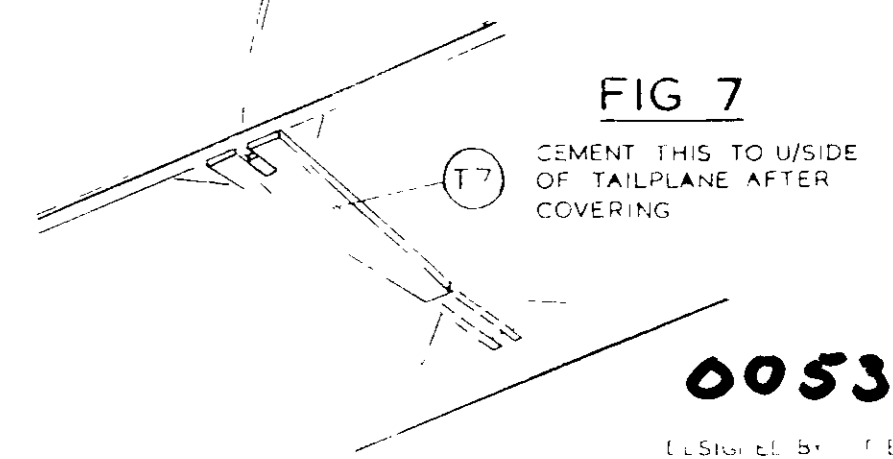
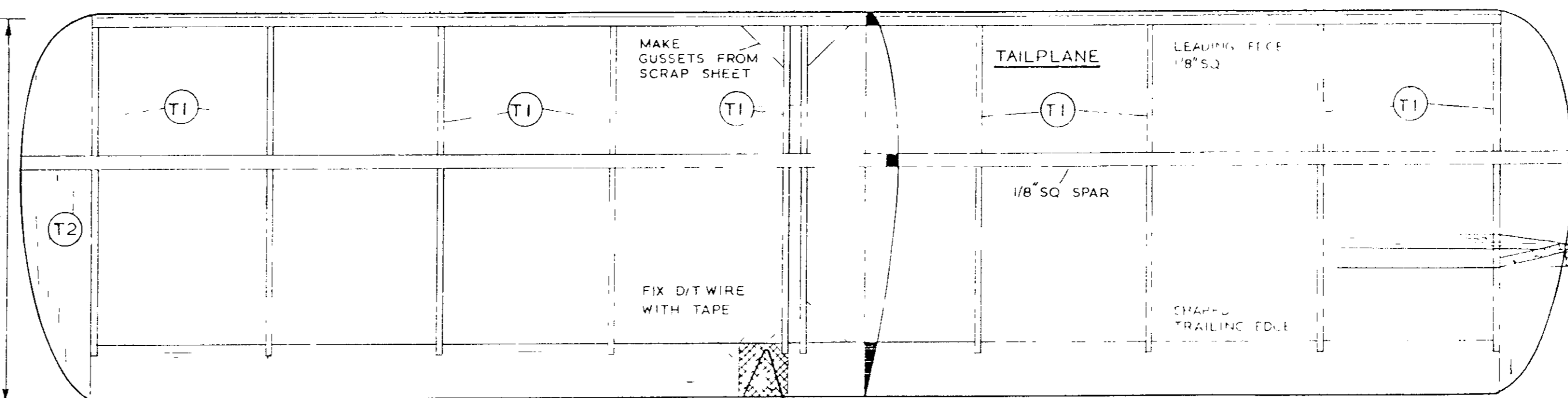
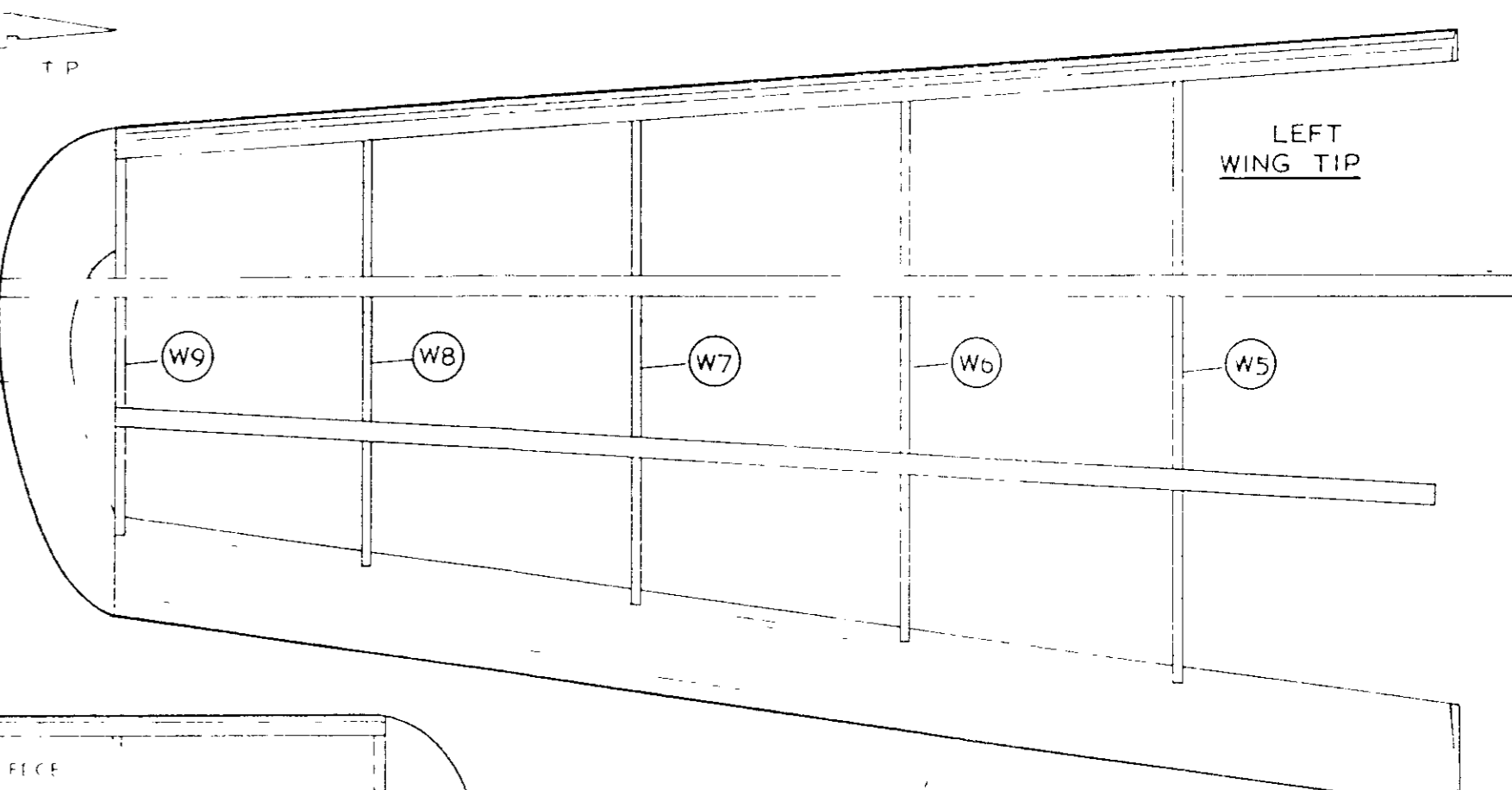
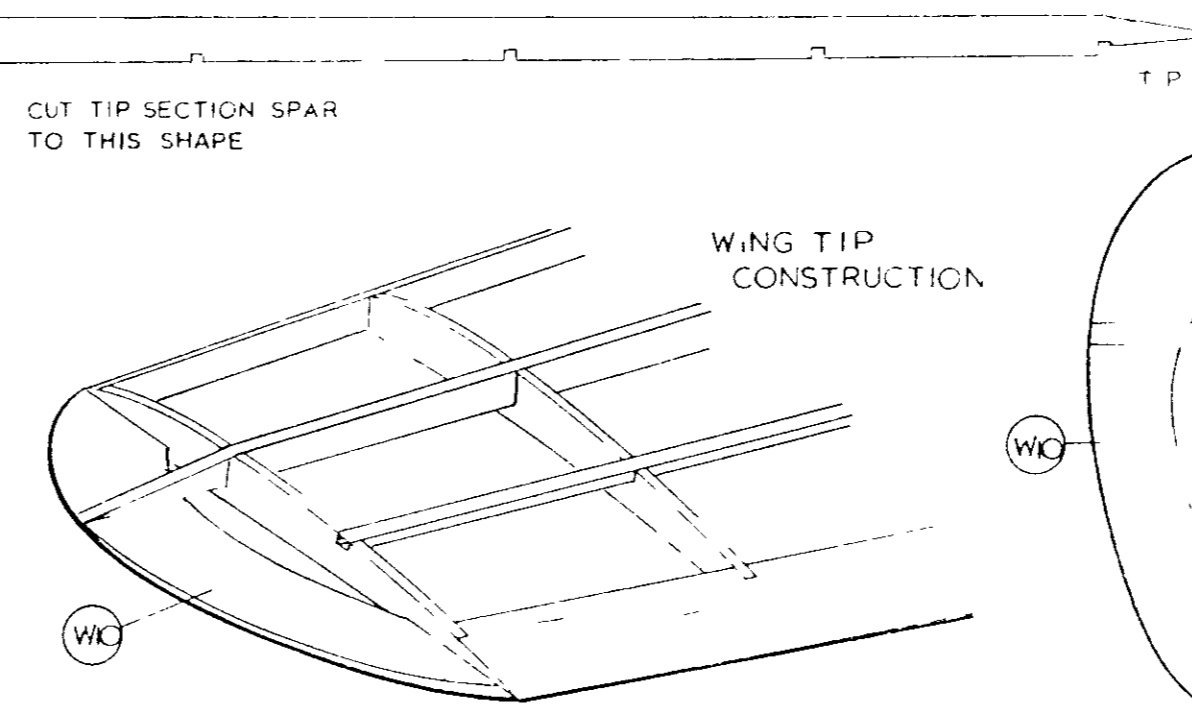
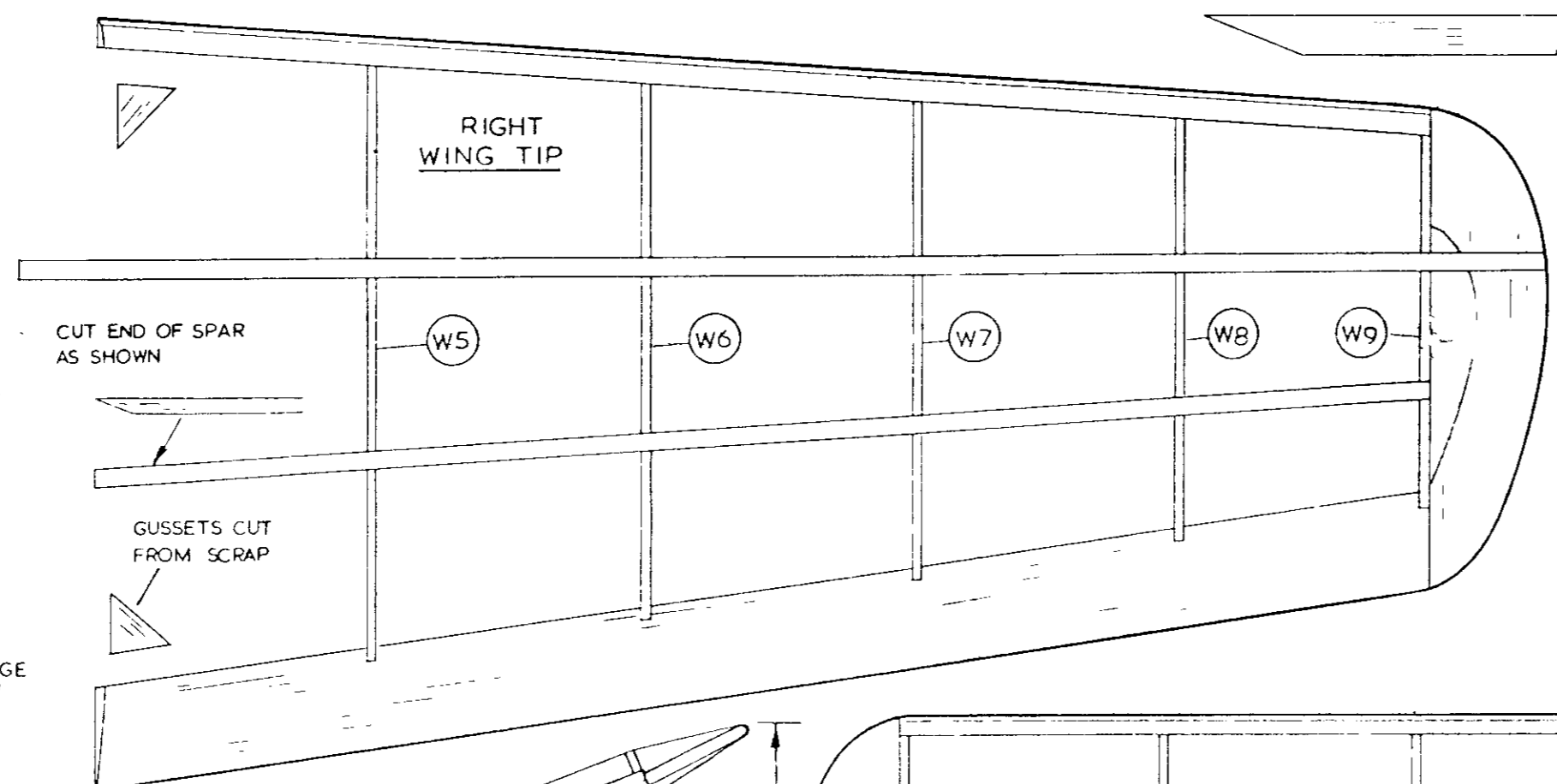
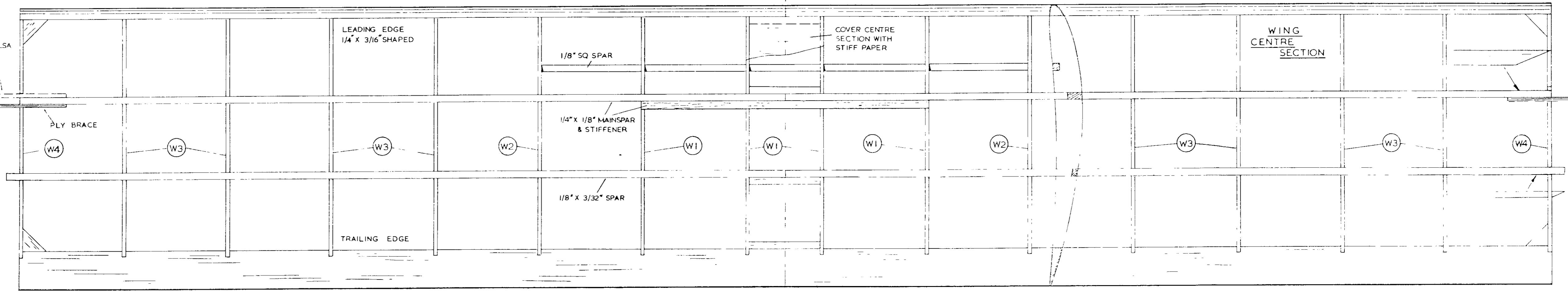
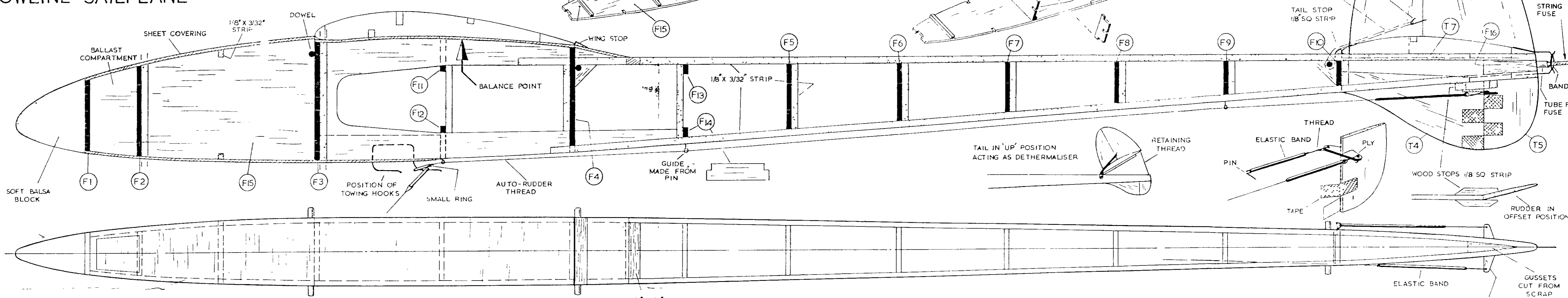
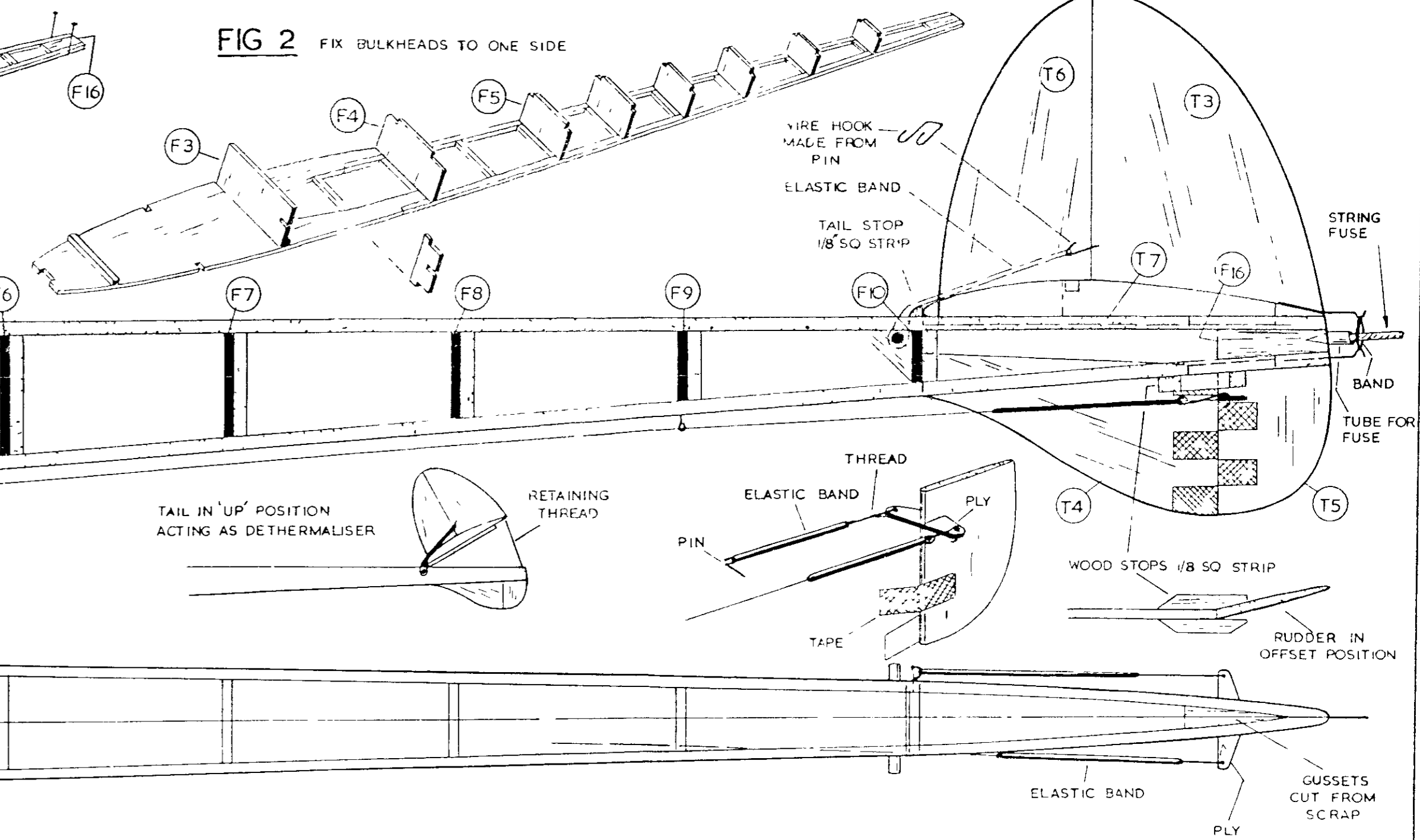


FIG 7 CEMENT THIS TO USIDE OF TAILPLANE AFTER COVERING

005334
L.S. 11. 11. 1955