

FROG MOSQUITO

36" SPAN PROFILE SCALE
CONTROL-LINE MODEL

FOR 1c.c - 2.5c.c.
ENGINES. CAT. NO. 682KP.

ALL PARTS SHOWN THUS (W7) ARE PRINTED AND CUT.

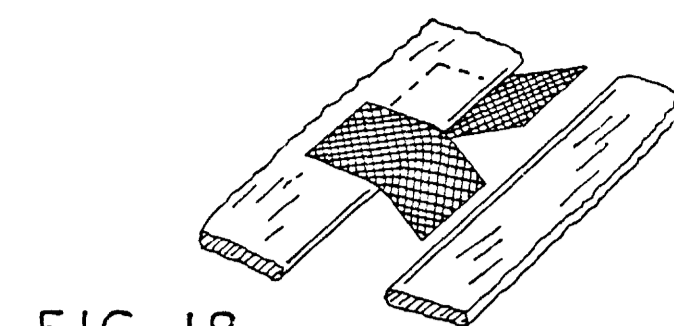


FIG. 18.
SKETCH SHOWING FIXING OF TAPE HINGES

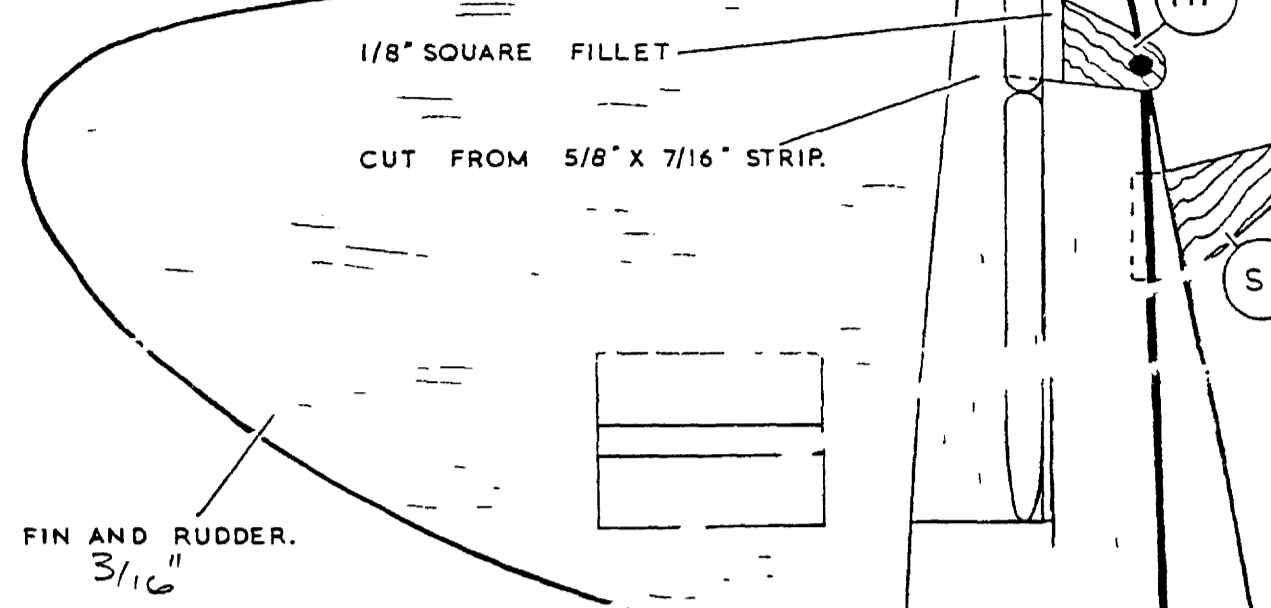


FIG. 1.
SKETCH SHOWING FUSELAGE ASSEMBLY



FIG. 2.
SKETCH SHOWING FUSELAGE CONSTRUCTION

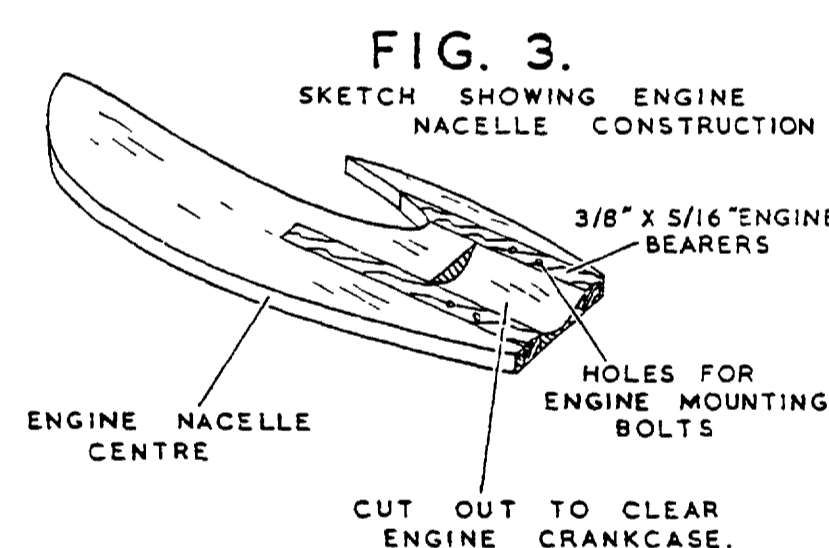
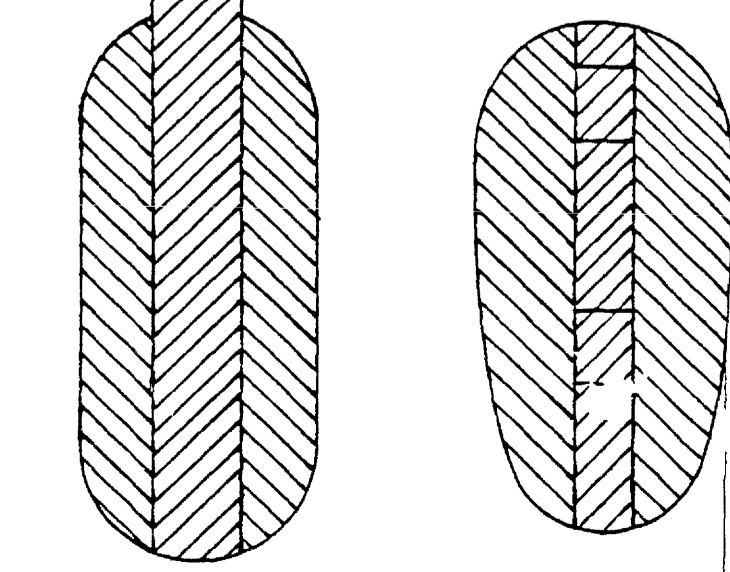


FIG. 3.
SKETCH SHOWING ENGINE NACELLE CONSTRUCTION



SECTION C-C. SECTION B-B

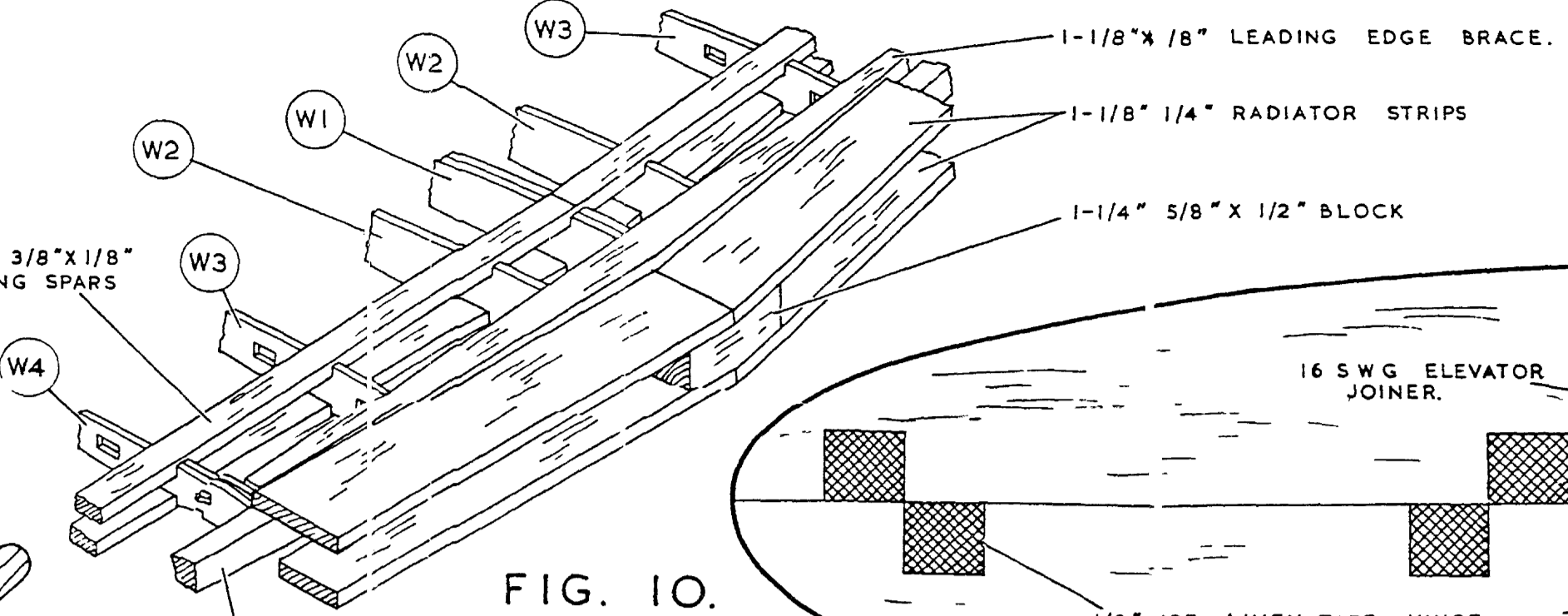


FIG. 10.
SKETCH SHOWING FITTING OF RADIATOR STRIPS.

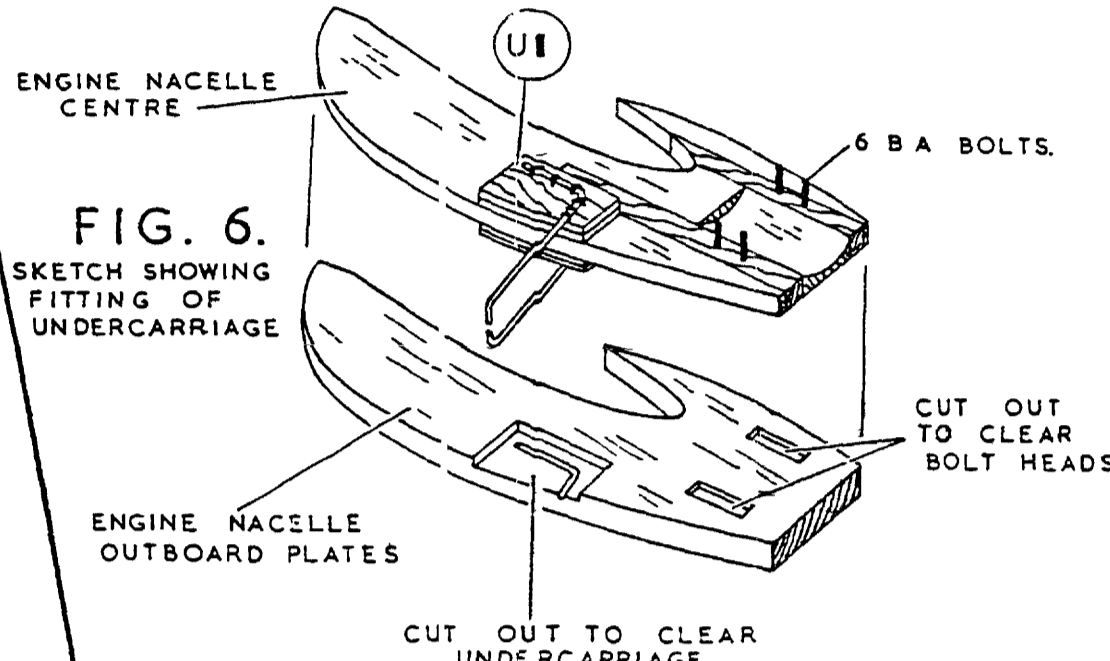


FIG. 6.
SKETCH SHOWING FITTING OF UNDERCARRIAGE

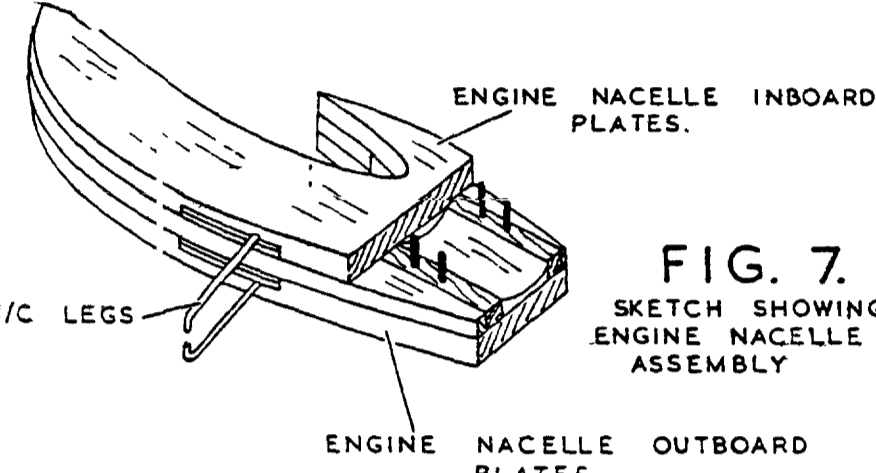


FIG. 7.
SKETCH SHOWING ENGINE NACELLE ASSEMBLY

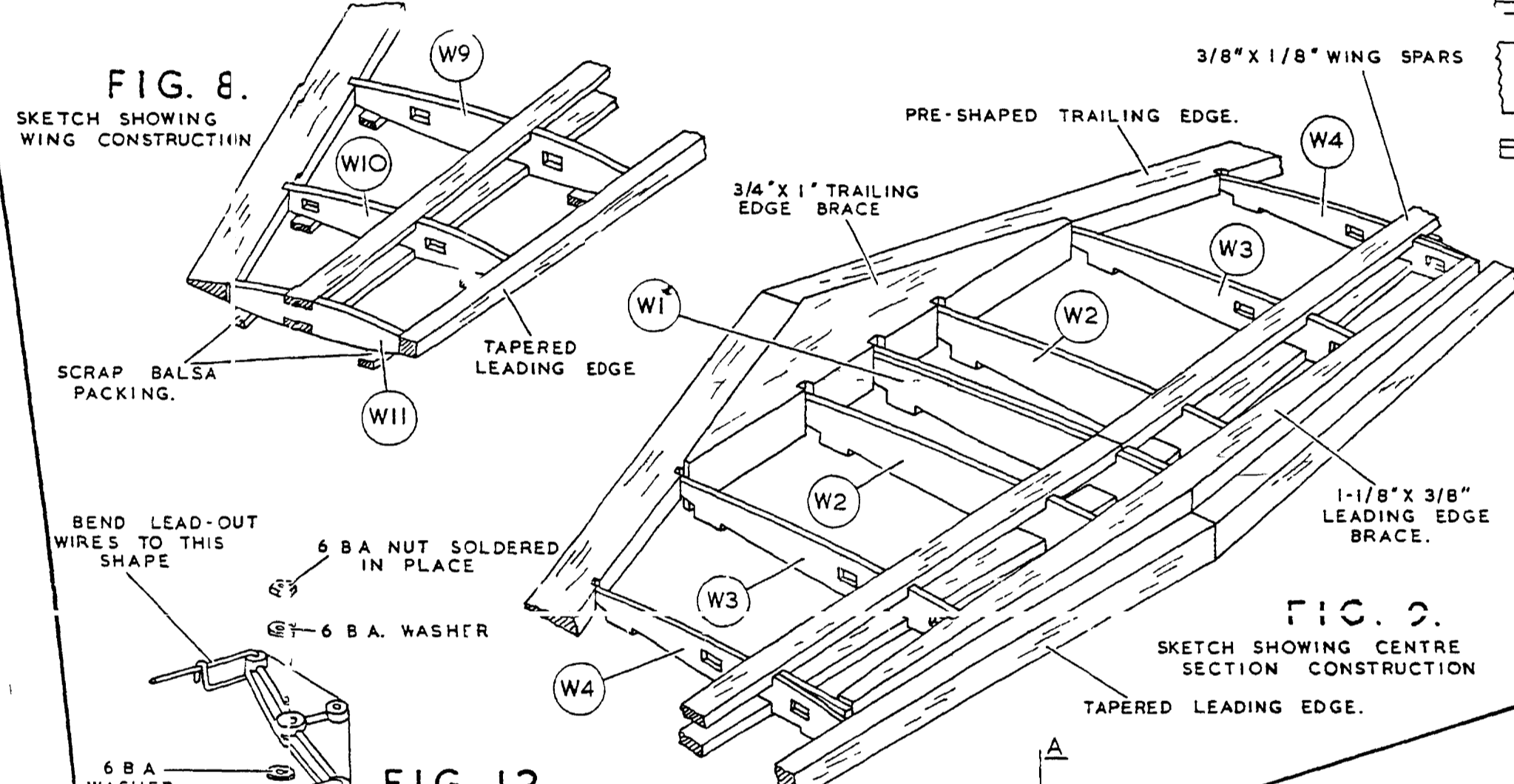


FIG. 8.
SKETCH SHOWING WING CONSTRUCTION

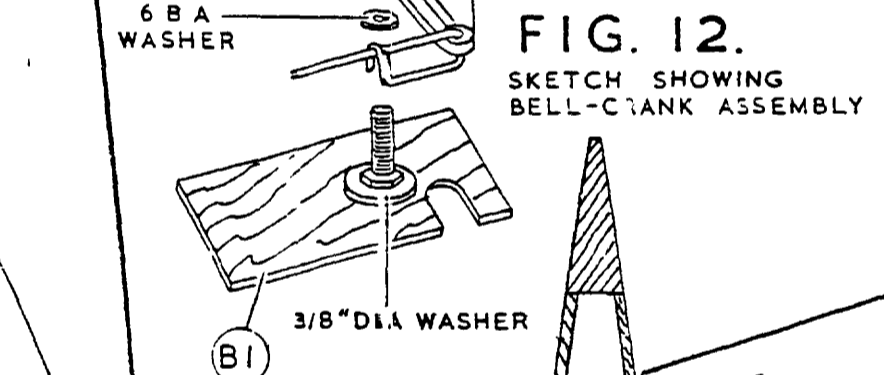


FIG. 12.
SKETCH SHOWING BELL-CRANK ASSEMBLY

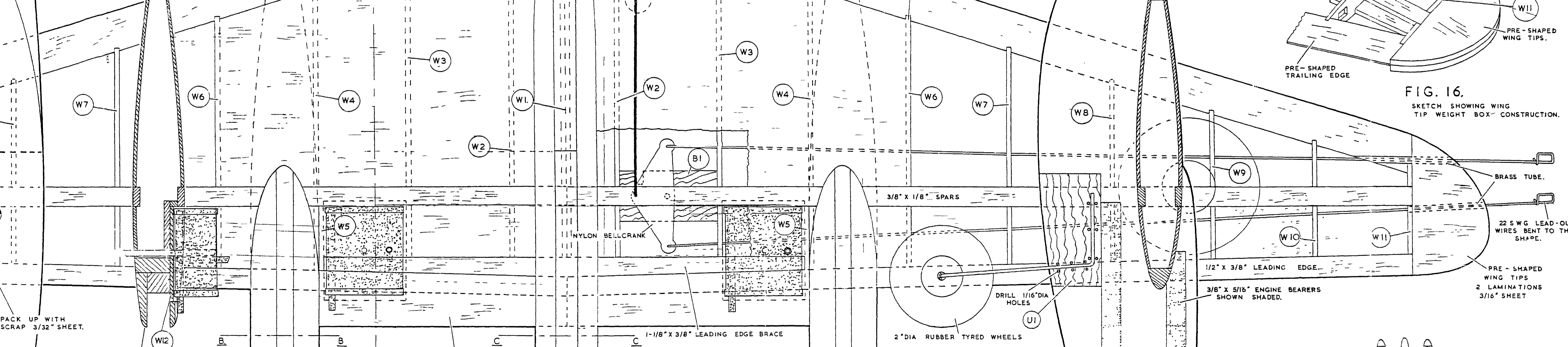


FIG. 9.
SKETCH SHOWING CENTRE SECTION CONSTRUCTION

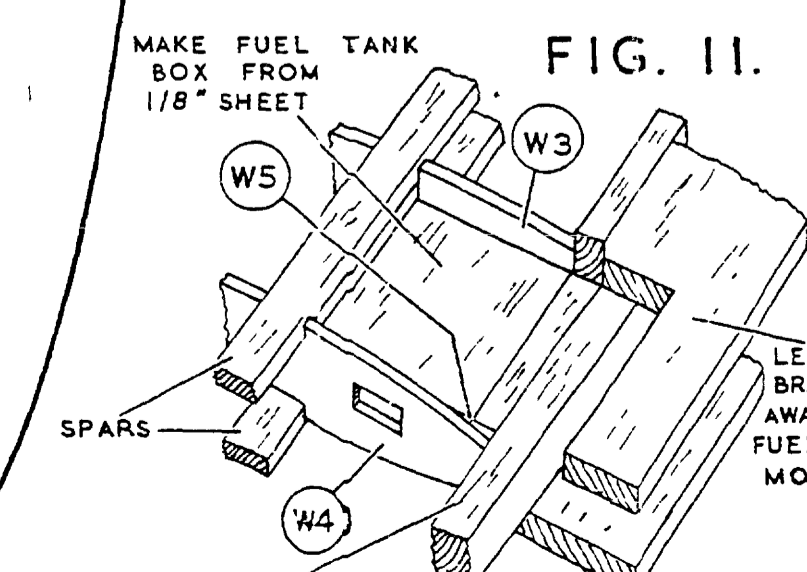


FIG. 11.
SKETCH SHOWING FUEL TANK BOX CONSTRUCTION.

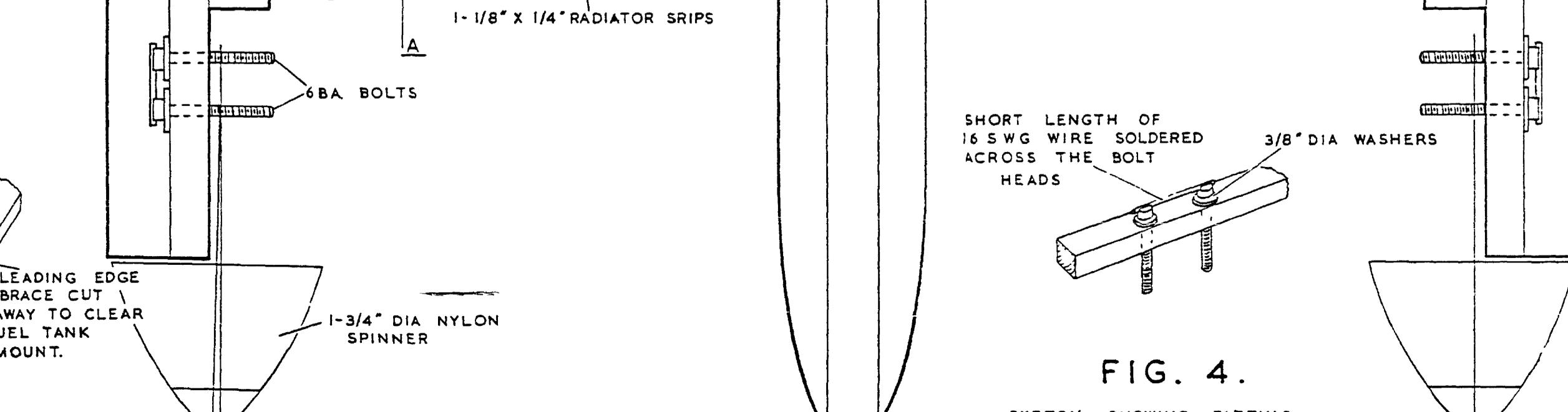


FIG. 4.
SKETCH SHOWING FITTING OF ENGINE BOLTS.

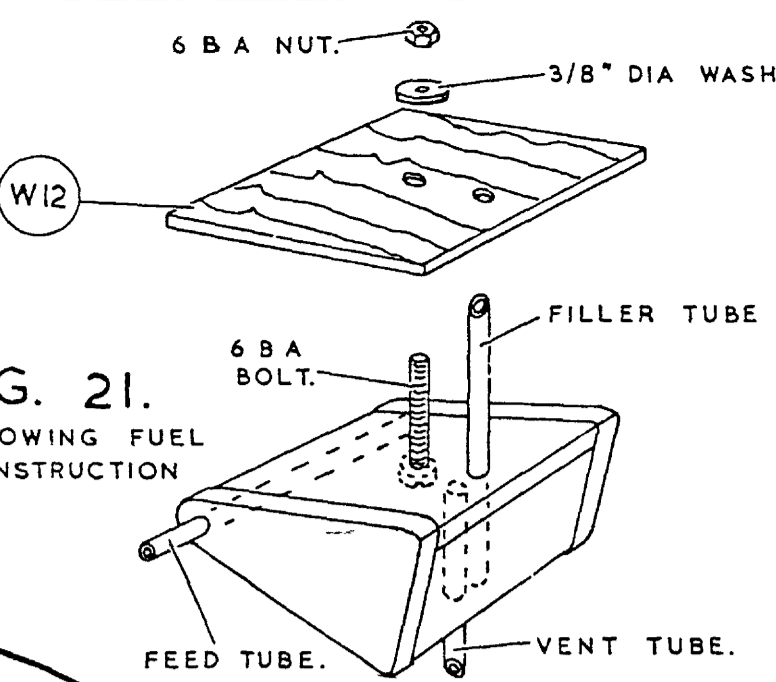


FIG. 21.
SKETCH SHOWING FUEL TANK CONSTRUCTION

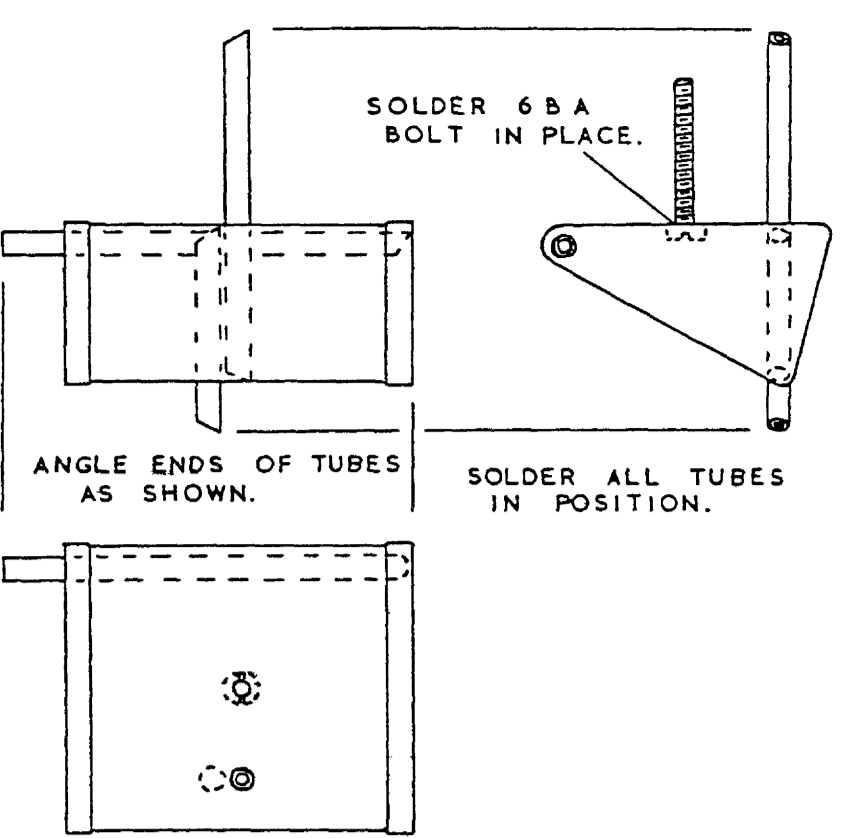


FIG. 20.
SKETCH SHOWING FITTING OF WHEELS.

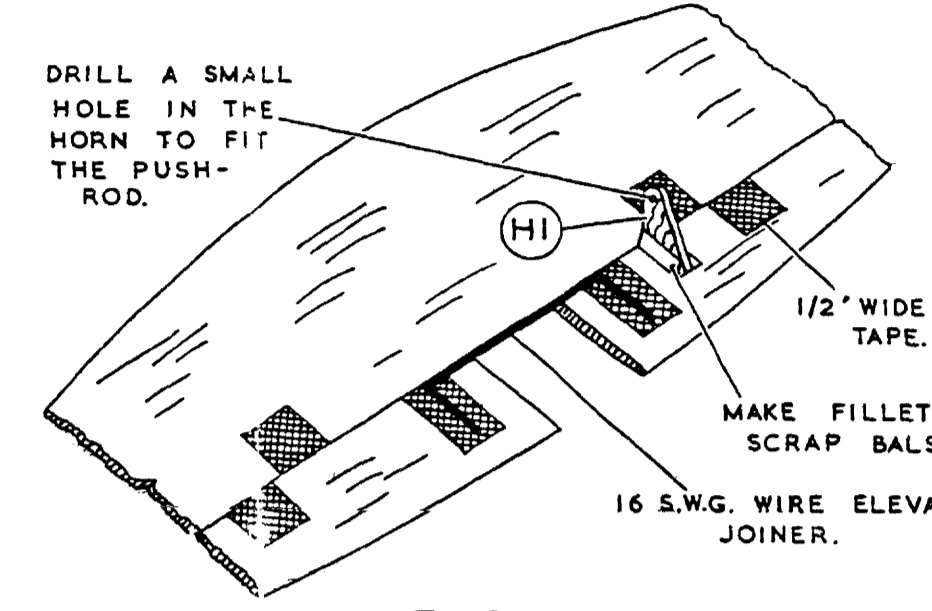


FIG. 19.
SKETCH SHOWING JOINING OF ELEVATORS.

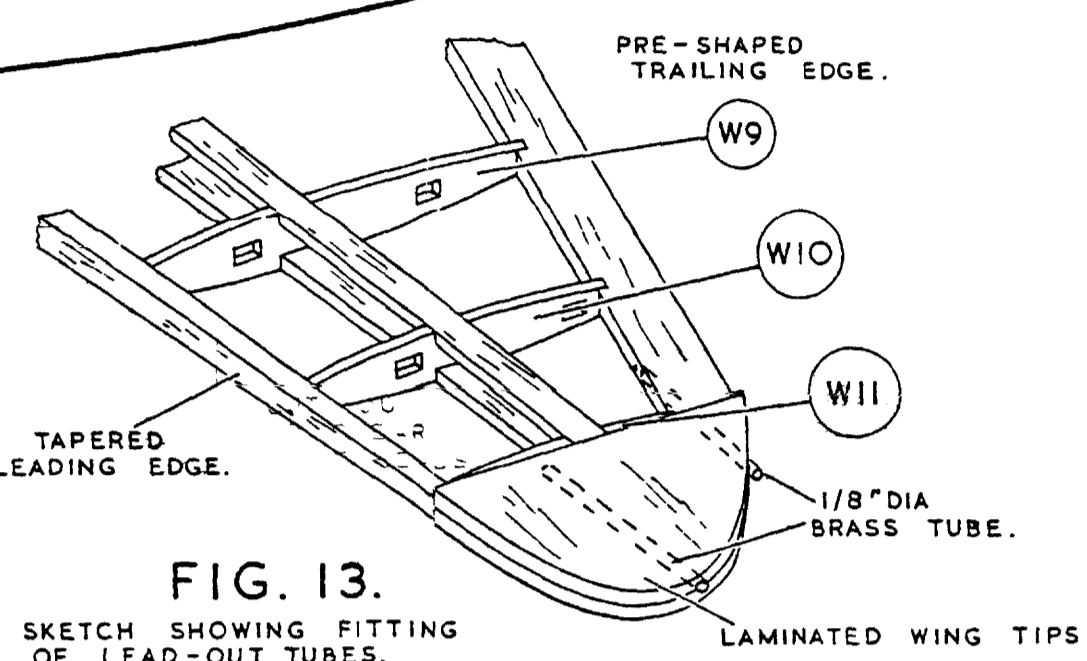


FIG. 13.
SKETCH SHOWING FITTING OF LEAD-OUT TUBES.

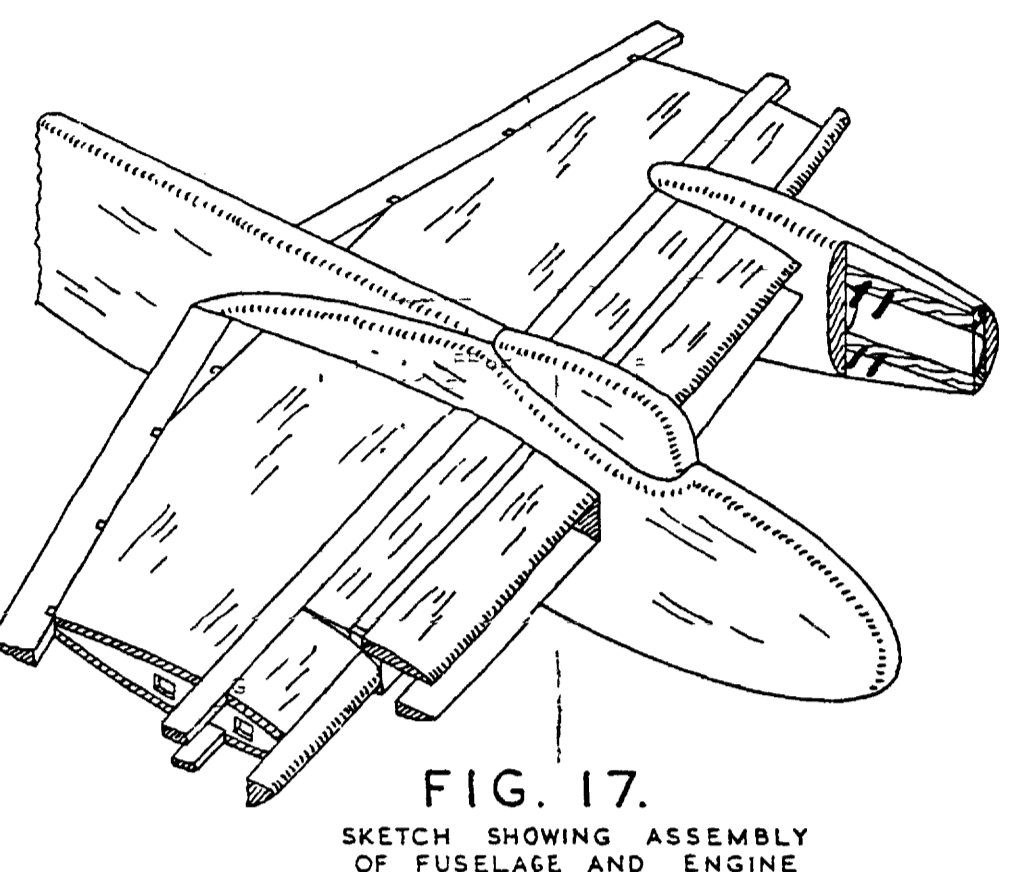
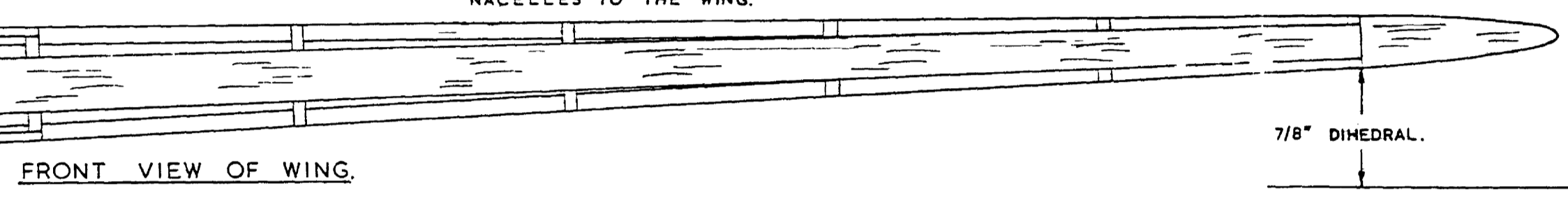


FIG. 17.
SKETCH SHOWING ASSEMBLY OF FUSELAGE AND ENGINE NACELLES TO THE WING.



FRONT VIEW OF WING

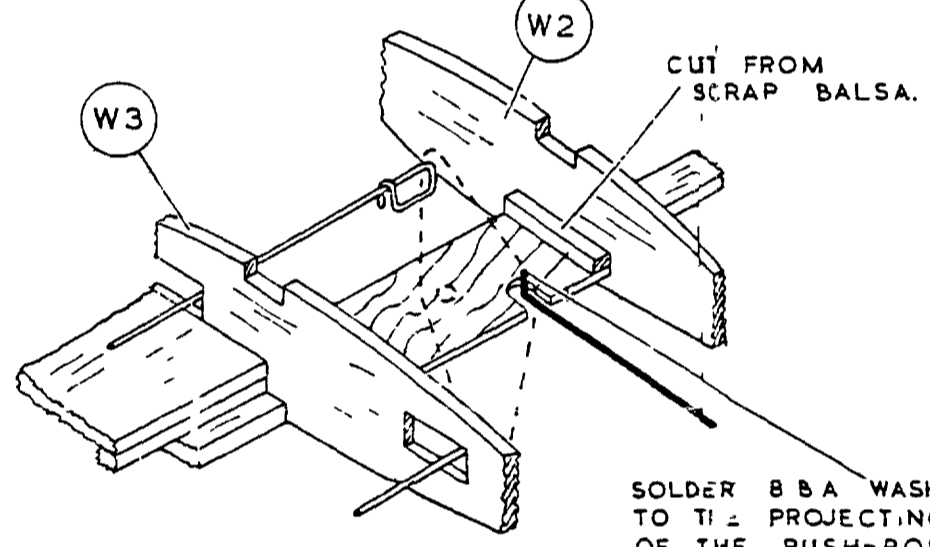


FIG. 14.
SKETCH SHOWING THE FITTING OF THE PUSH-ROD TO THE BELL-CRANK

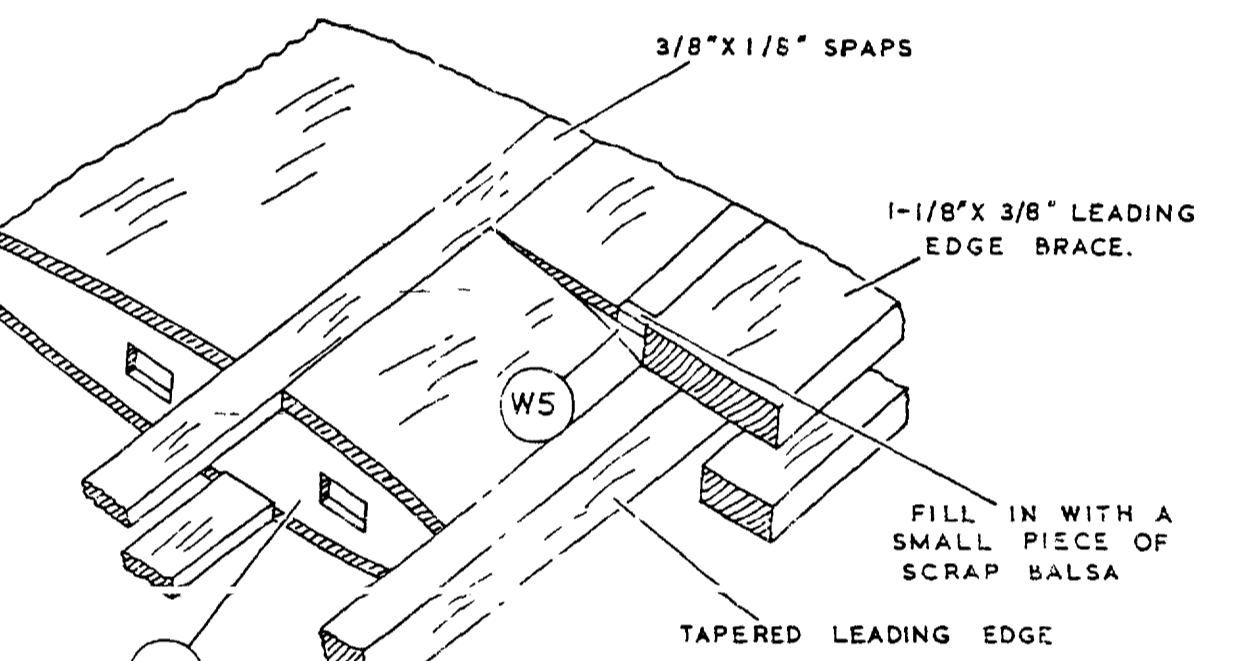


FIG. 15.
SKETCH SHOWING WING SHEETING DETAIL.

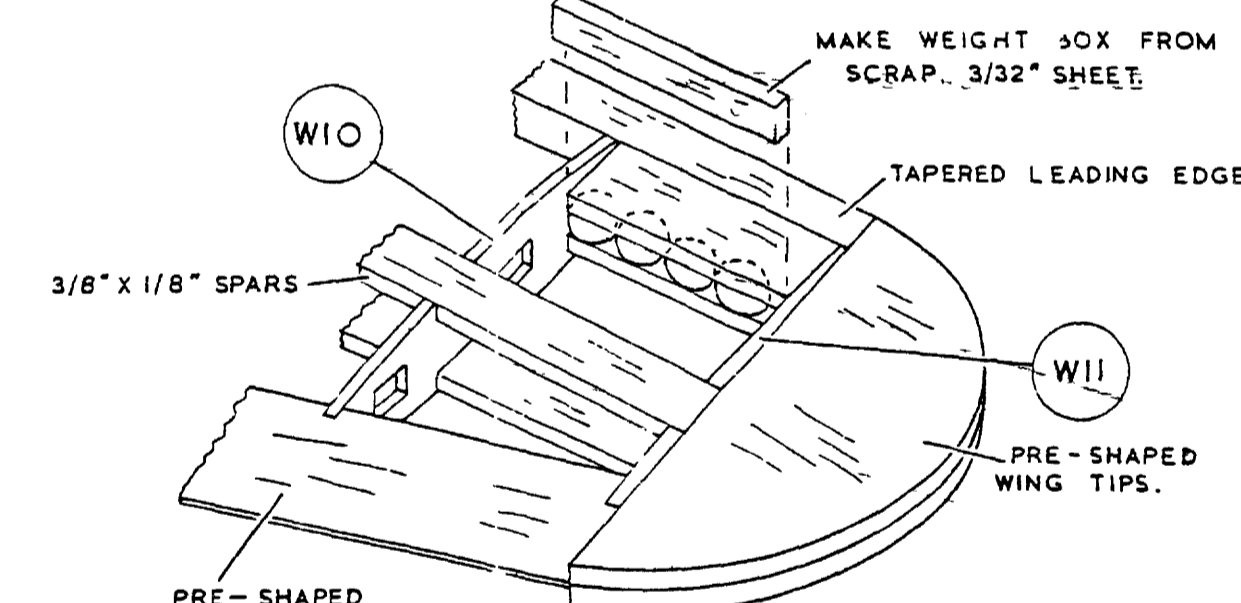


FIG. 16.
SKETCH SHOWING WING TIP WEIGHT BOX CONSTRUCTION.

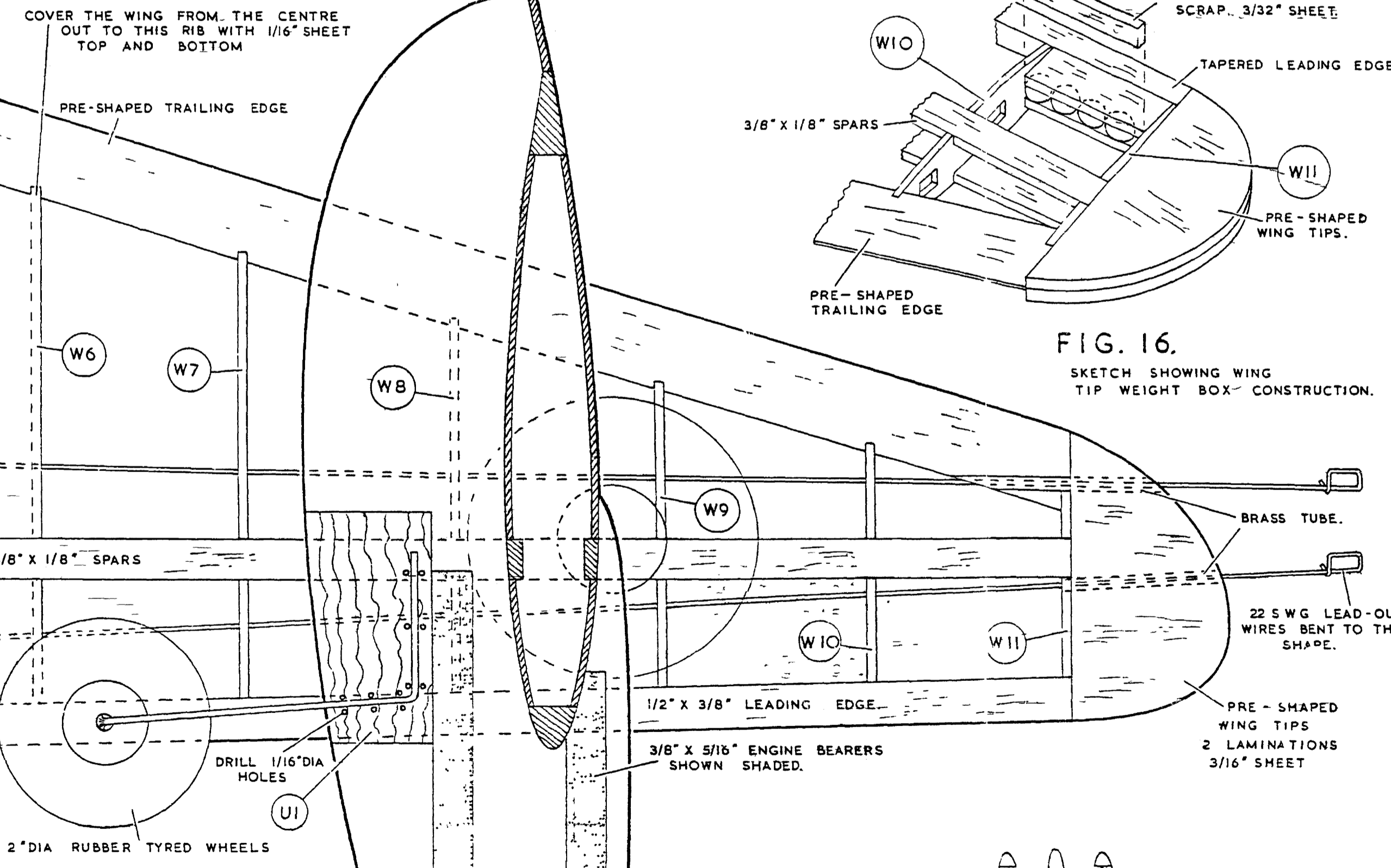
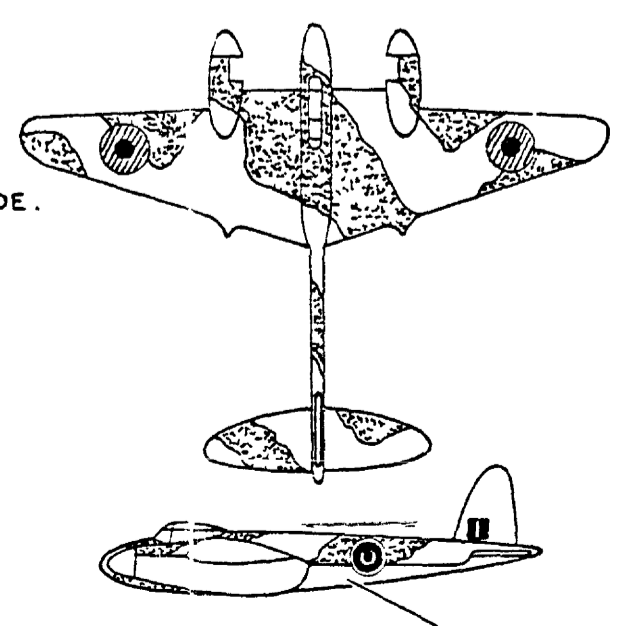


FIG. 5.
SKETCH SHOWING FIXING UNDERCARRIAGE LEG TO MOUNT.

COLOR SCHEME TOP SIDE.
GREEN
BROWN



UNDERSIDE LIGHT BLUE

PRODUCED IN ENGLAND BY
INTERNATIONAL MODEL AIRCRAFT LTD.
MORDEN ROAD, MERTON, LONDON, S W 19

DESIGNED AND DRAWN BY ERIC T. WALPOLE.