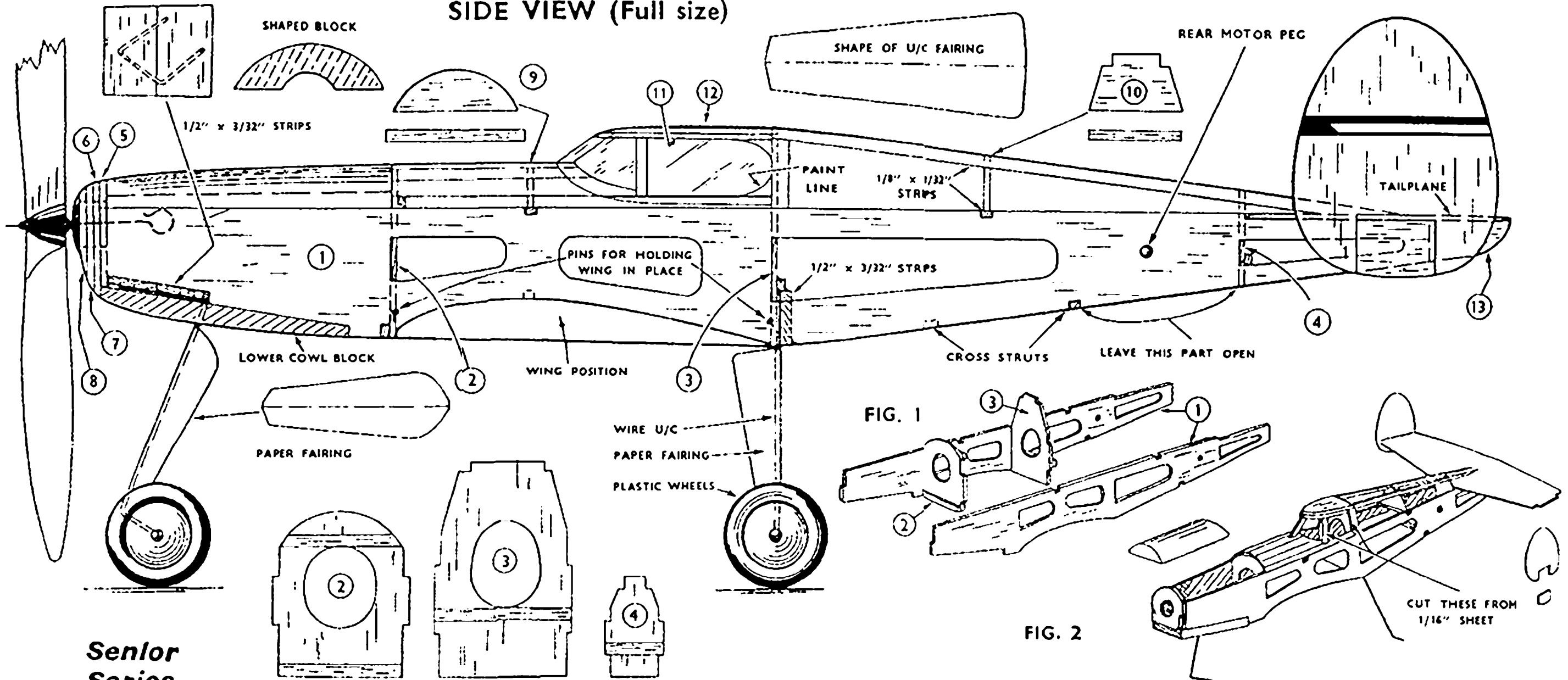


# "HERON"

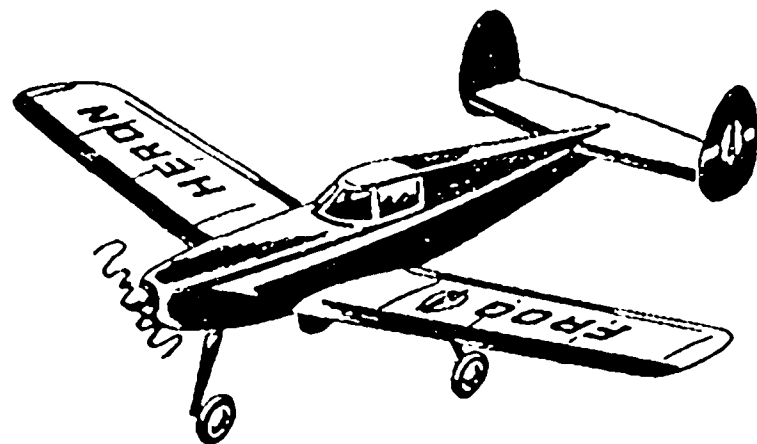
18" SPAN  
RUBBER-POWERED

Cat. No.  
629 FK

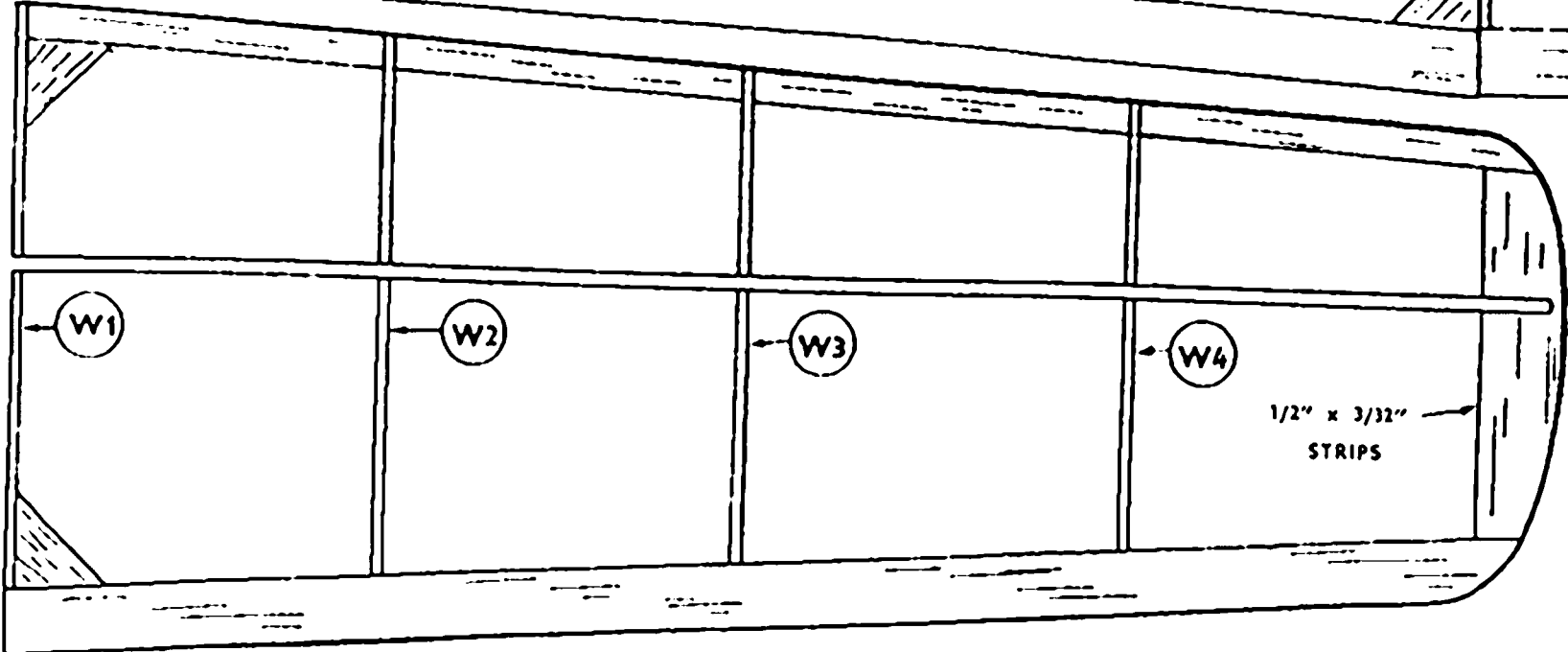
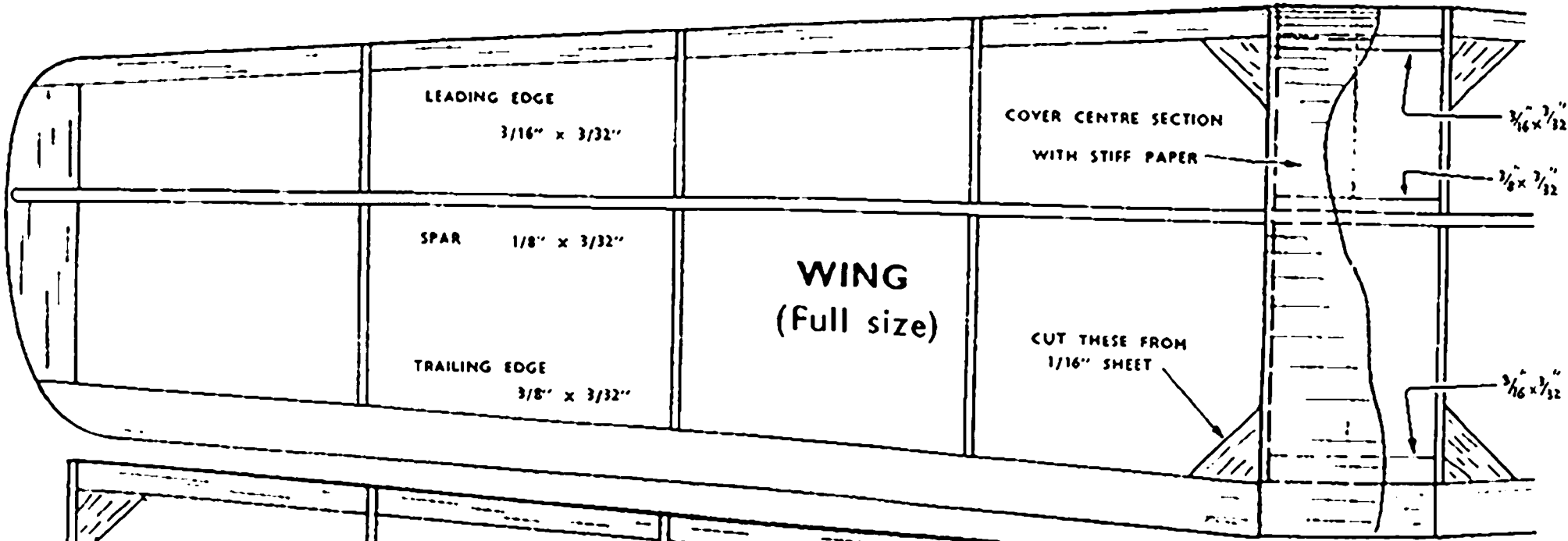
SIDE VIEW (Full size)



**Senior Series**

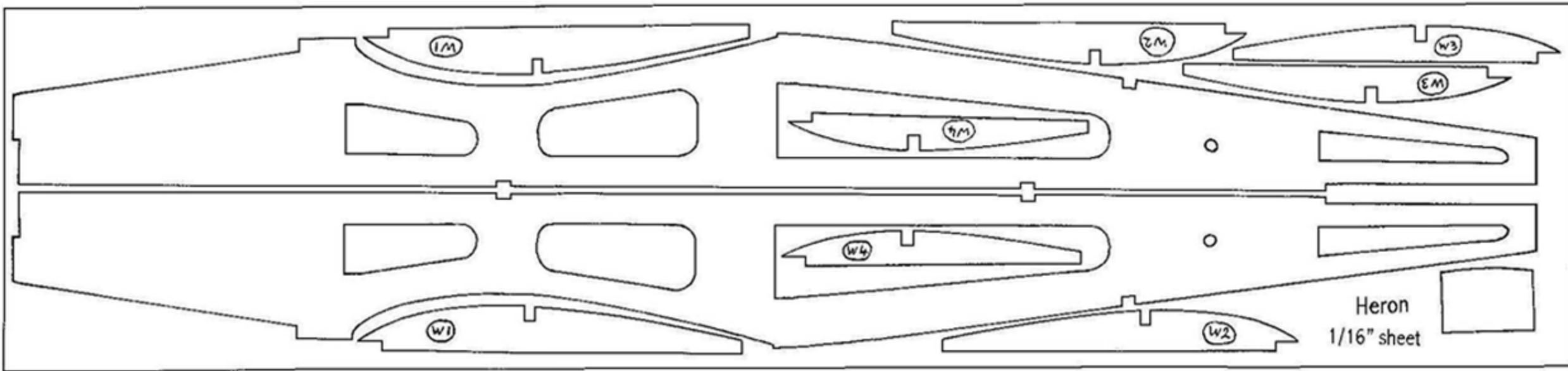


VIEW OF FINISHED MODEL



1 1/4" dihedral  
each tip

HERON



1/16"

12

11

5

2

↑  
π

6

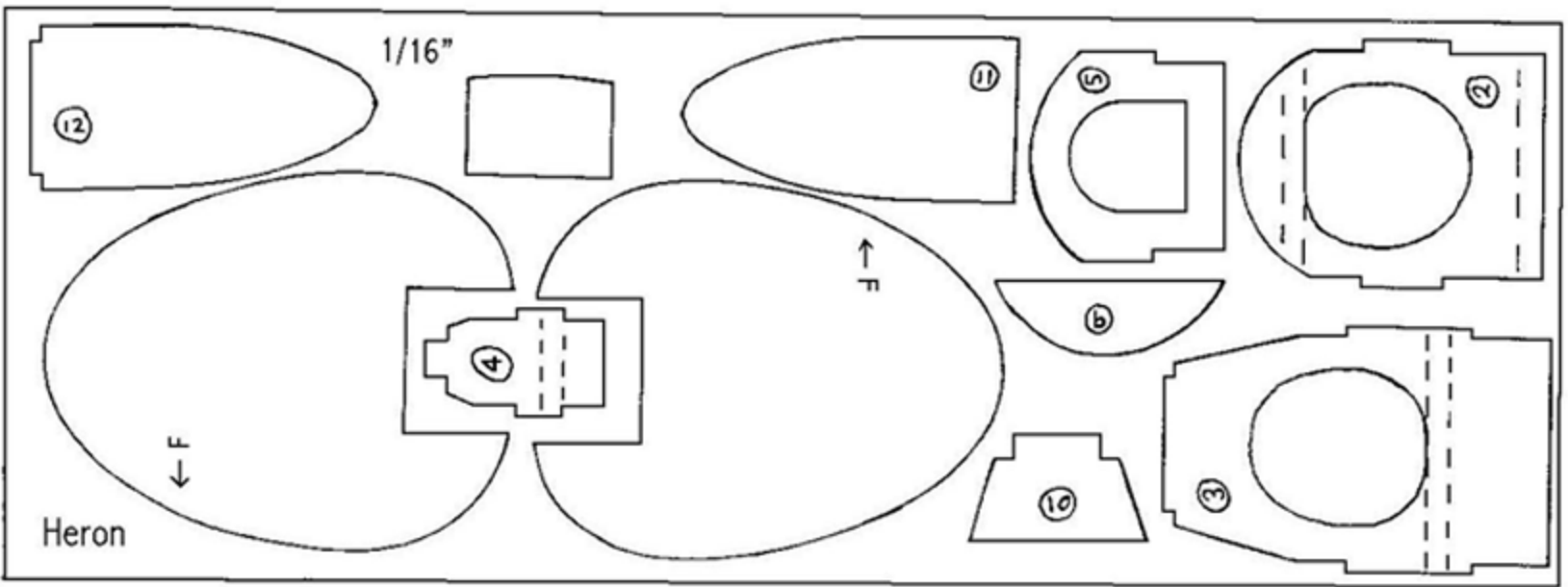
4

←  
F

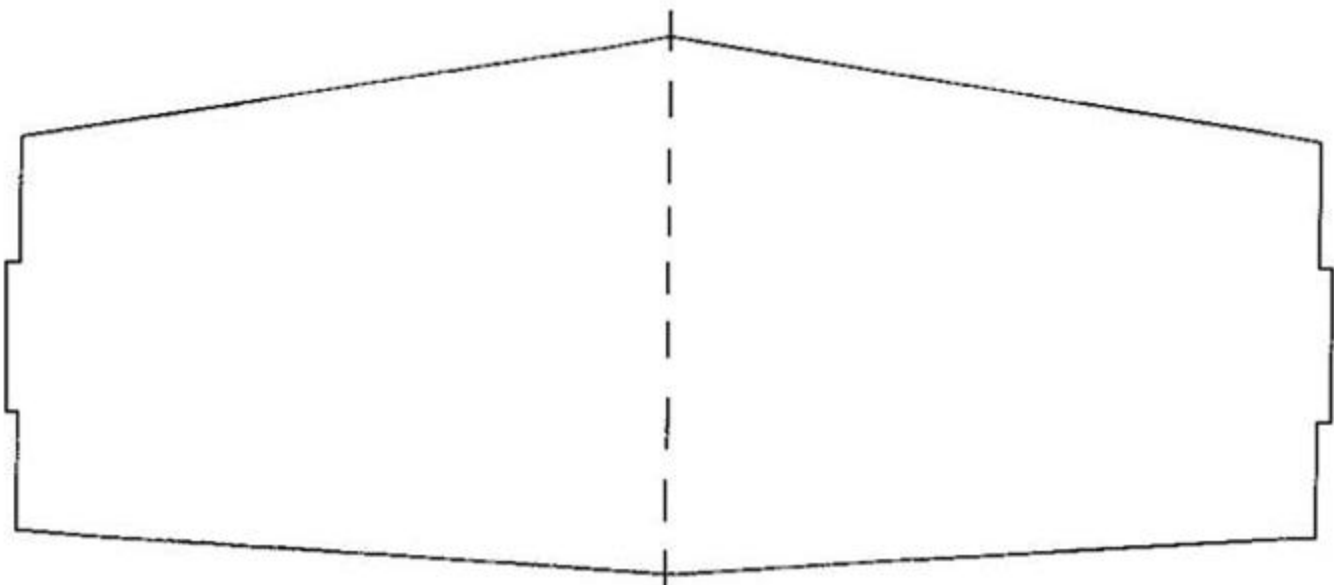
10

3

Heron

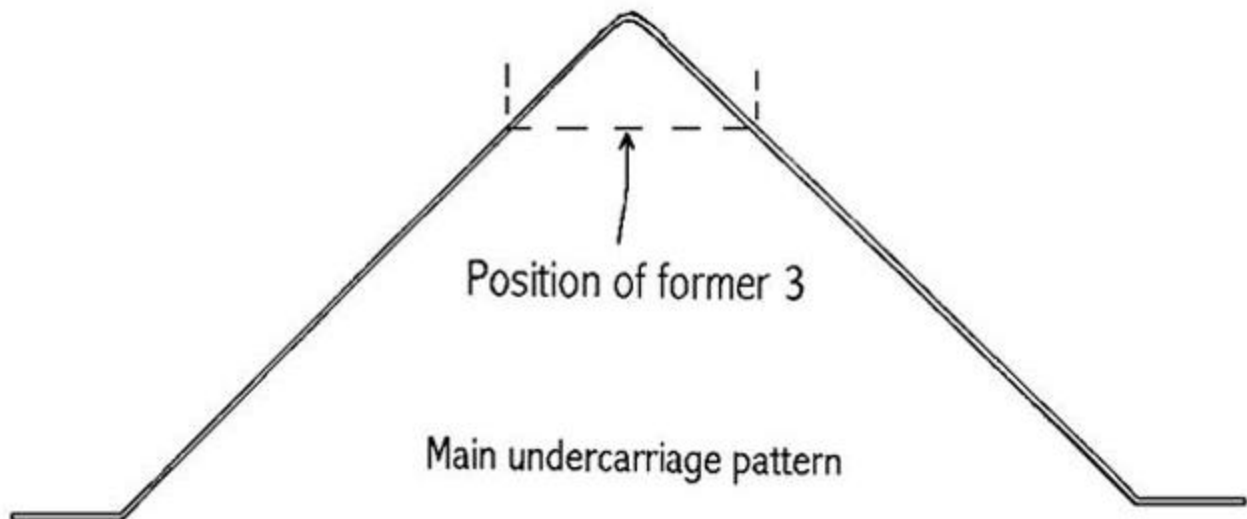


# HERON



Tailplane

1/16" sheet balsa



Position of former 3

Main undercarriage pattern

18 swg spring wire