



"FROG 45" MK. II



SEE SEPARATE LEAFLET FOR INSTRUCTIONS, and NOTICE ABOUT INSURANCE.

ALL PARTS ARE Balsa UNLESS STATED OTHERWISE.

FIG. 1

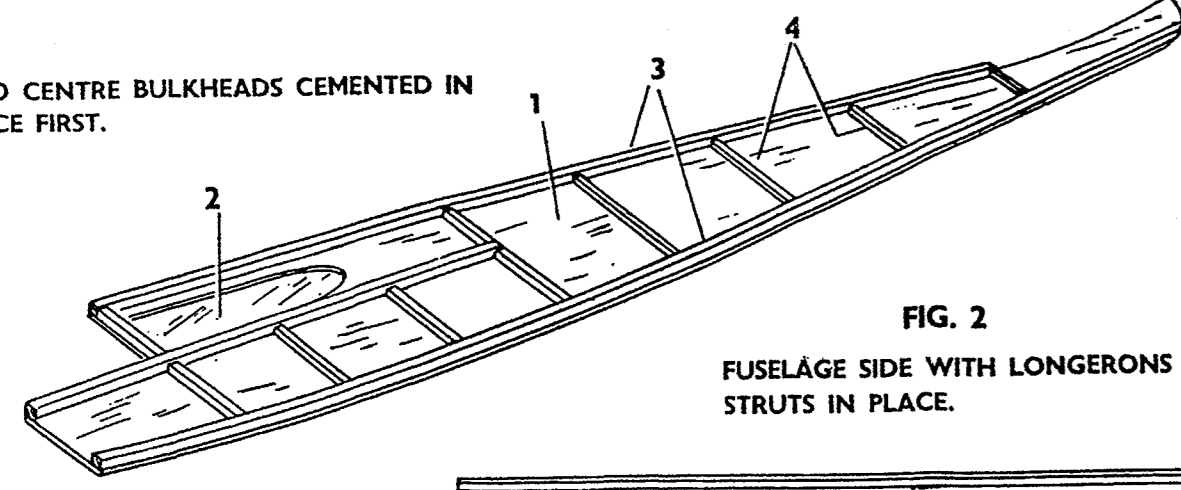


FIG. 2 FUSELAGE SIDE WITH LONGERONS AND STRUTS IN PLACE.

FIG. 3

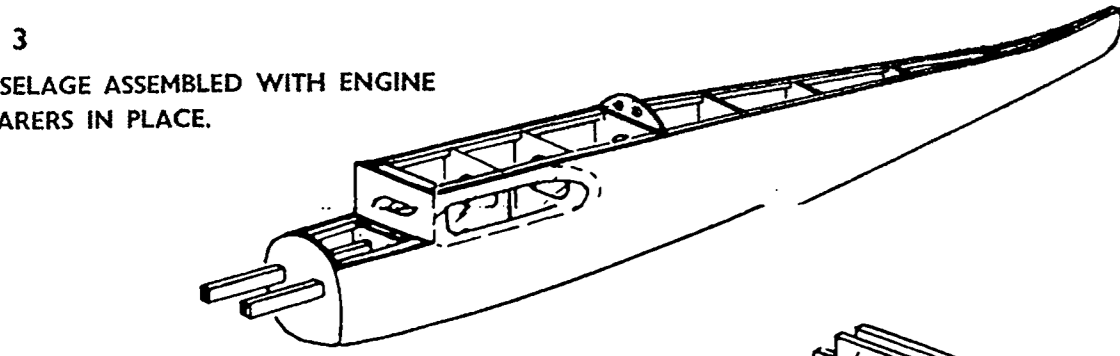


FIG. 4

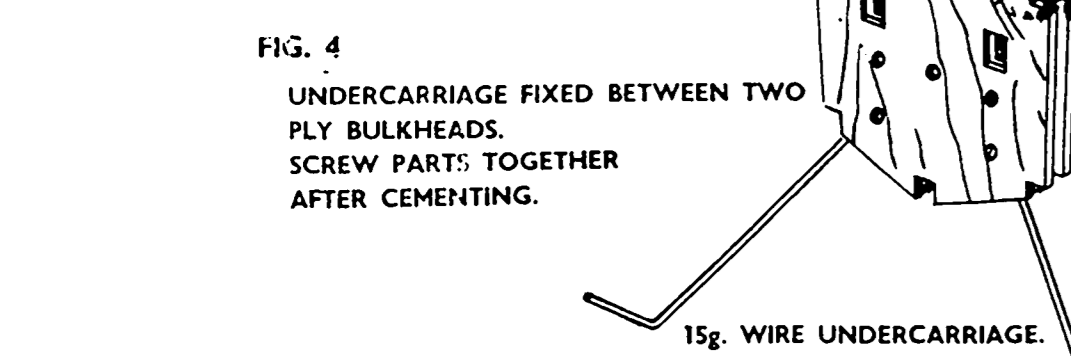


FIG. 5

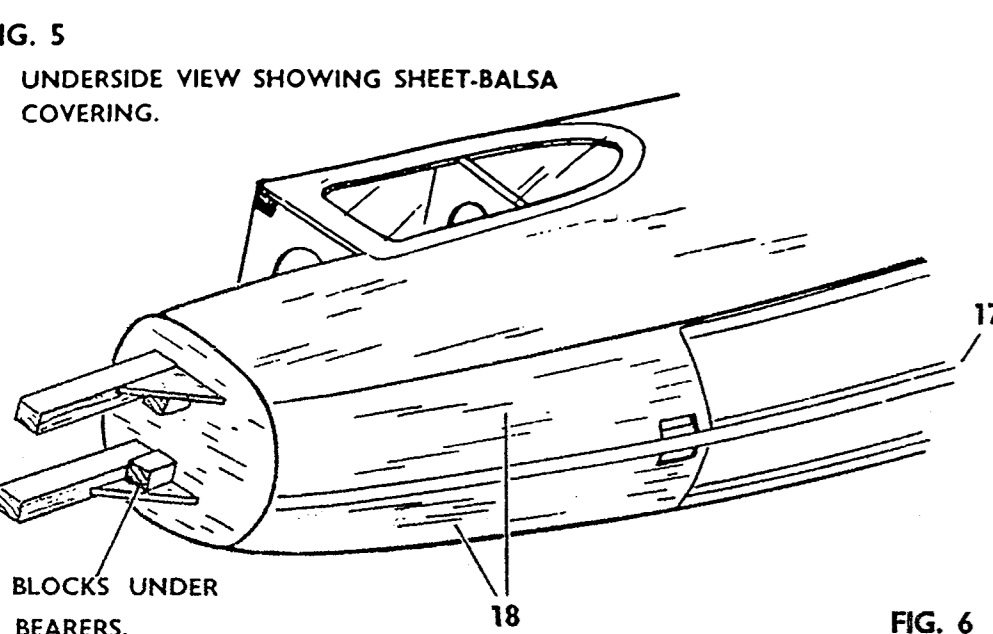


FIG. 6 CUT HOLES IN BLOCKS BEFORE ASSEMBLING.

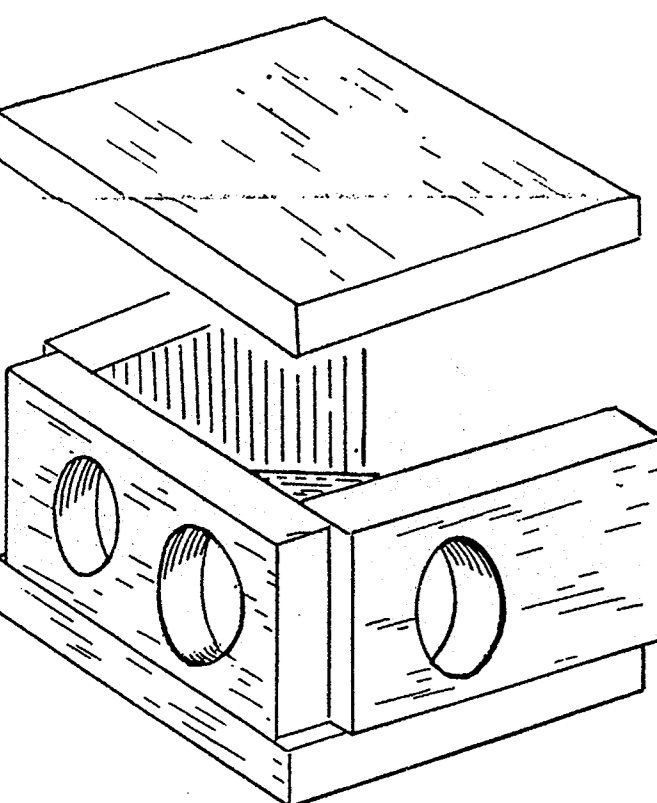


FIG. 7 COWL IS BUILT UP WITH 1/8" SHEET Balsa. CUT AWAY INSIDE OF COWL AS SHOWN IN SIDE VIEW.

FIG. 8

VIEW OF FINISHED COWL SLIDES OFF FORWARDS IN ONE PIECE.

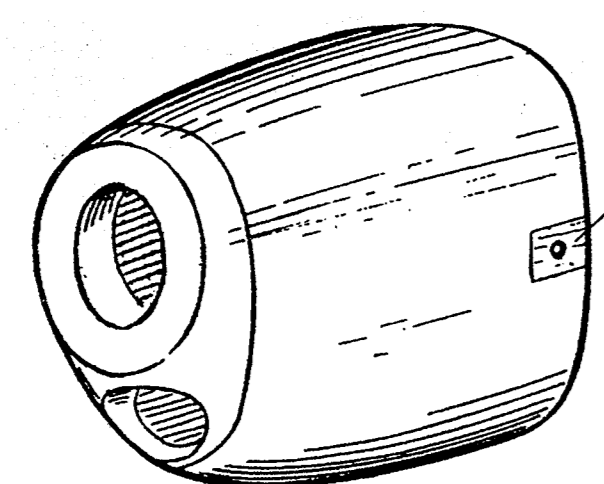
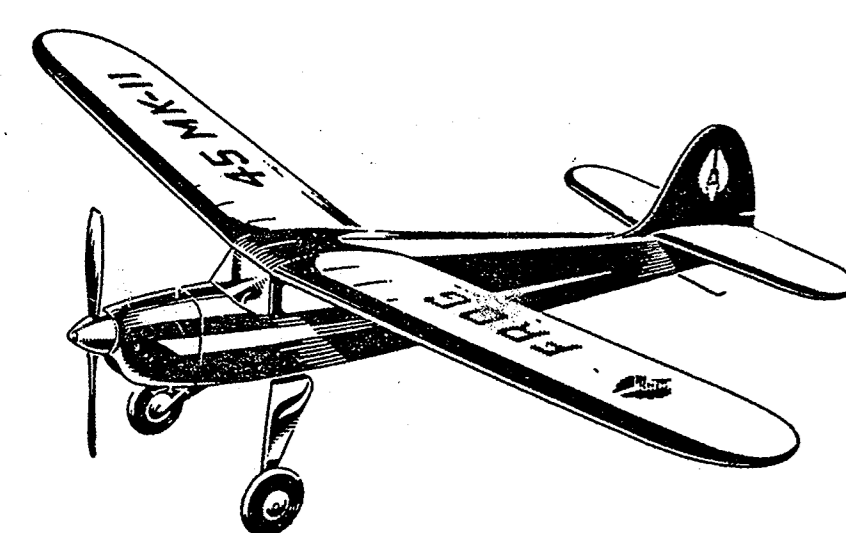
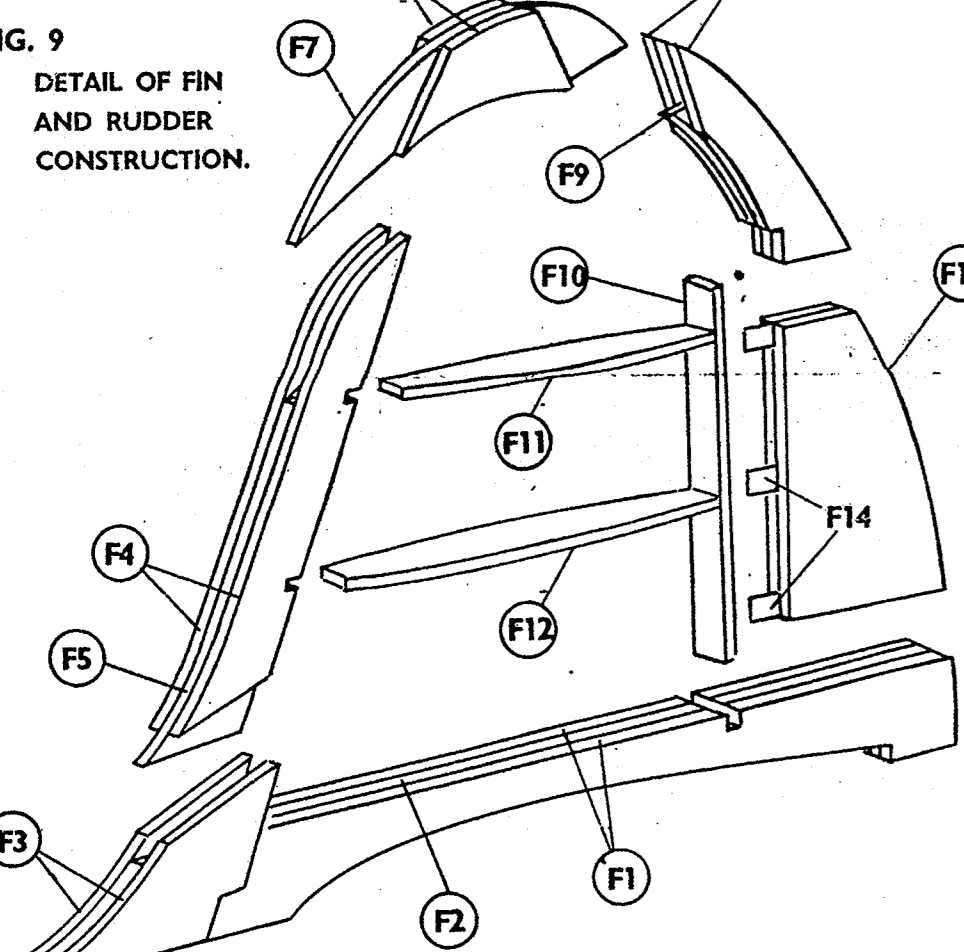


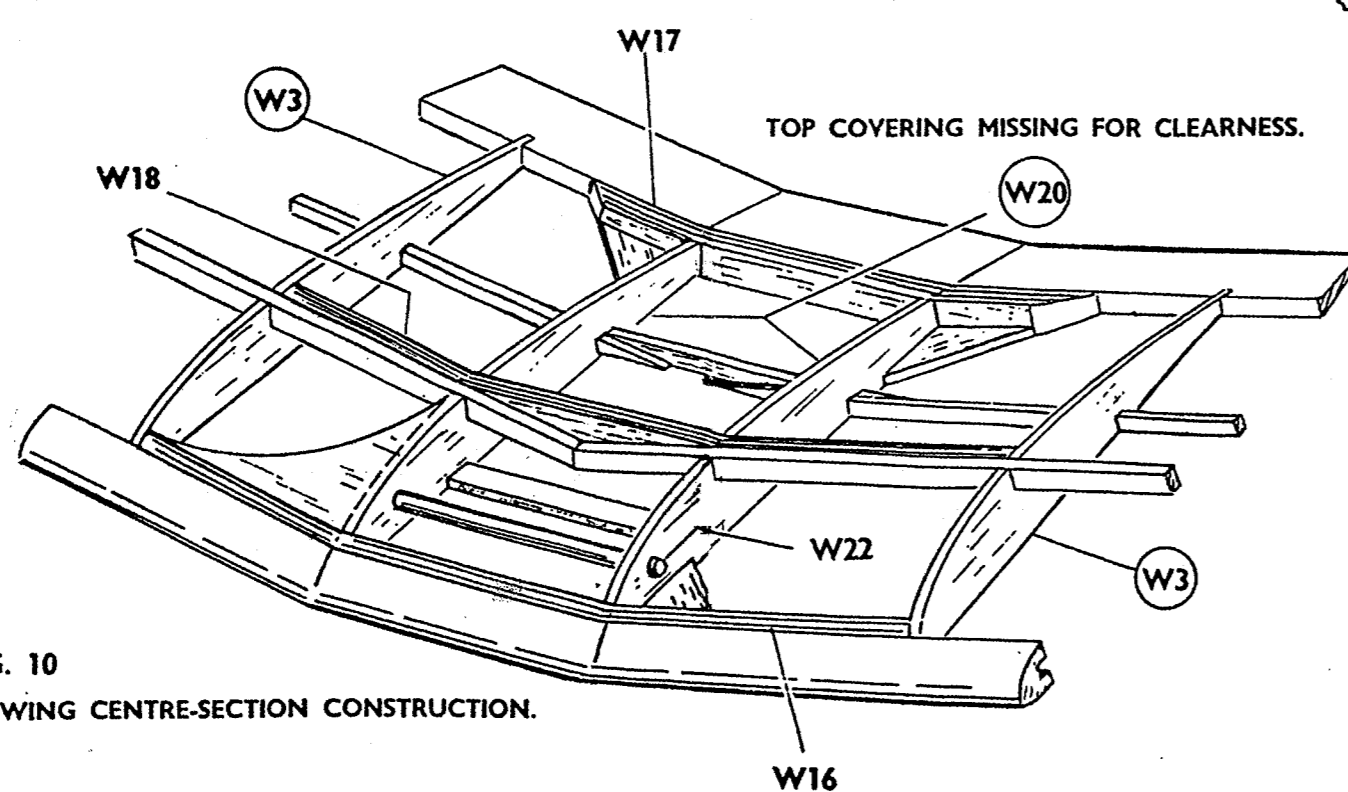
FIG. 9



VIEW OF FINISHED MODEL.

FIG. 10

WING CENTRE-SECTION CONSTRUCTION.



SPECIFICATION:	
SPAN	45ins.
LENGTH	30ins.
WEIGHT	14-14 1/2 ozs.
WING AREA	260 sq. ins.
WING LDG.	7 1/2 ozs. sq. ft.

