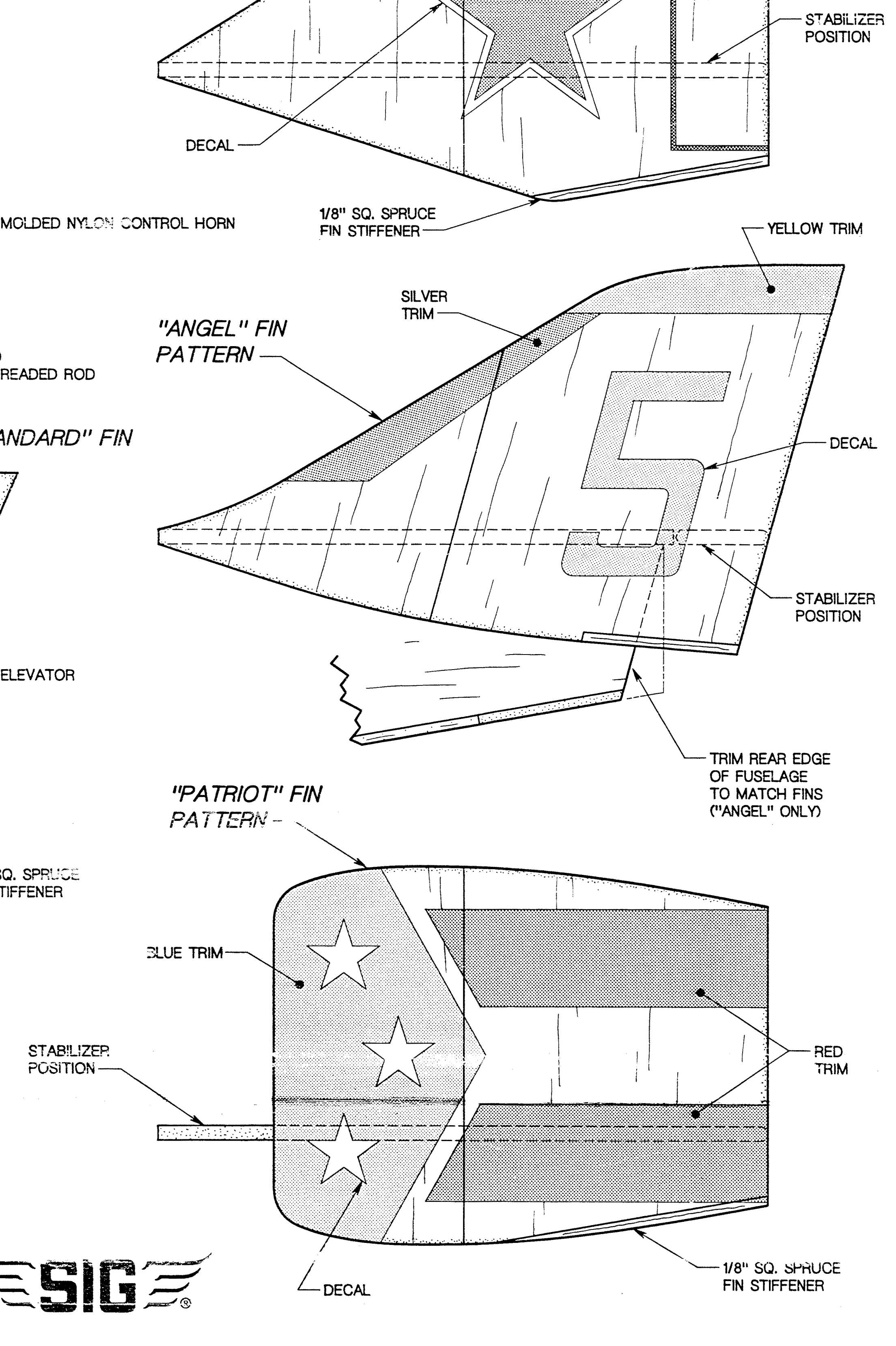
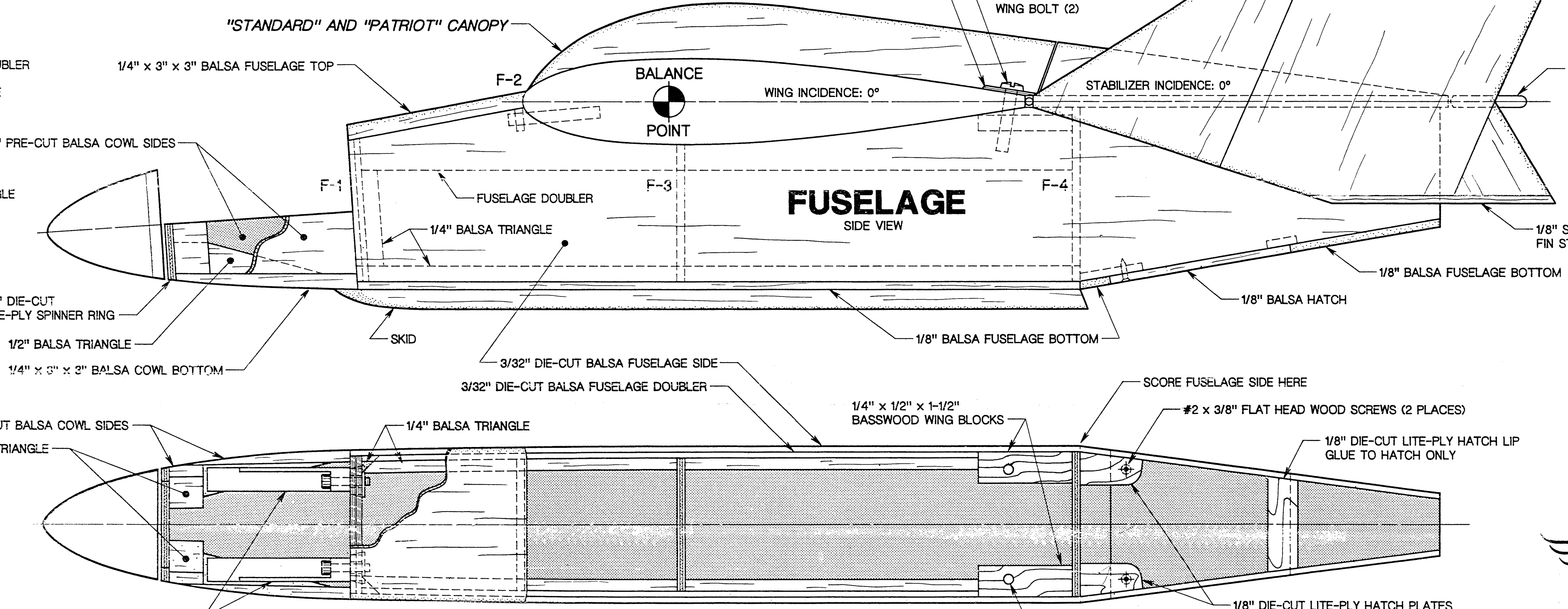
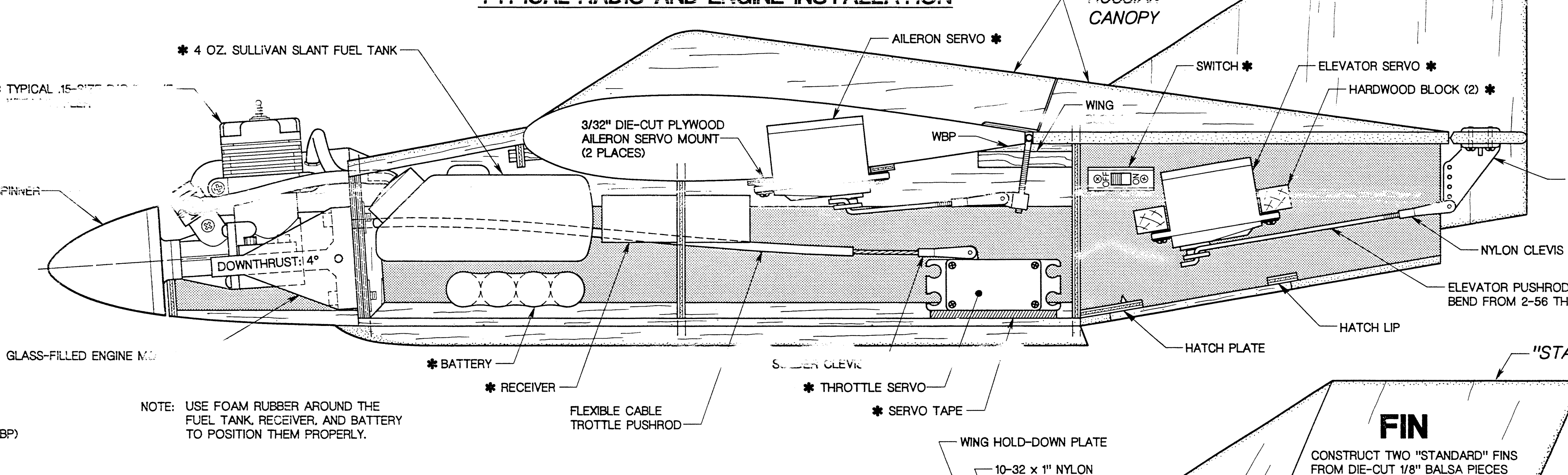
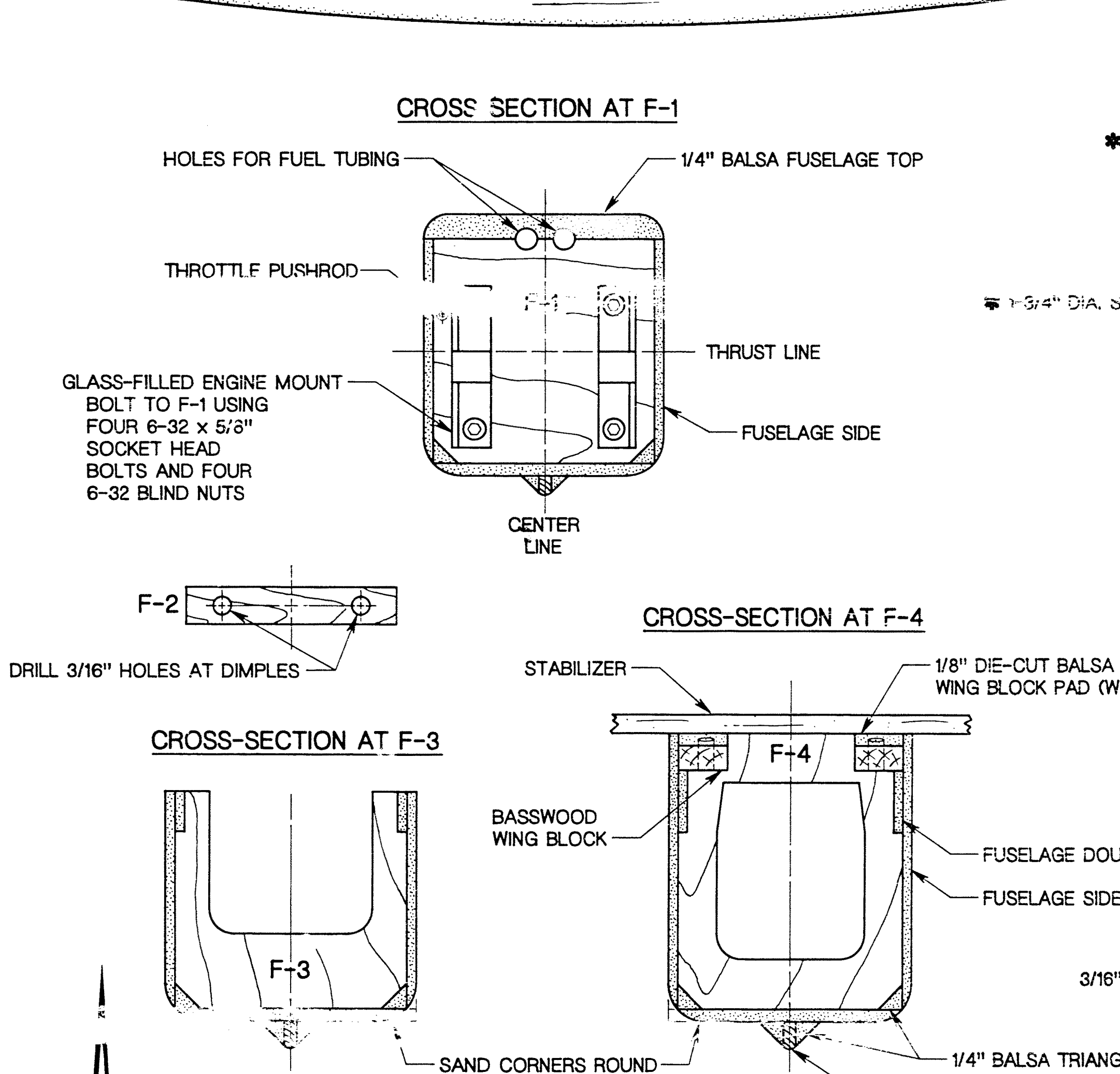
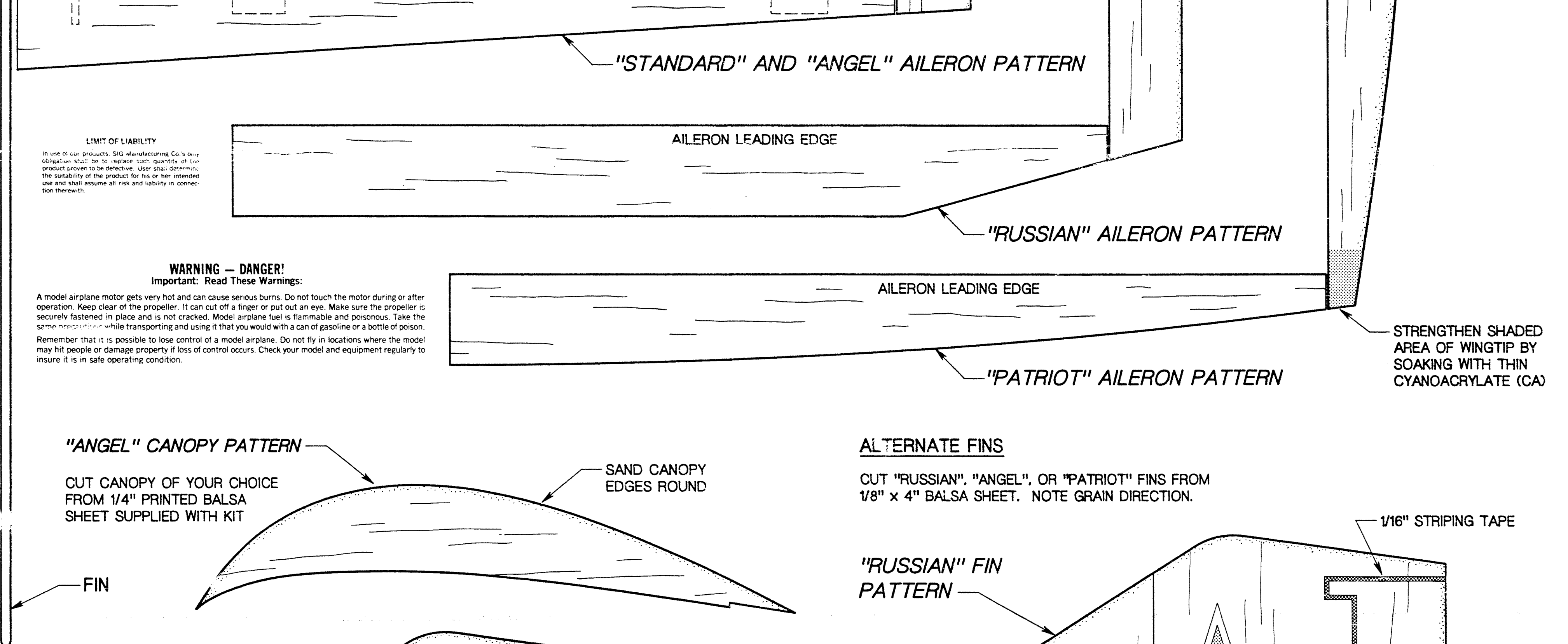
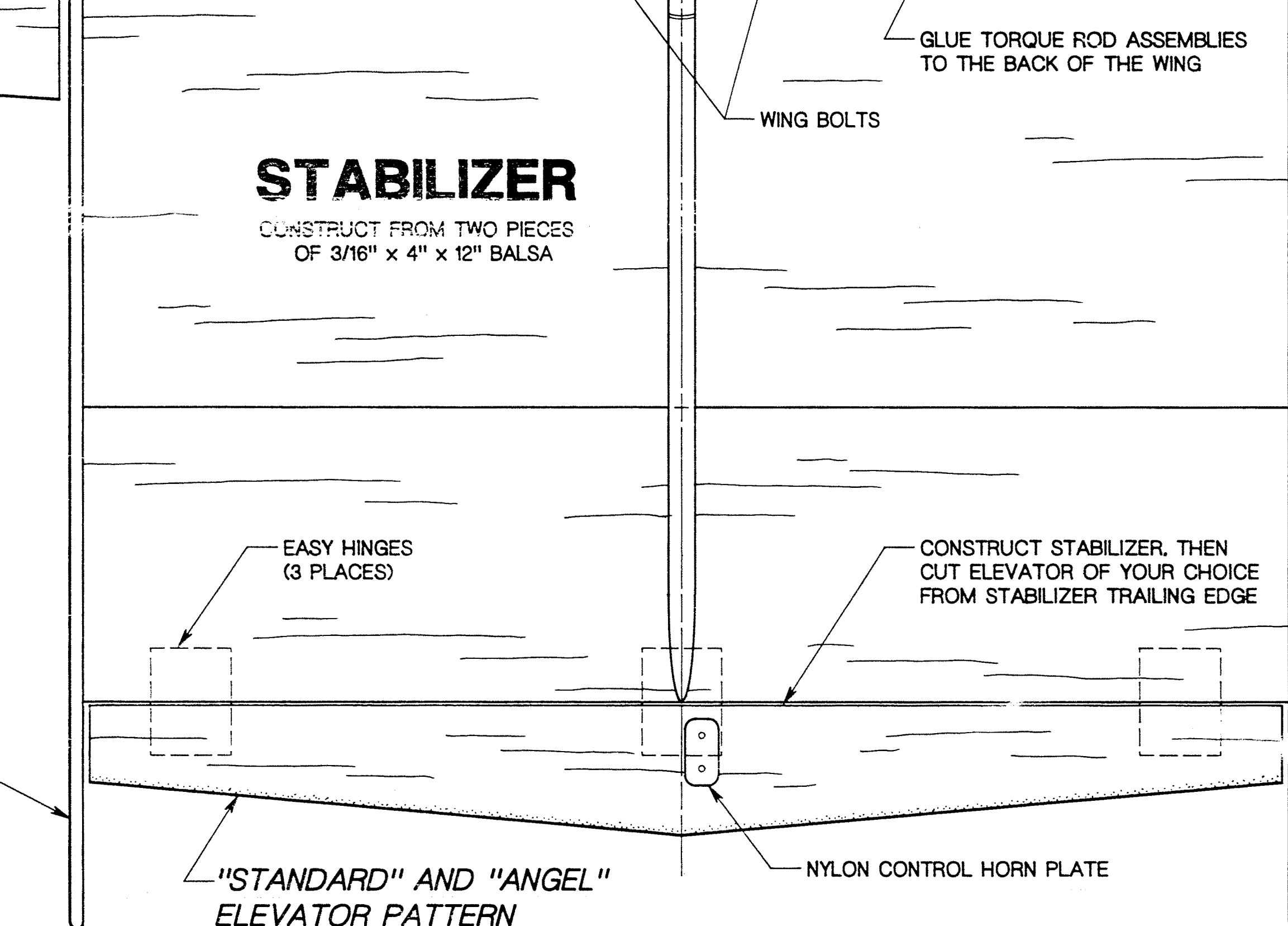
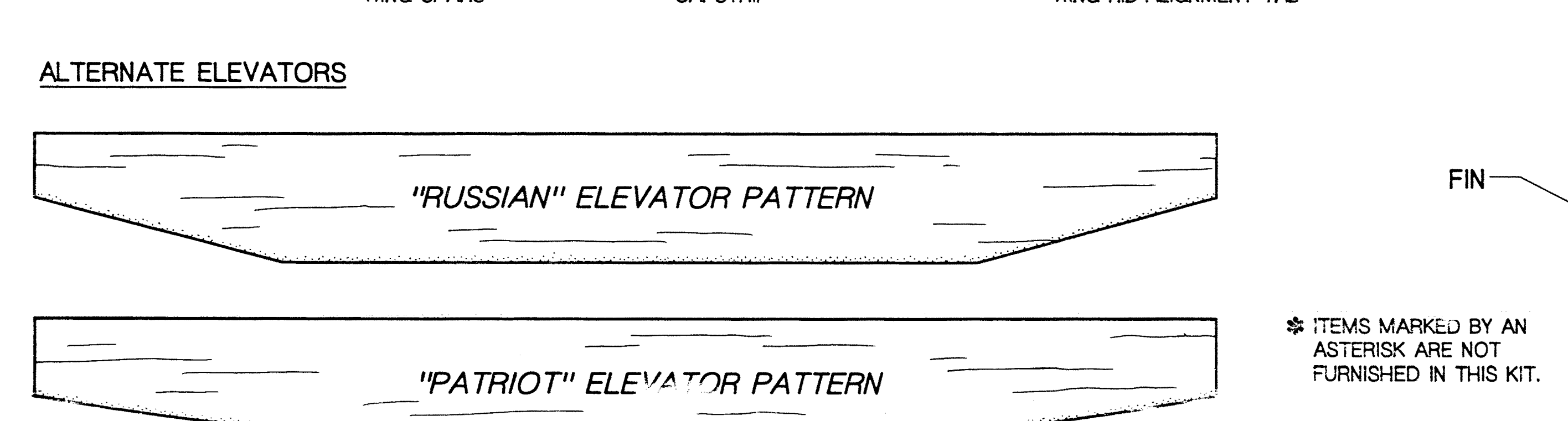
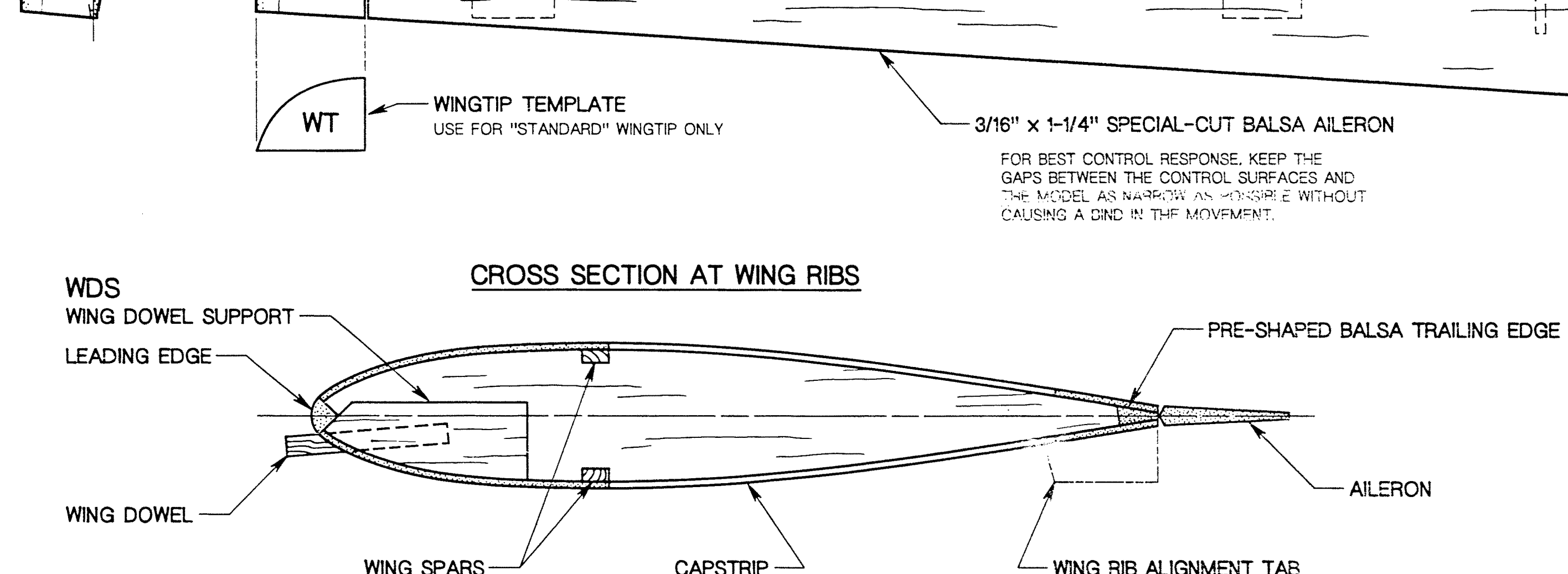
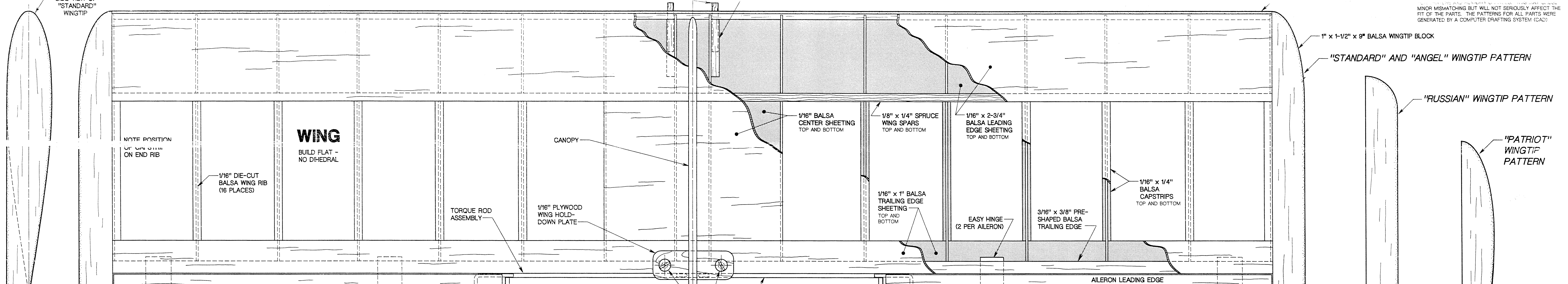


MINOR MISMATCHING BUT WILL NOT SERIOUSLY AFFECT THE FIT OF THE PARTS. THE PATTERNS FOR ALL PARTS WERE GENERATED BY A COMPUTER DRAFTING SYSTEM (CAD).



WONDER

DESIGNED AND DRAWN BY: BRUCE THARPE

WINGSPAN: 37-1/2 in.

WING AREA: 338 sq. in.

WEIGHT: 26 - 38 oz.

RECOMMENDED ENGINES: .09 - .19 cu. in.

WONDER RC-68