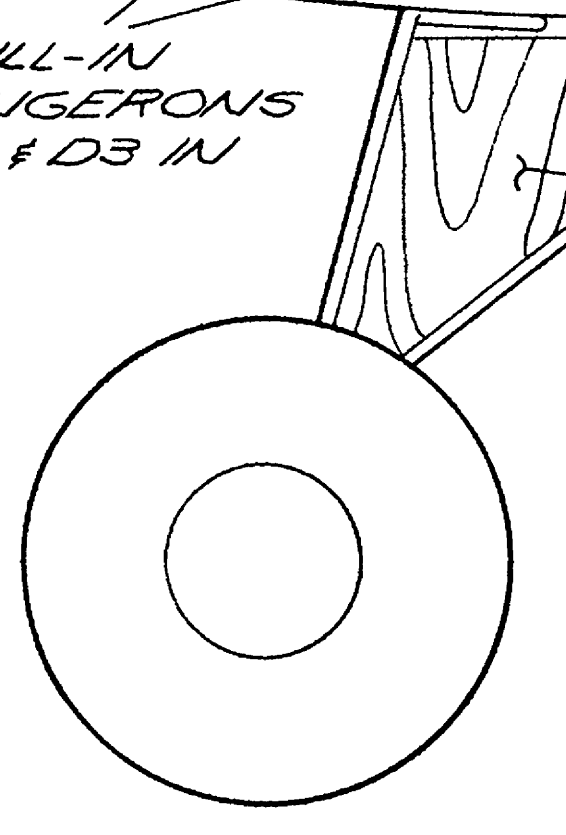
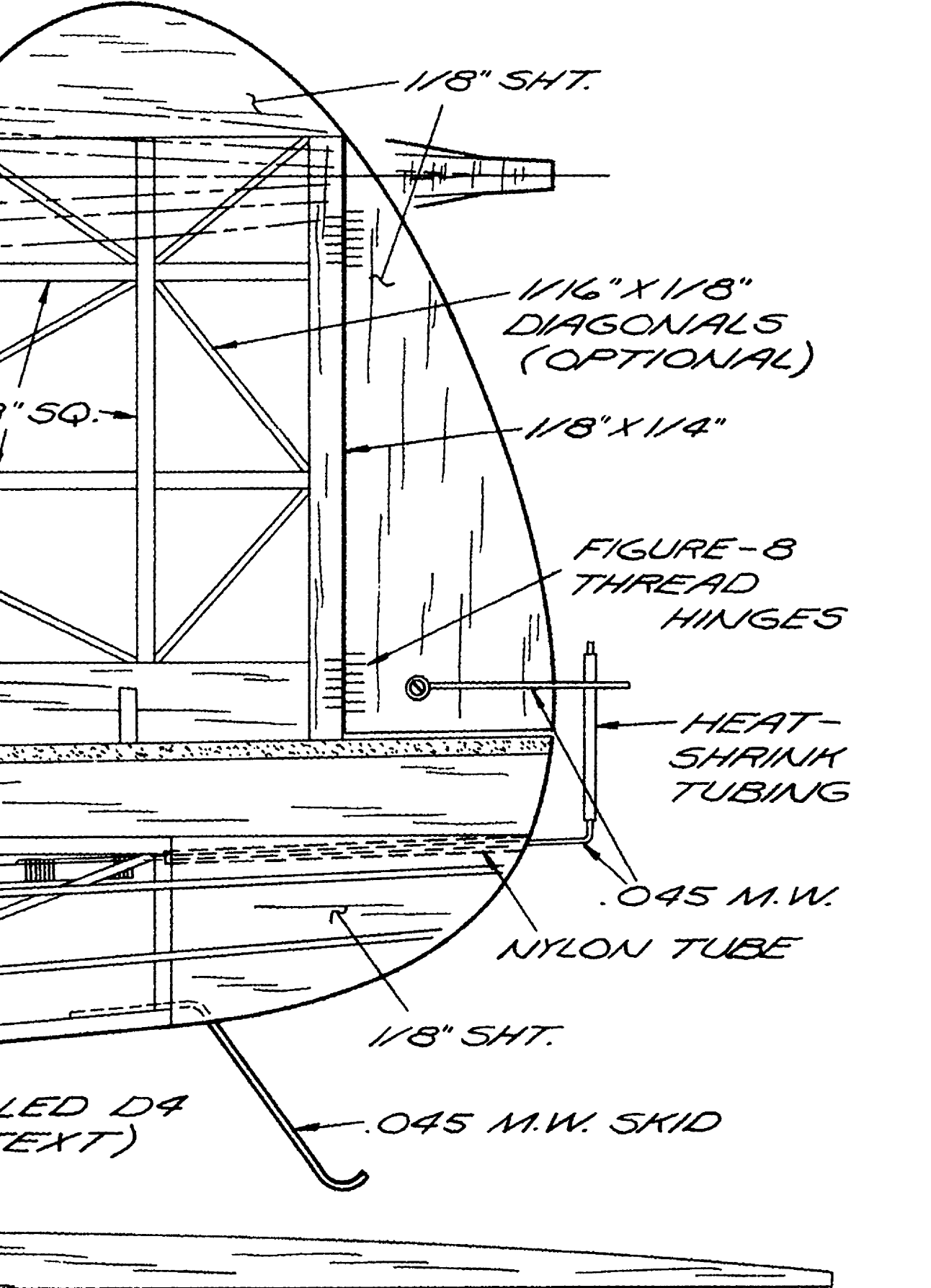
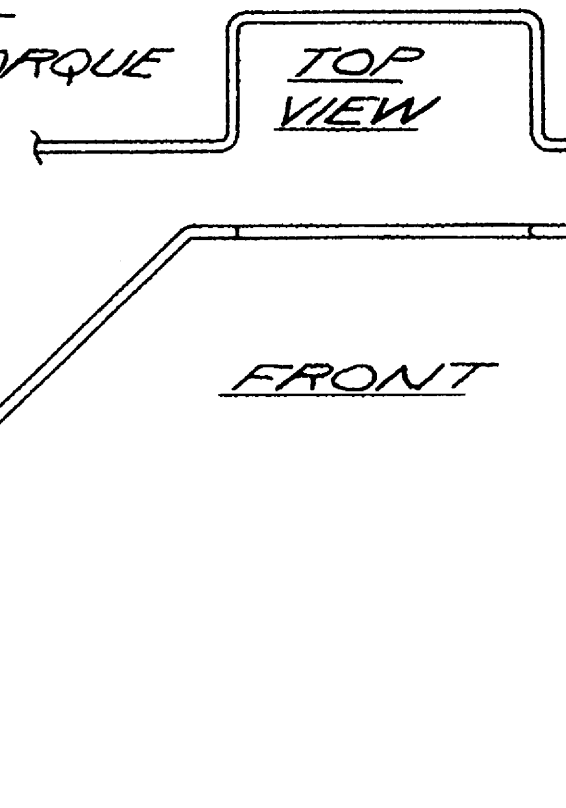


BULKHEADS & FORMERS:
 A, B, C, D - 3/32" PLY.
 E, F, G, H - 1/16" SHT.

1/8" PLY. PLATE GLUED TO BACK OF "A"



2-1/2" WHEELS



L.G. PATTERNS - BEND FROM 1/16" M.W., BIND & EPOXY TO 1/8" PLY. MOUNTS

WEST-NER
 DESIGNED BY DOC MATHEWS
 DRAWN FOR MB BY PHIL BERNHARDT
 SPAN - 57" AREA - 350 SQ. IN.
 LENGTH - 36"
 POWER - COX "GOLDEN BEE" .049

0 1 2 3 4 5 6
 inches

MODEL BUILDER
 1105 Spurgeon, Santa Ana, California 92701
magazine

Plan No: 4761