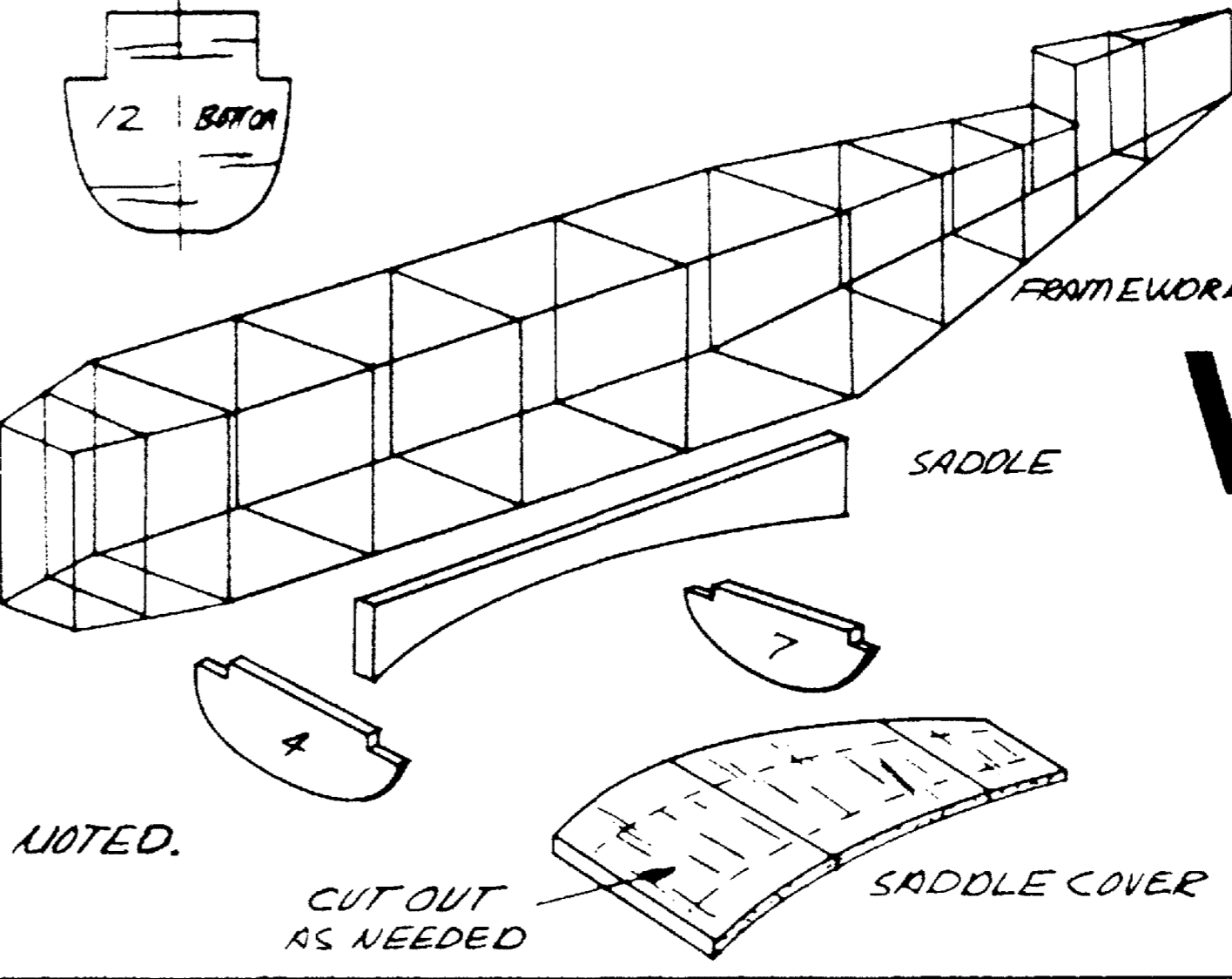


WACO PT-14/UPF-7 SPECIFICATIONS	
WING AREA	TOP 422.5" BOTTOM 396.0" TOTAL 818.5"
WING CORD	8.6"
WING SPAN	TOP 54.6" BOTTOM 48.2"
ASPECT RATIO	TOP 6.35 BOTTOM 5.60
NOSE ARM	11.1" 20.3%
TAIL ARM	26.3" 48.2%
HORIZONTAL STAB AREA	120" 14.7%
VOLUME	45
VERTICAL STAB AREA	52" 6.4%
VOLUME	03
LENGTH	43.0"
WEIGHT	6.0 LBS.
WING LOADING	16.5 oz./sq.
ENGINE	.40-.60

DESIGNED & DRAWN BY:  
R. L. STEELY  
TRACED FOR M.B. BY: S.A. PATTERSON



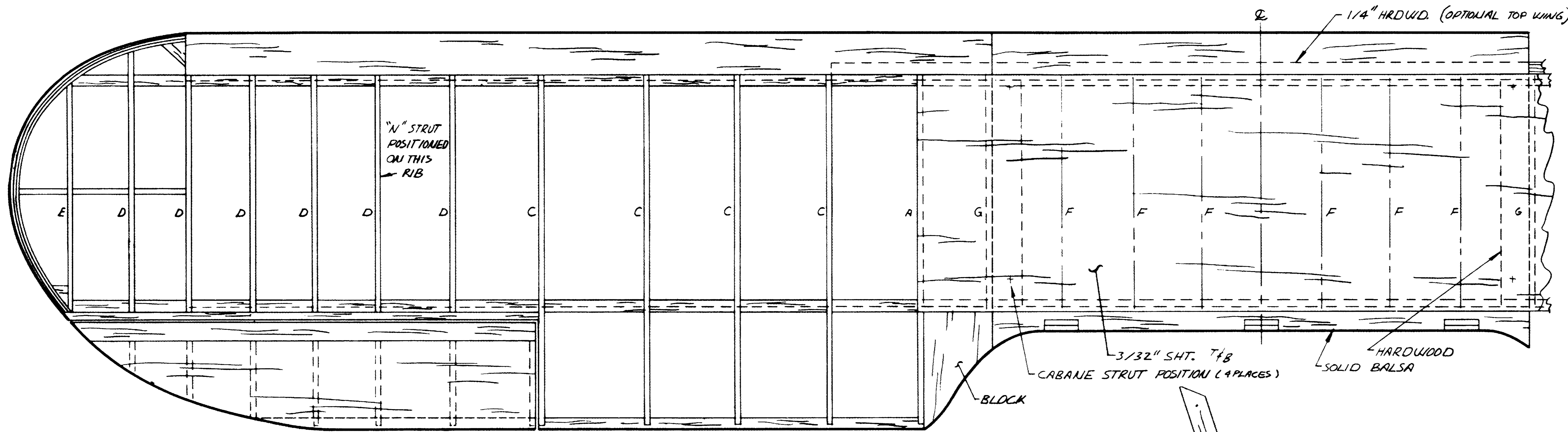
**WACO PT-14/UPF-7**  
FOR STRAND-OFF SCALE 1.8" - 1"

0 1 2 3 4 5 6 inches

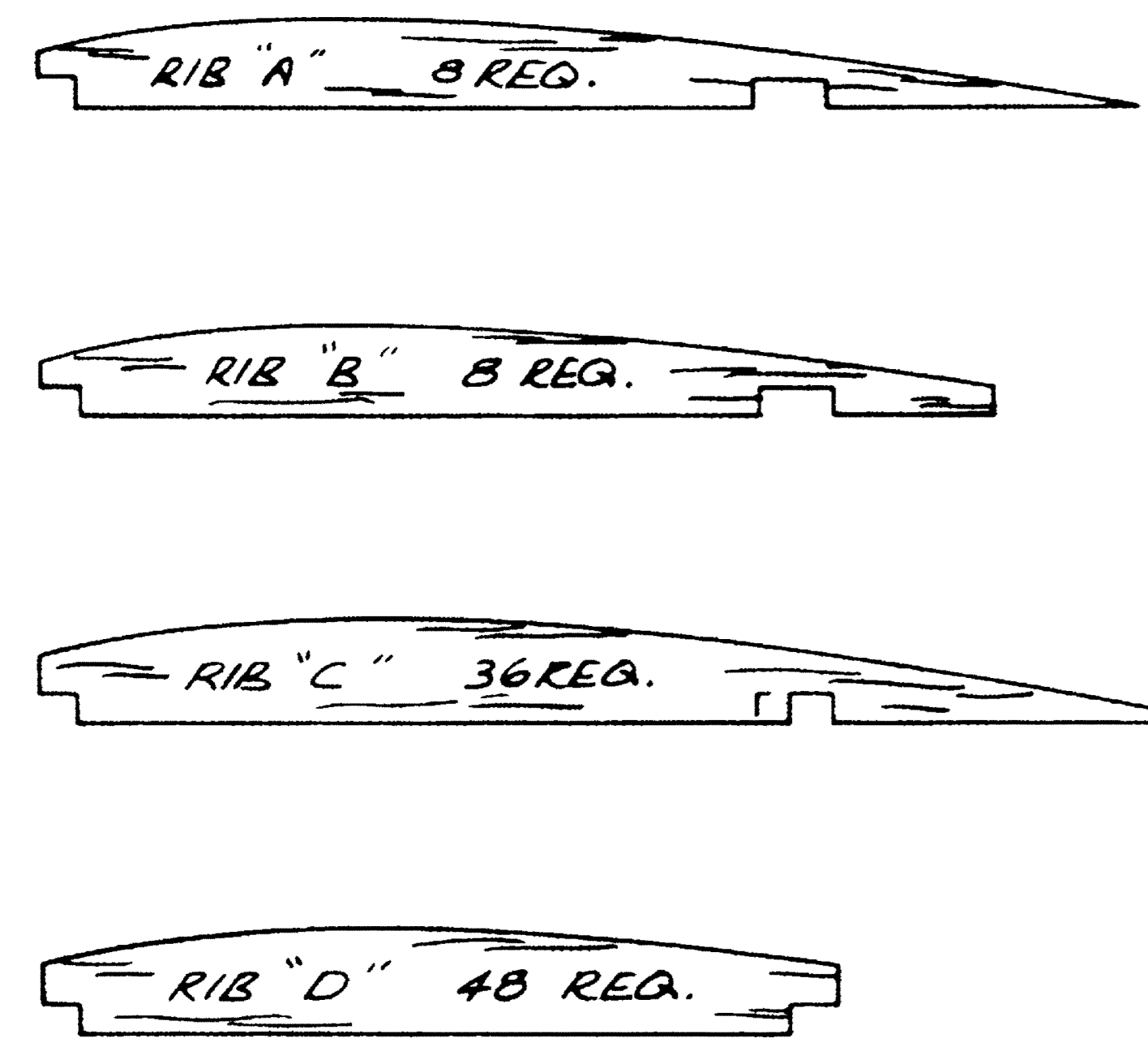
**MODEL BUILDER** magazine  
621 W. HUIETEEKETH ST.  
COSTA MESA, CALIF. 92627

Plan No: 3771-A

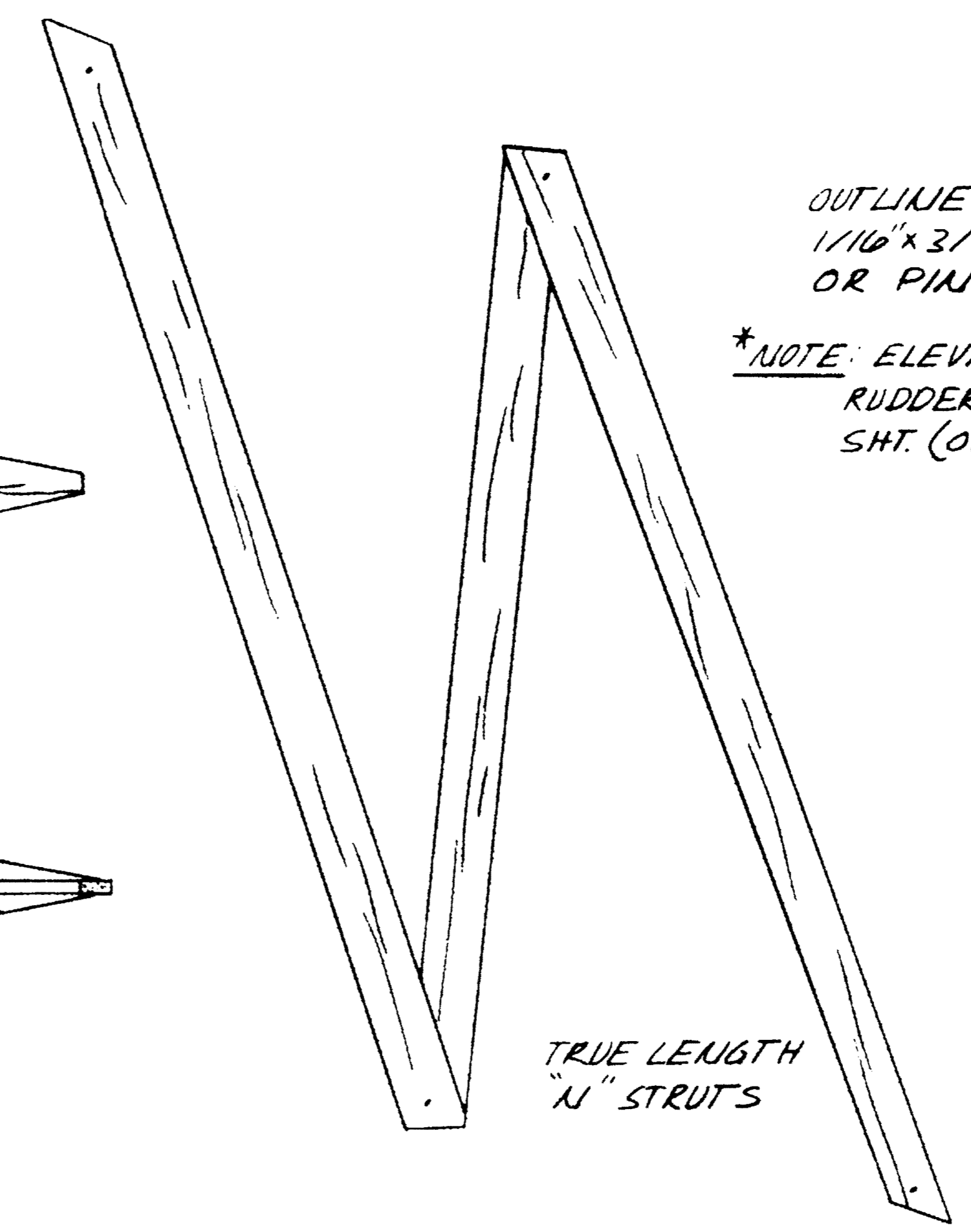
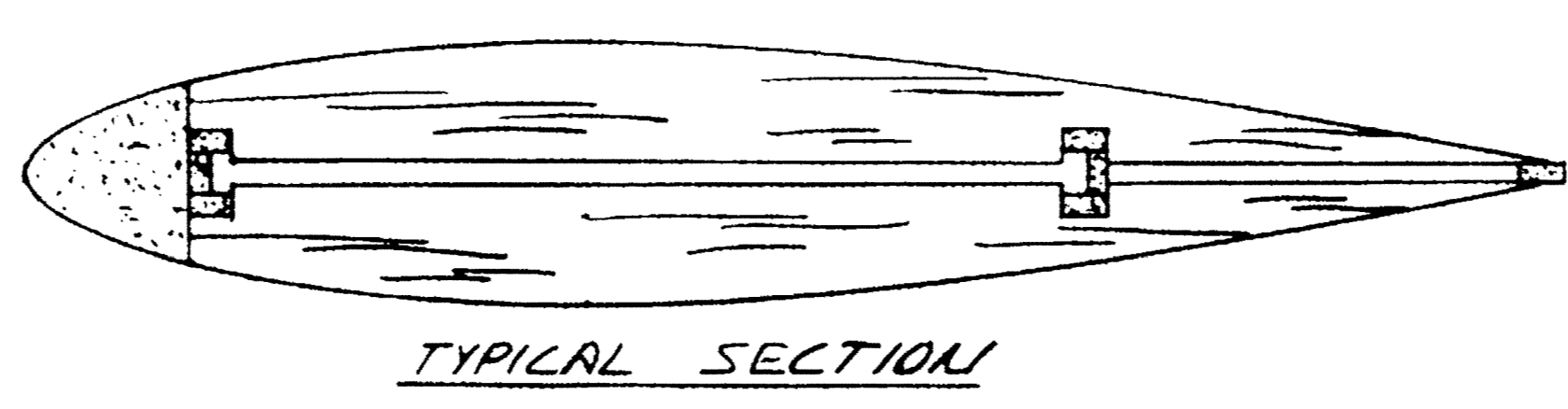
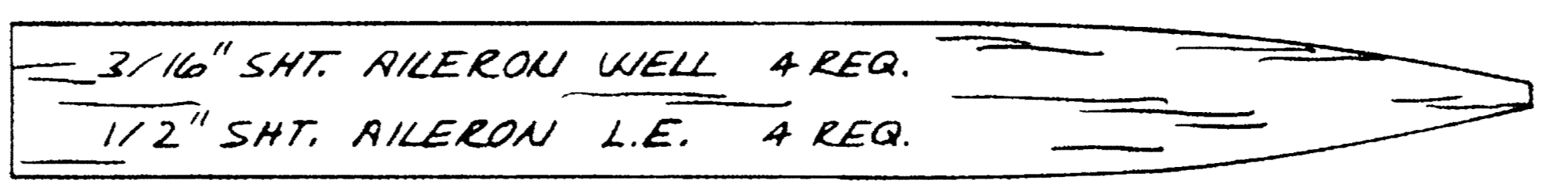
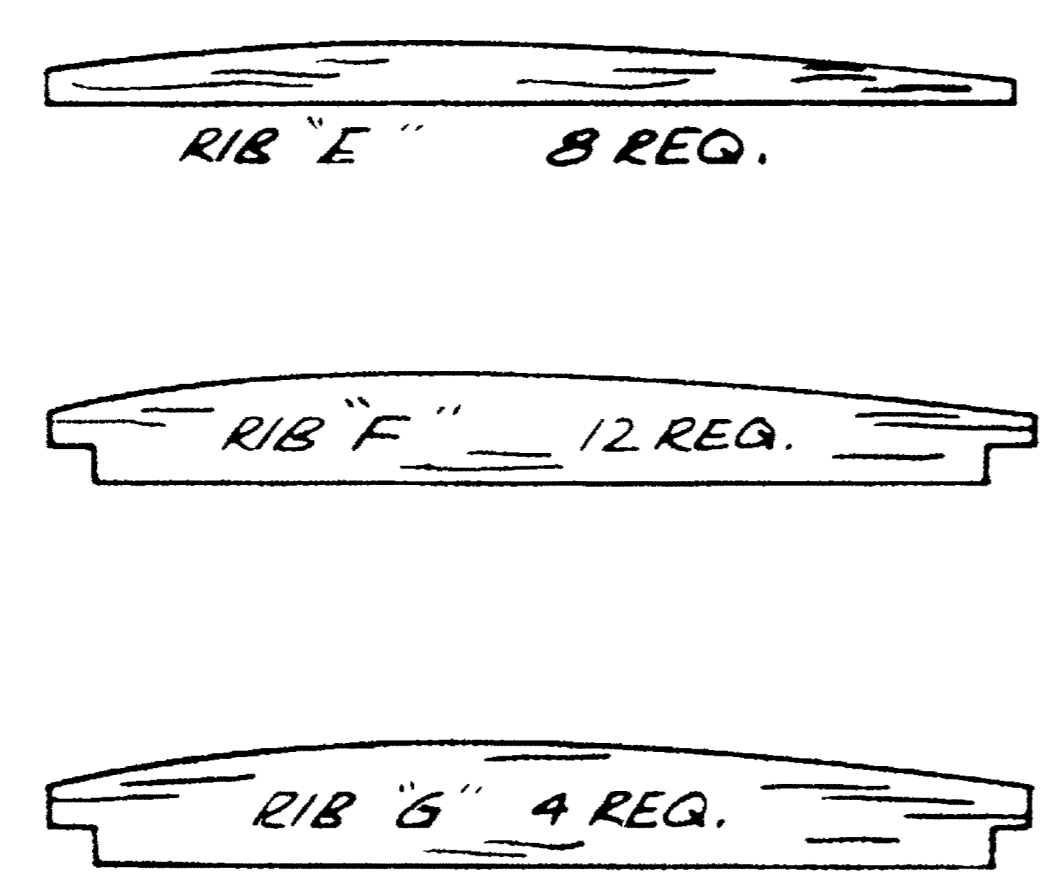
\*NOTE: ALL PARTS Balsa UNLESS OTHERWISE NOTED.



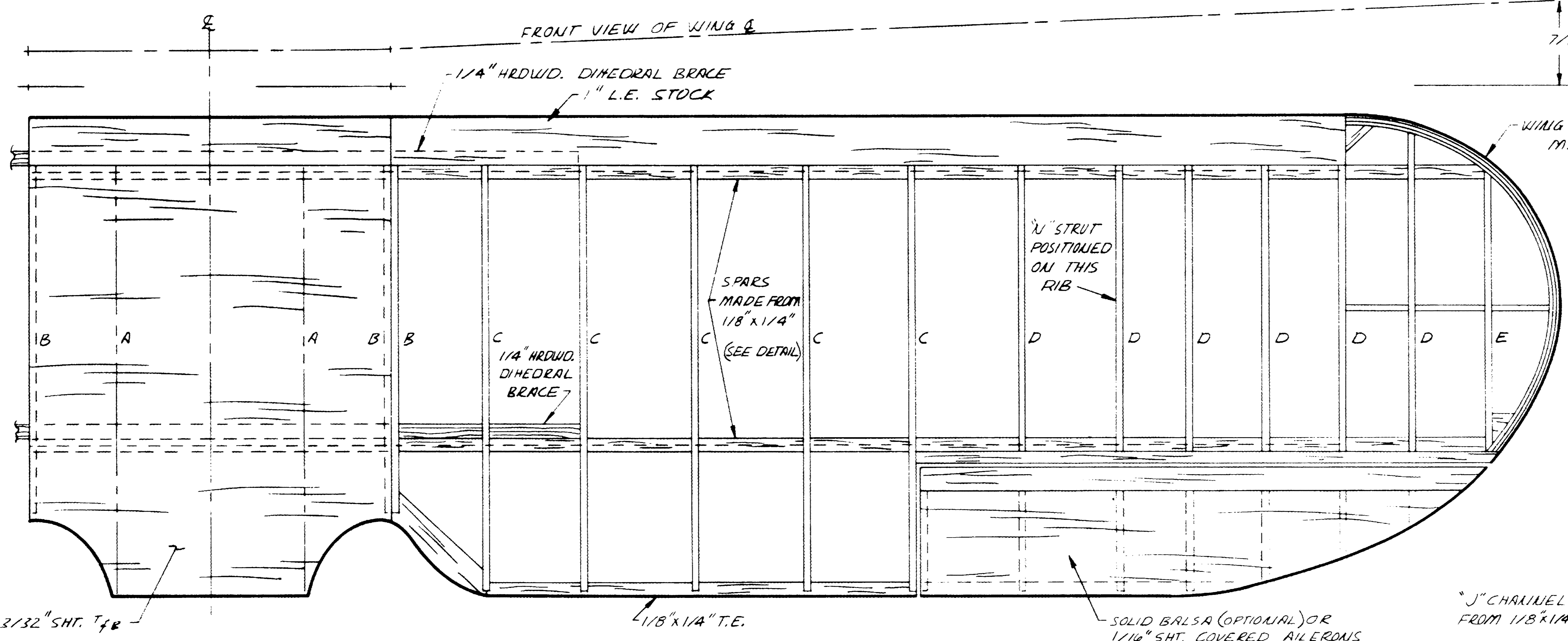
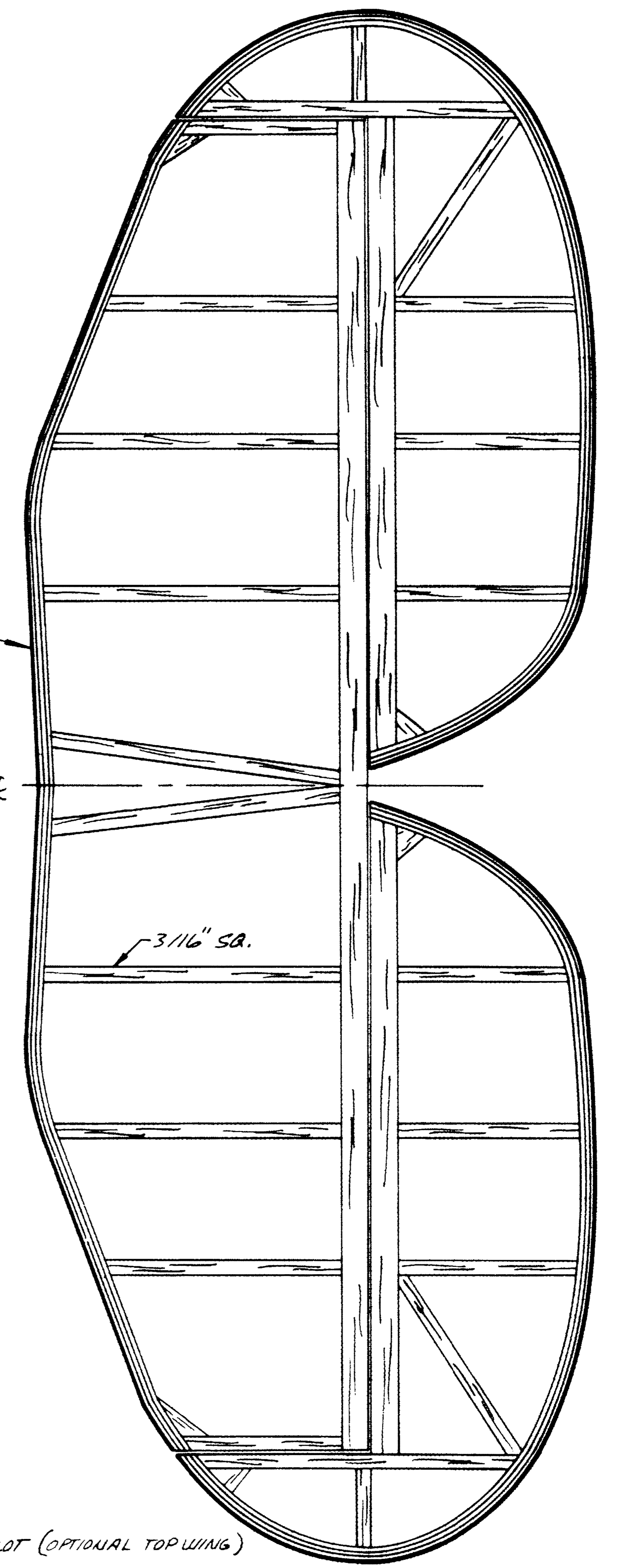
\*NOTE: TOP WING IS BUILT IN ONE PIECE STAGGER SPAR SPICES IN CENTER SECTION.



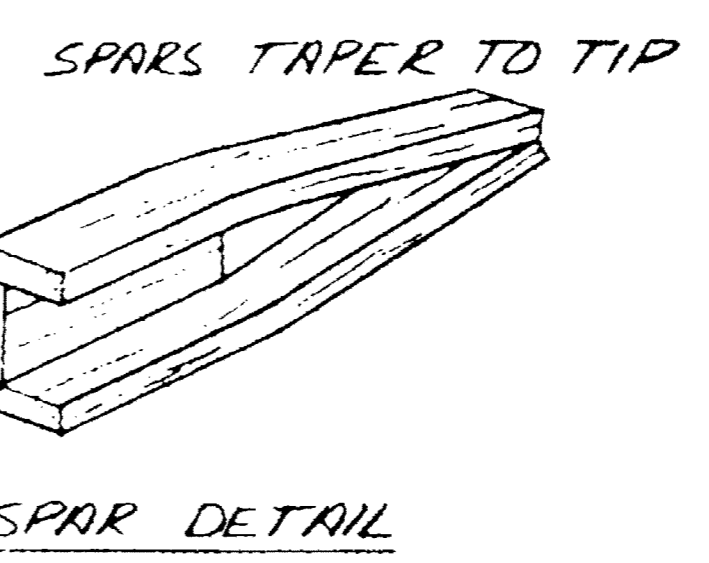
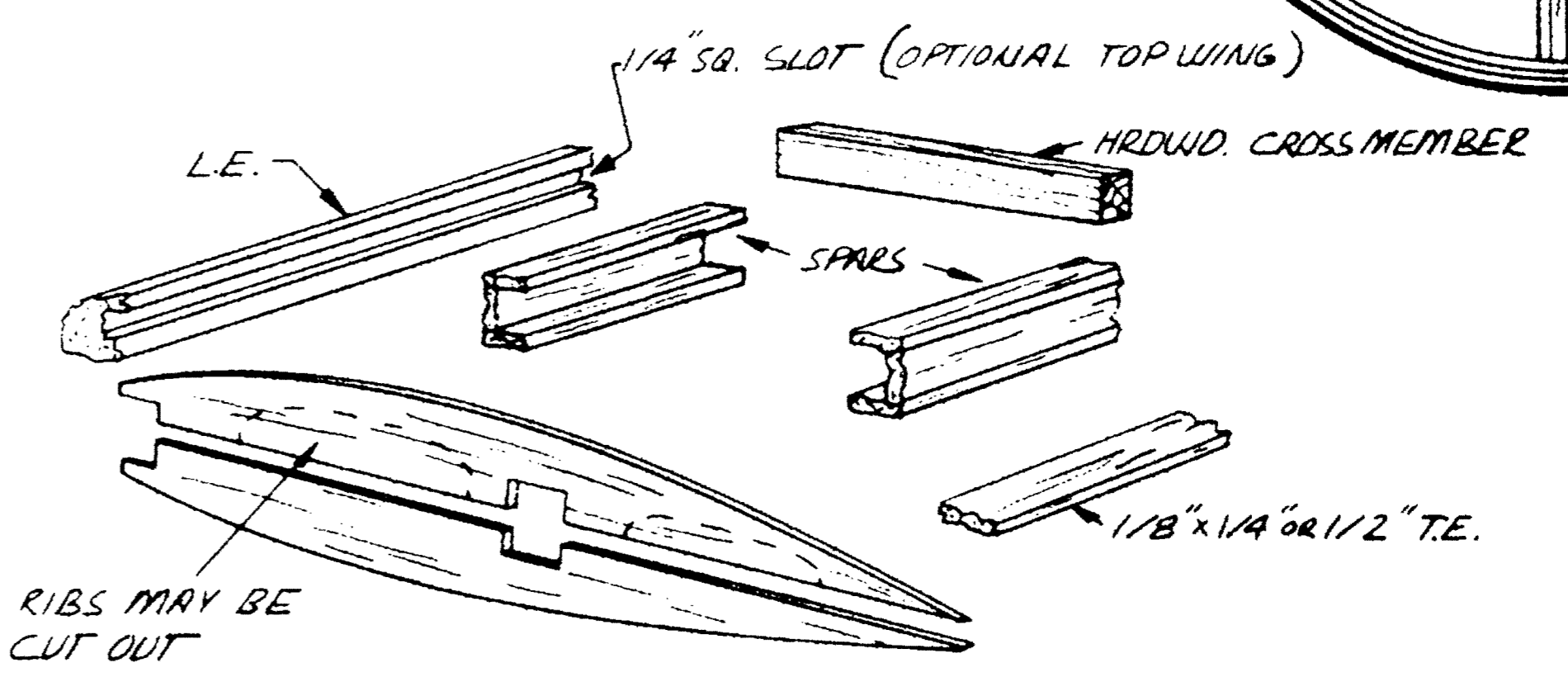
\*NOTE: RIBS ARE MADE IN 1/2'S (TOP & BOTTOM) TO FORM A TOTAL SYMMETRICAL SECTION



OUTLINE 3 LAMS. 1/16" x 3/16" Balsa OR PINE.  
\*NOTE: ELEVATOR & RUDDER CAN BE SHT. (OPTIONAL)



WING TIPS 3 LAMS. 1/16" Balsa OR PINE MAY BE ALUM. TUBING OR SHT. (OPTIONAL)



\*"J" CHANNEL FROM 1/8" x 1/4"

3/32" SHT. T.F.B.

1/8" x 1/4" T.E.

SOLID Balsa (OPTIONAL) OR 1/16" SHT. COVERED AILERONS

\*NOTE: ALL PARTS Balsa UNLESS OTHERWISE NOTED.

# WACO PT-14 / UPF-7

BY: R.L. STEELY



MODEL BUILDER magazine  
621 W. NIJMETEEN ST.  
COSTA MESA, CALIF. 92627

Plan No: 3771-B