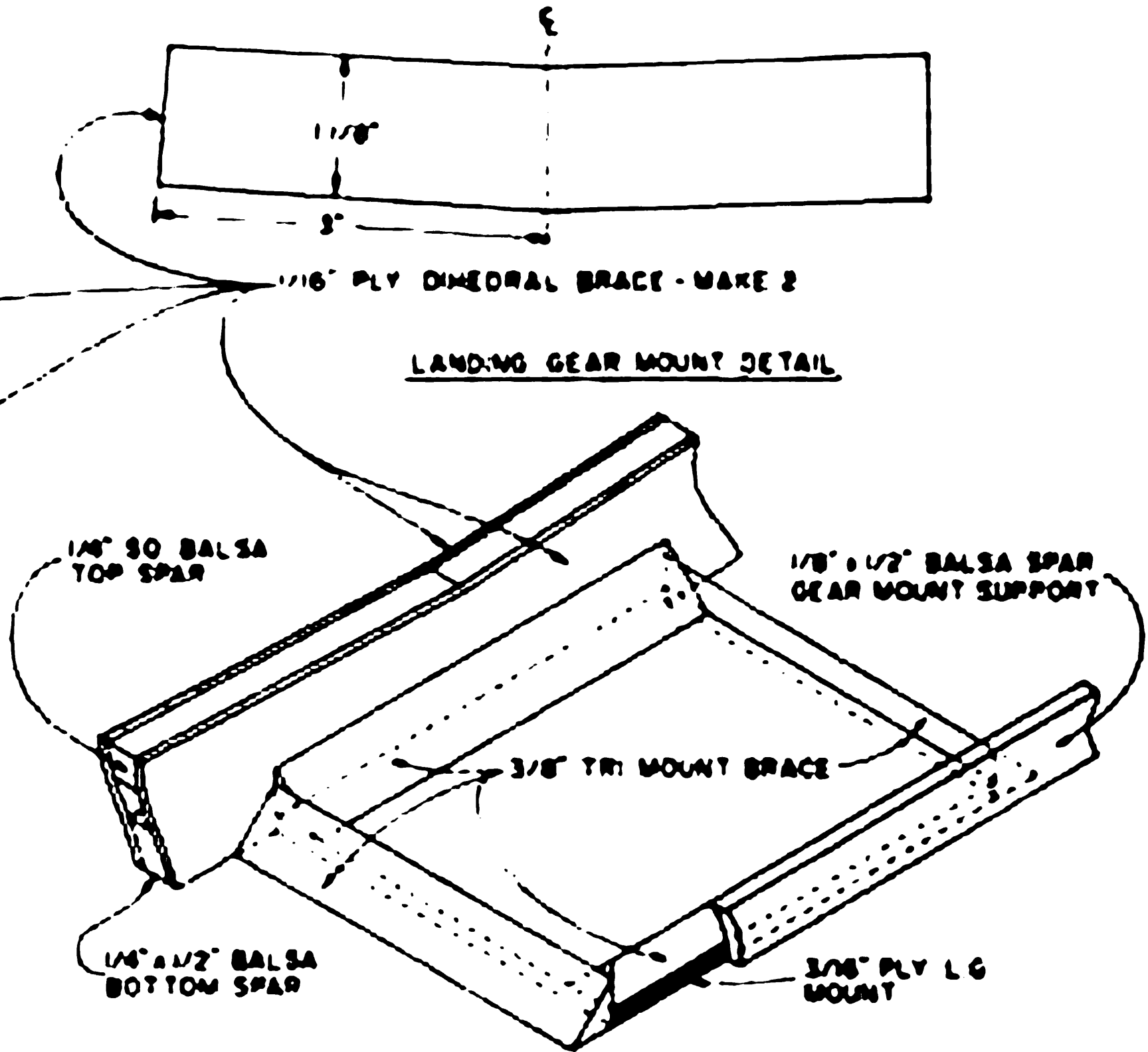
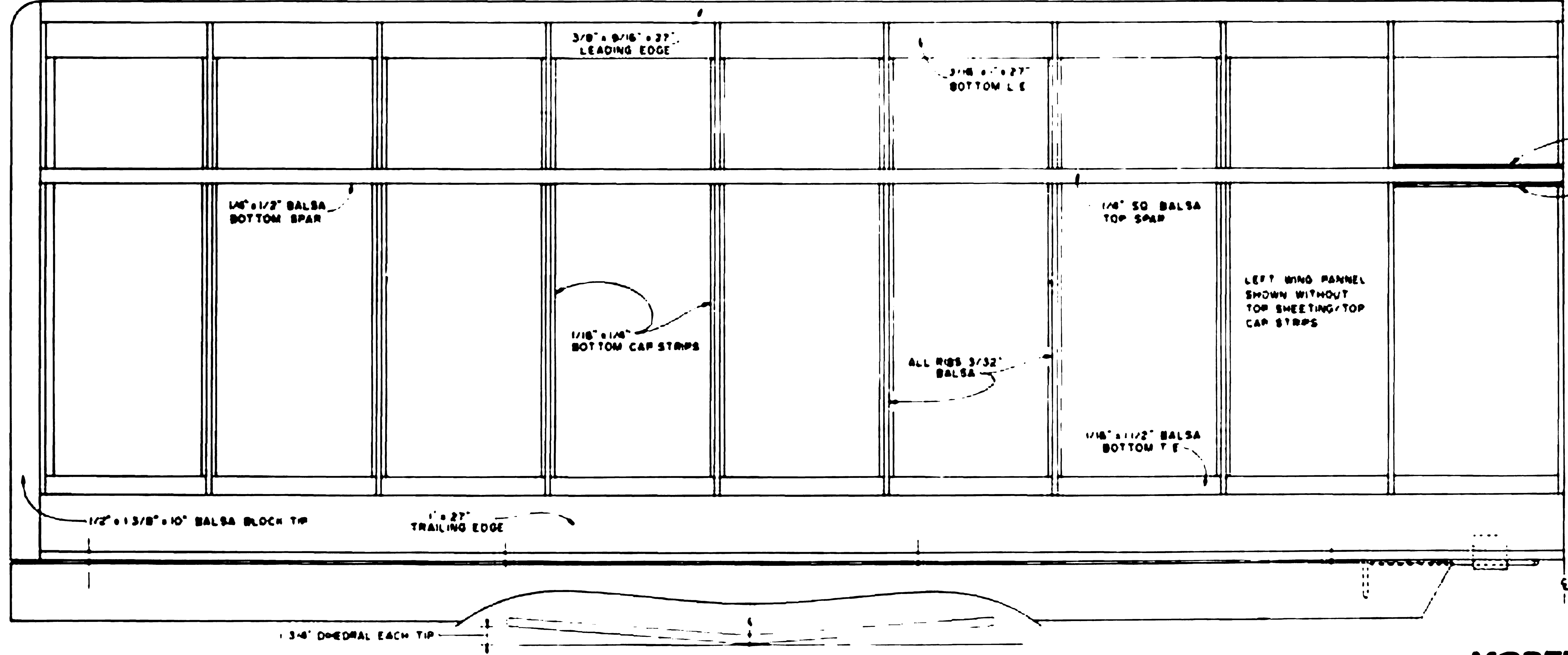
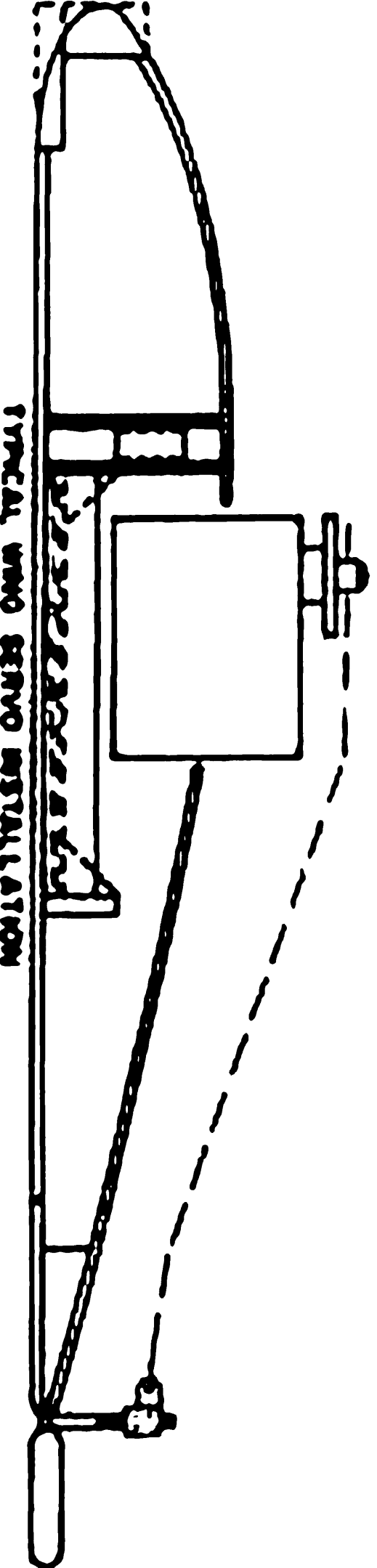
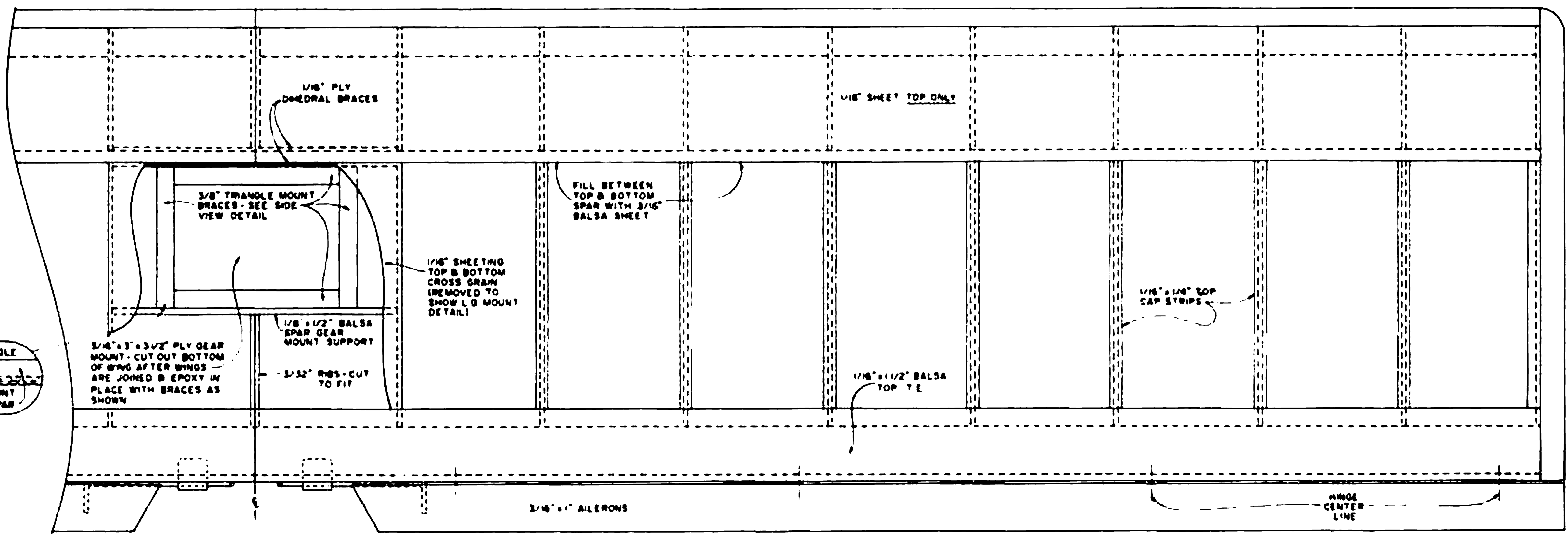
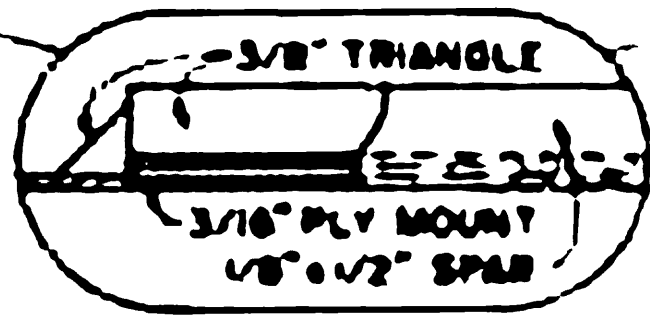
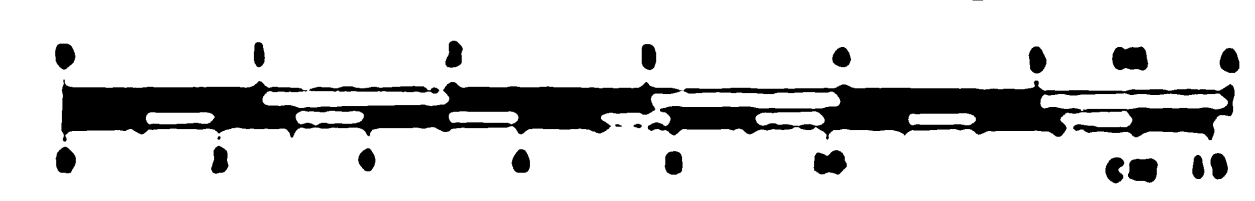


TYPICAL MAIN RIB - 20 REQUIRED



**MODEL BUILDER** magazine



**SUNRISE 2540**

DESIGNED BY: **BUZZ WALTZ**  
 SCALE OF DRAWING: DATE: 6-20-81  
 CHECKED BY: MONTH: JAN-82 DRAWN BY:

Plan No: **1B41-B**

WING DETAILS  
 SHEET NUMBER: W-1