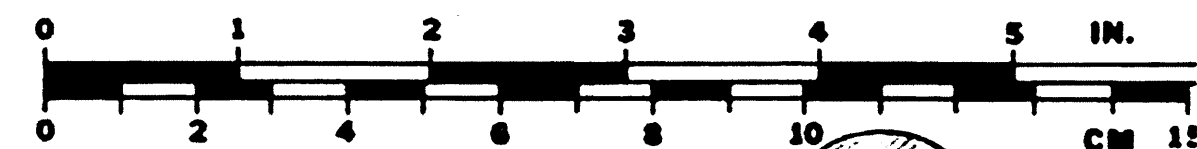


FROM FRANCE

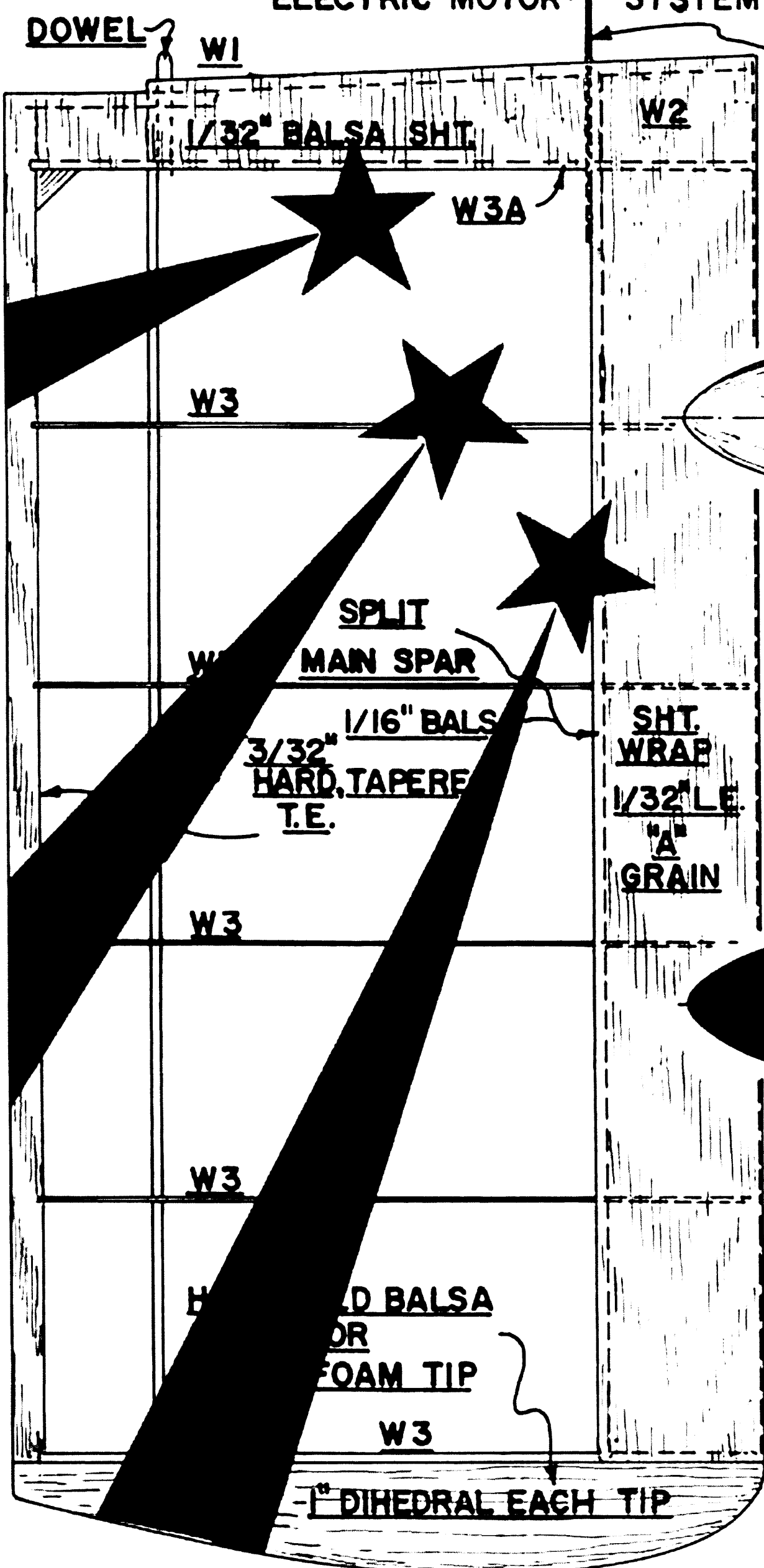
LE POTTIER

de E. FILLON

P.70-S

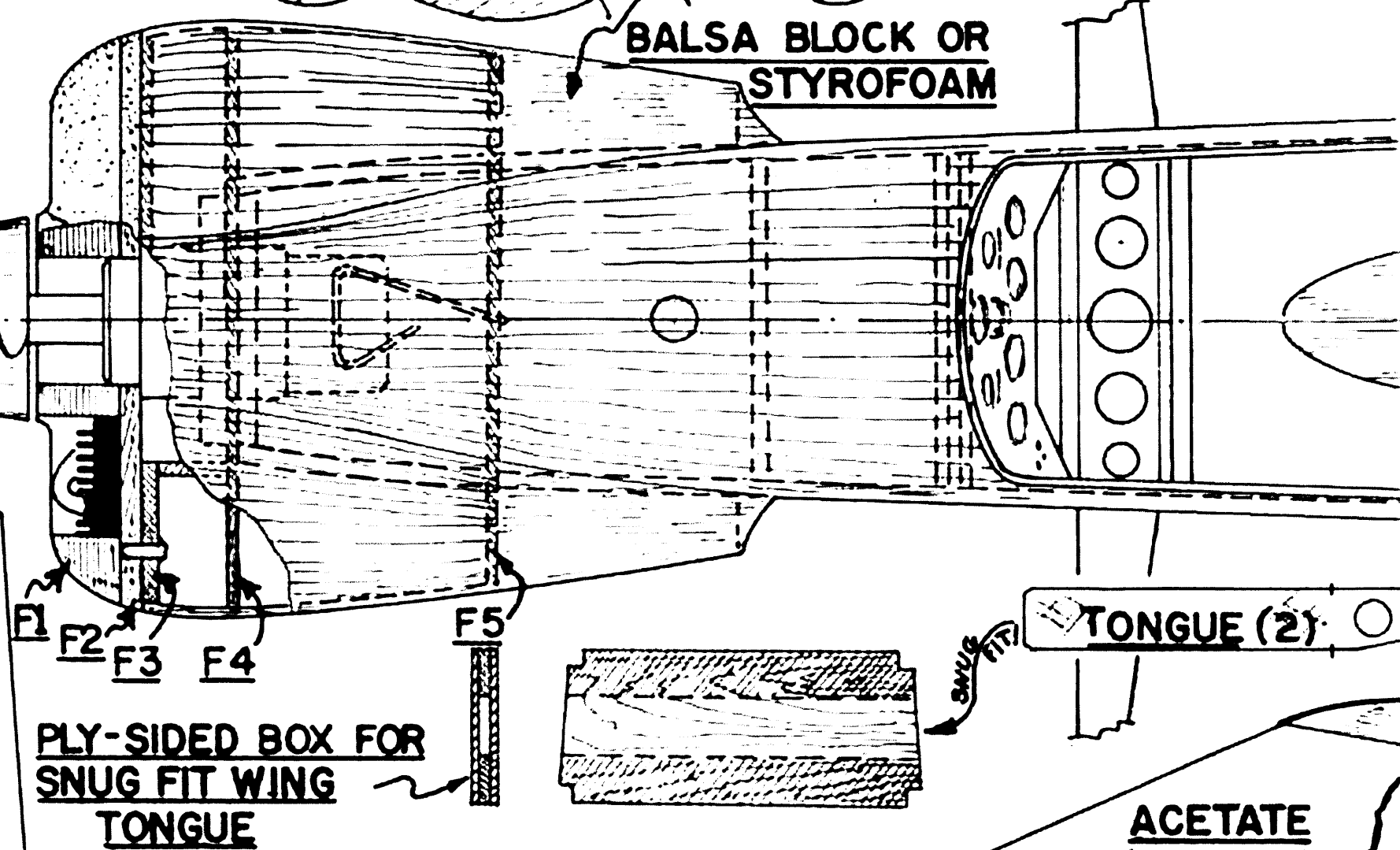


FREE-FLIGHT SCALE FOR THE V-L HYTORK ELECTRIC MOTOR SYSTEM



DURAL OR PLY TONGUE

1/2\"/>



PLY-SIDED BOX FOR SNUG FIT WING TONGUE

ACETATE SHEET

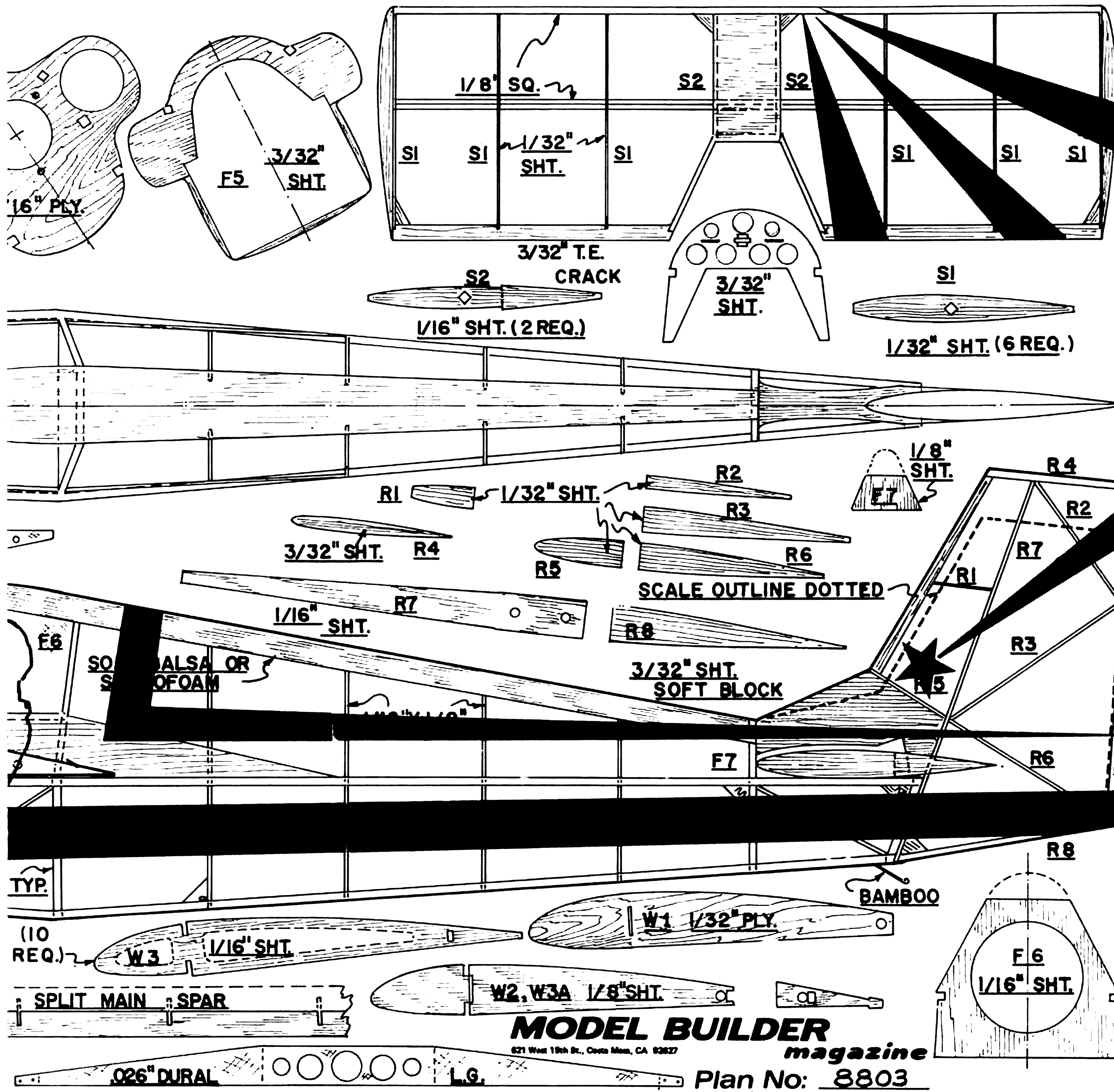
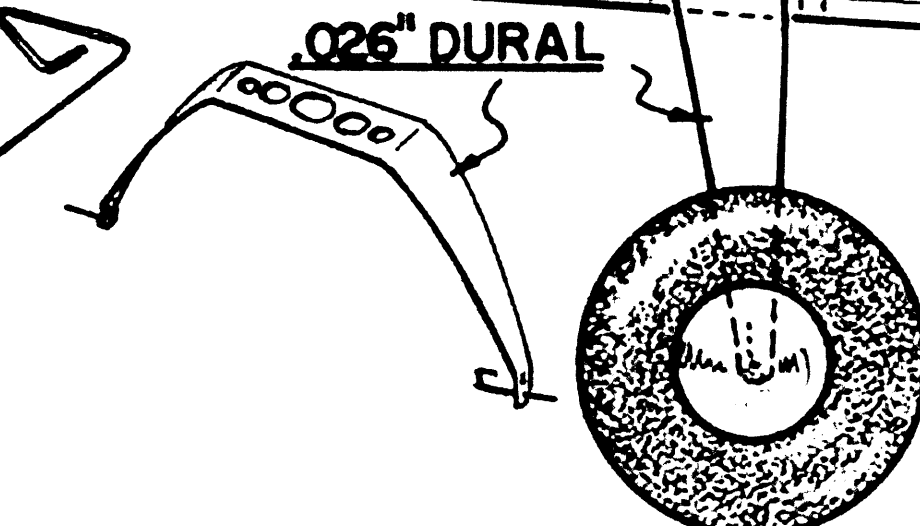
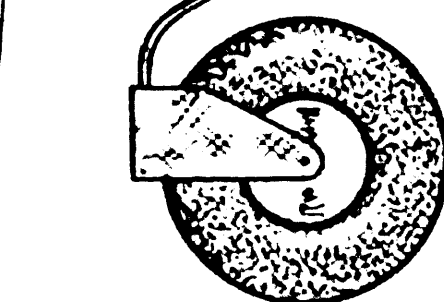
REMOVABLE NOSE BLOCK

.045 M.W.

.026\"/>

V-L SWITCH

1/8\"/>



MODEL BUILDER magazine

621 West 19th St., Costa Mesa, CA 92627

Plan No: 8803