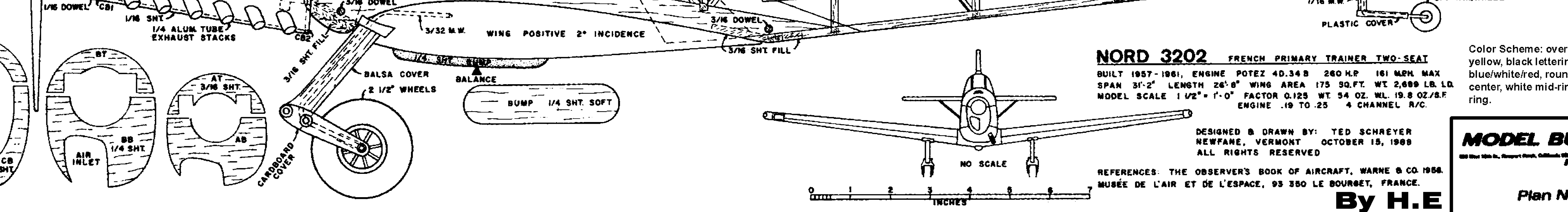
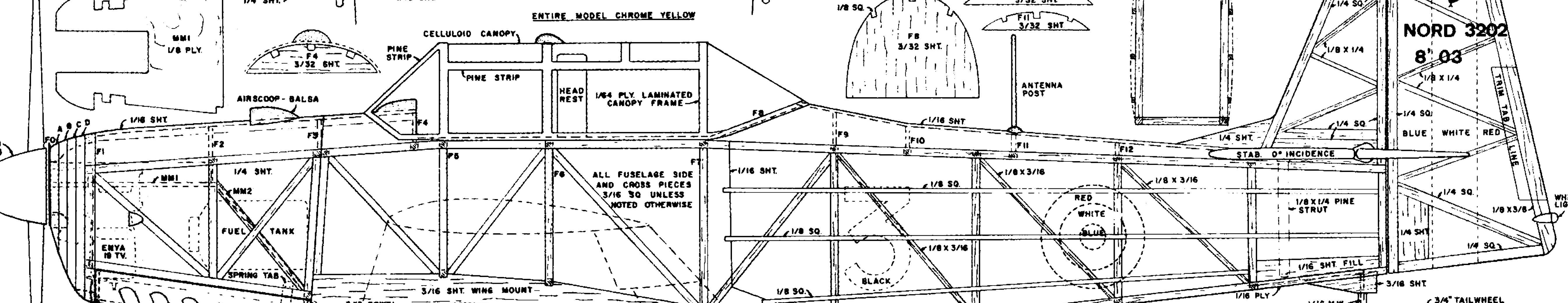
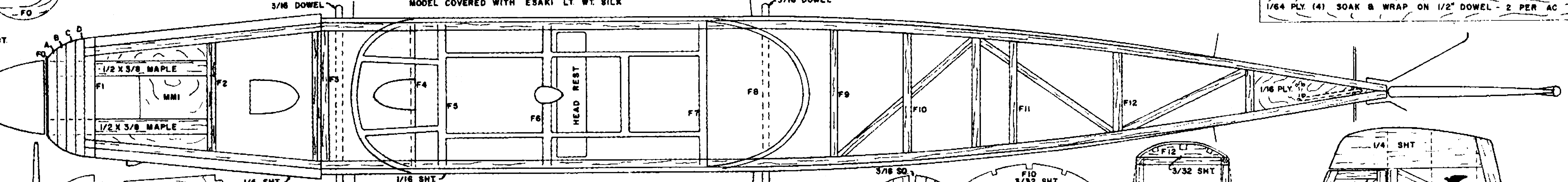
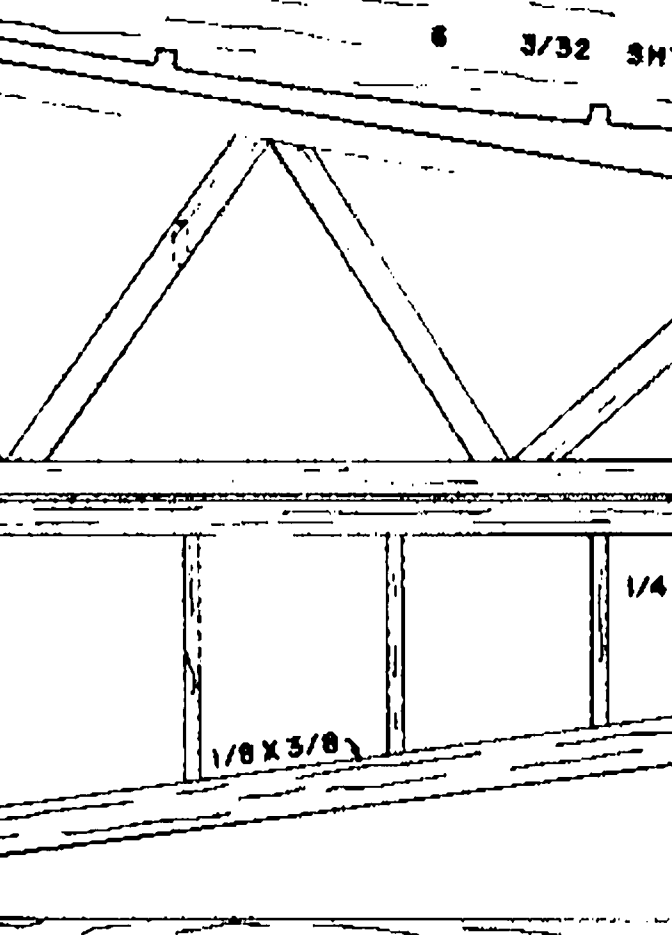
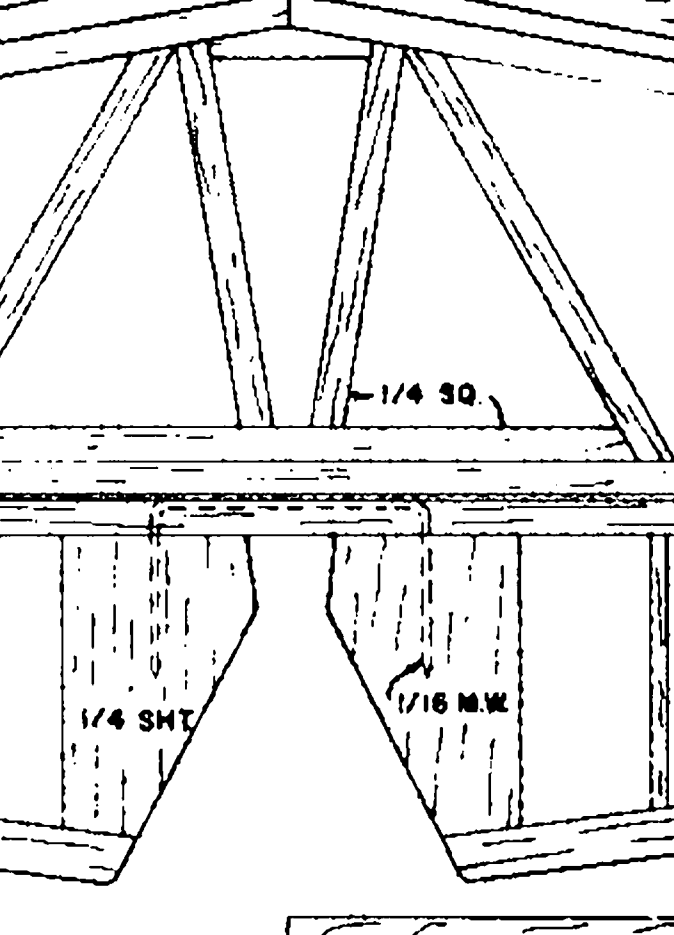
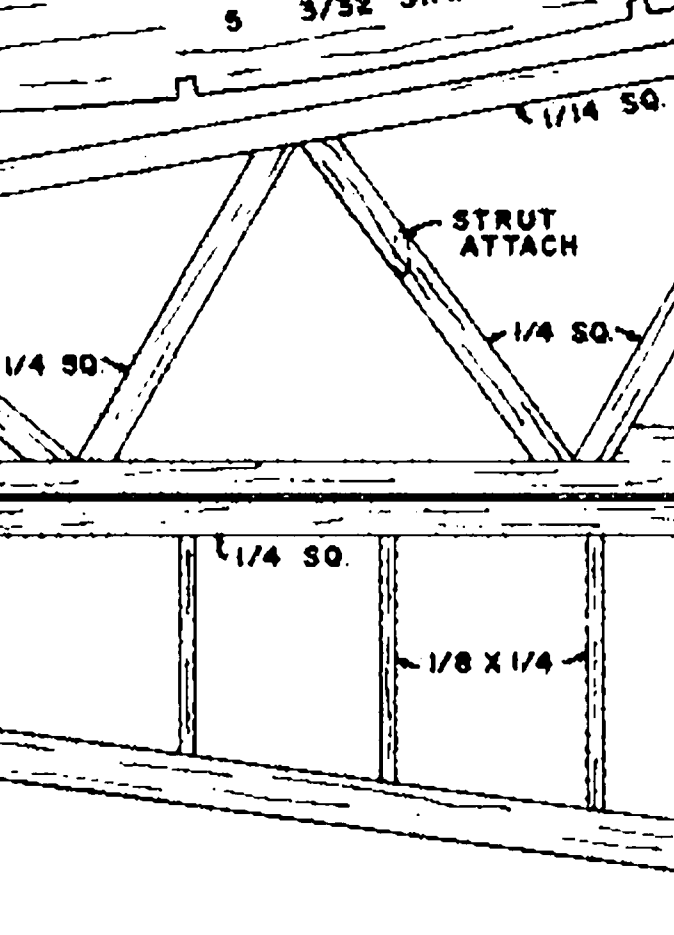
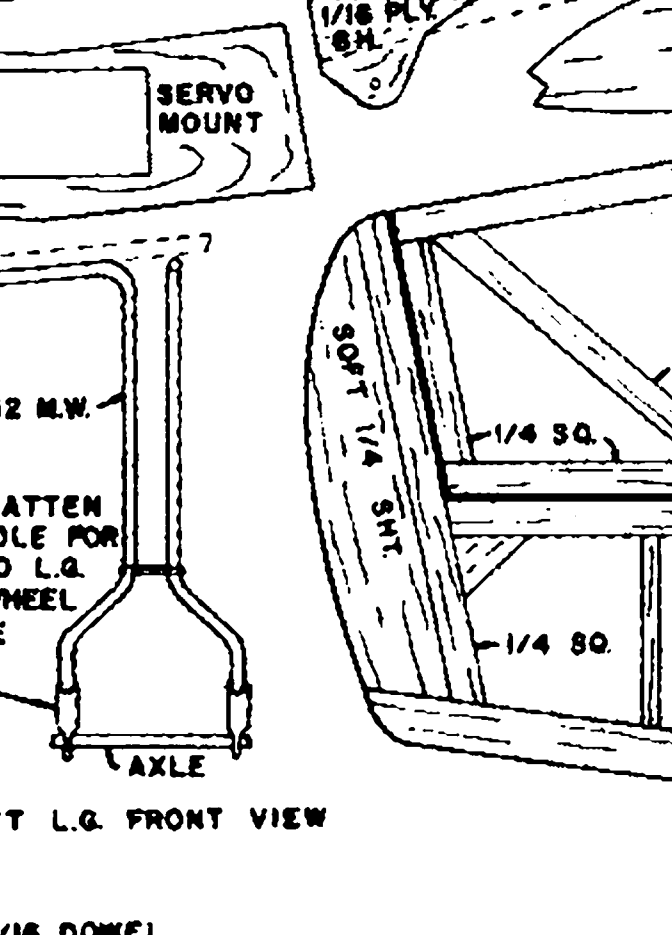
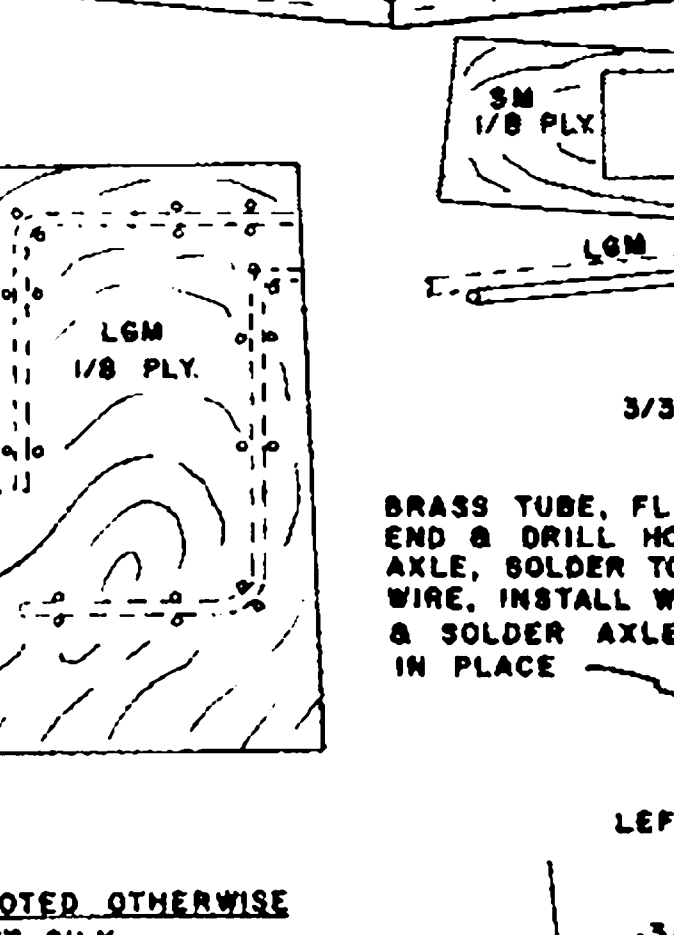
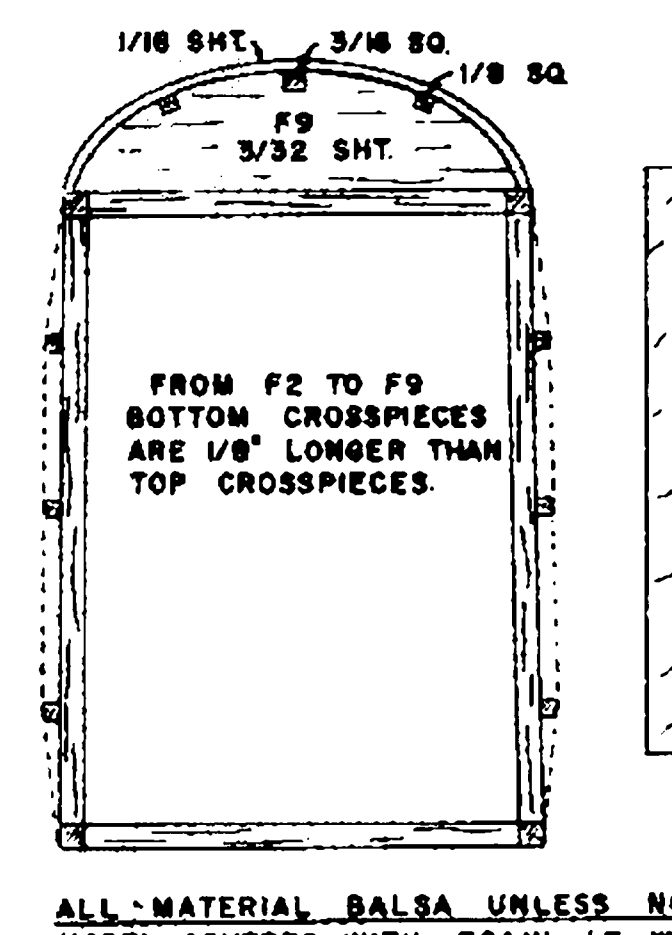
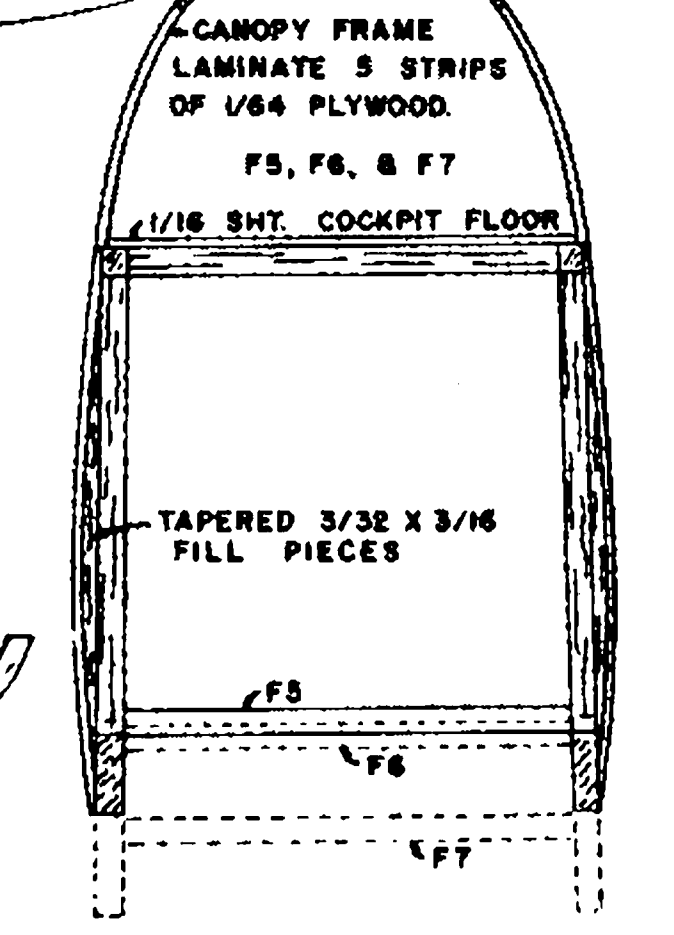
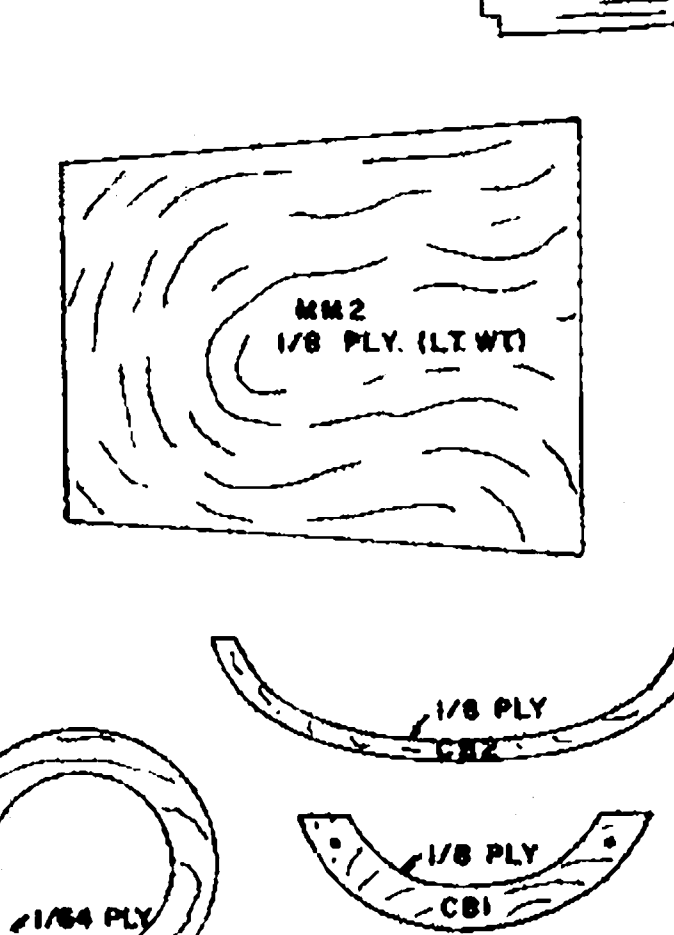
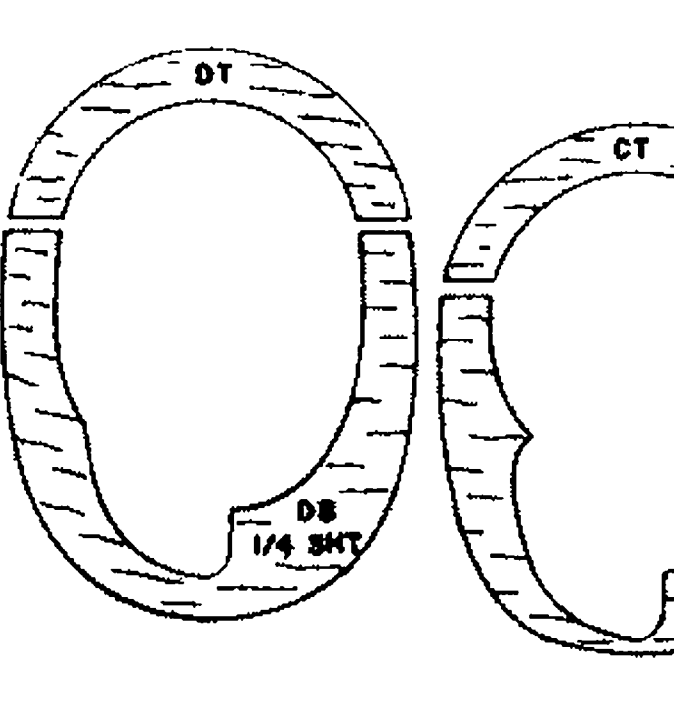
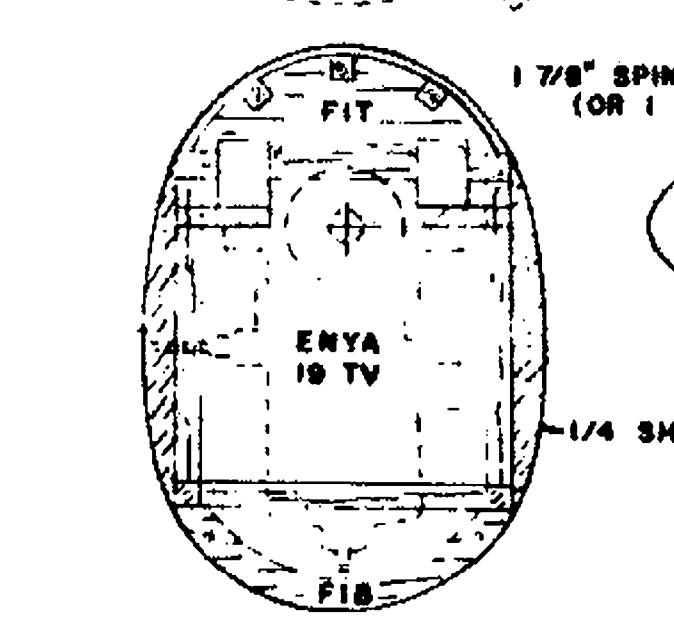
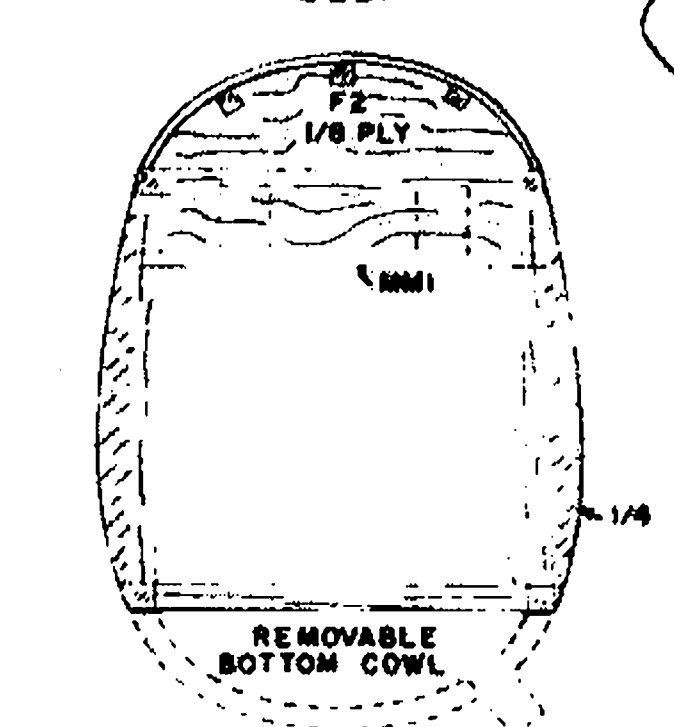
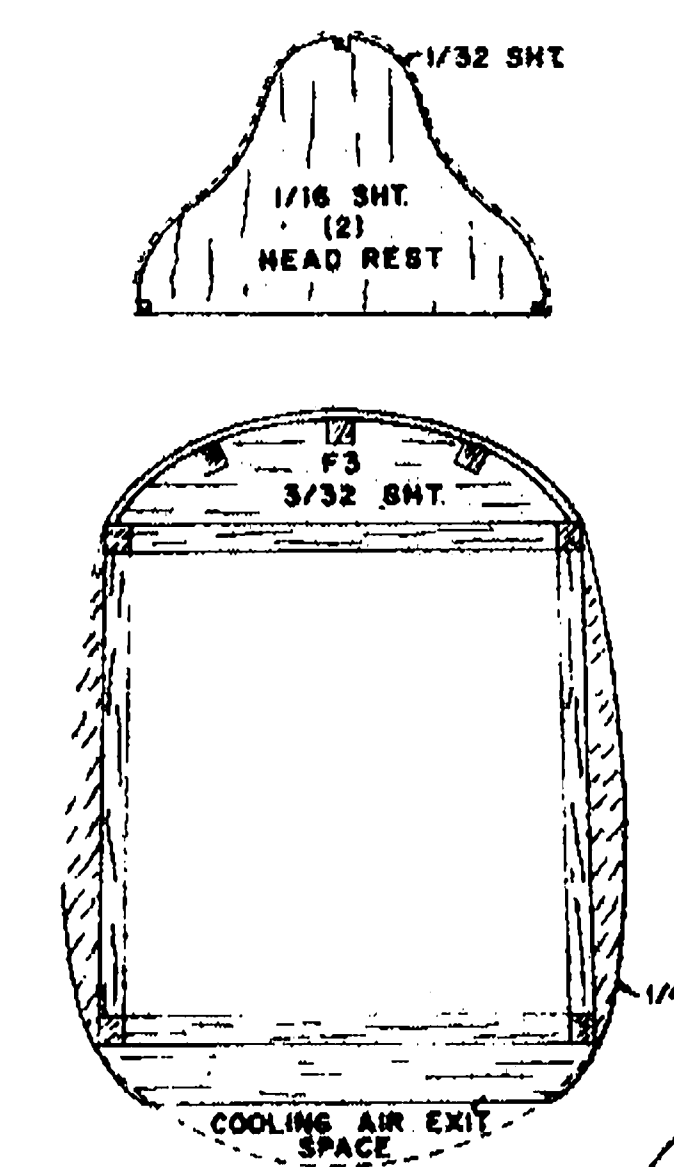


DIHEDRAL - 2 7/8" EACH TIP



ALL MATERIAL Balsa UNLESS NOTED OTHERWISE
MODEL COVERED WITH ESAKI LT. WT. SILK

ENTIRE MODEL CHROME YELLOW

NORD 3202 FRENCH PRIMARY TRAINER TWO-SEAT
 BUILT 1957-1961, ENGINE POTEZ 40.34 B 260 H.P. 161 MPH MAX
 SPAN 31'-2" LENGTH 26'-0" WING AREA 175 SQ.FT. WT 2,689 LB. LD.
 MODEL SCALE 1/12" = 1'-0" FACTOR Q.125 WT 54 OZ. WL 19.8 OZ./8.F
 ENGINE .19 TO .25 4 CHANNEL R/C

Color Scheme: overall mustard yellow, black lettering, rudder blue/white/red, rounds with blue center, white mid-ring, red outer ring.

DESIGNED & DRAWN BY: TED SCHREYER
 NEWFARE, VERMONT OCTOBER 15, 1989
 ALL RIGHTS RESERVED

REFERENCES: THE OBSERVER'S BOOK OF AIRCRAFT, WARNE & CO. 1968.
 MUSÉE DE L'AIR ET DE L'ESPACE, 93 350 LE BOURGET, FRANCE.

MODEL BUILDER
 magazine

By H.E. Plan No: 2891

