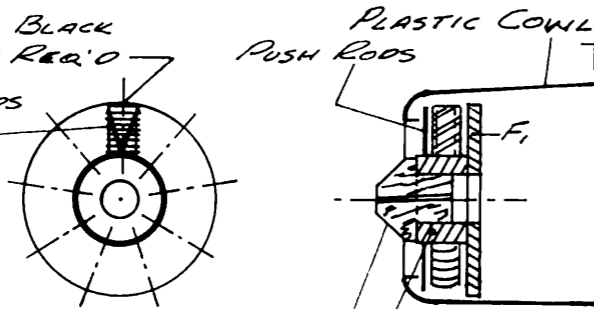
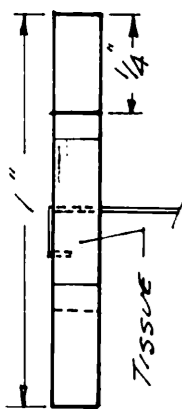


CYL'S - 8-32 \times $\frac{1}{4}$ BLACK NYLON BOLTS - 9 REQ'D

MAKE PUSH RODS FROM ST. PINS



$\frac{1}{8} \times \frac{3}{32}$



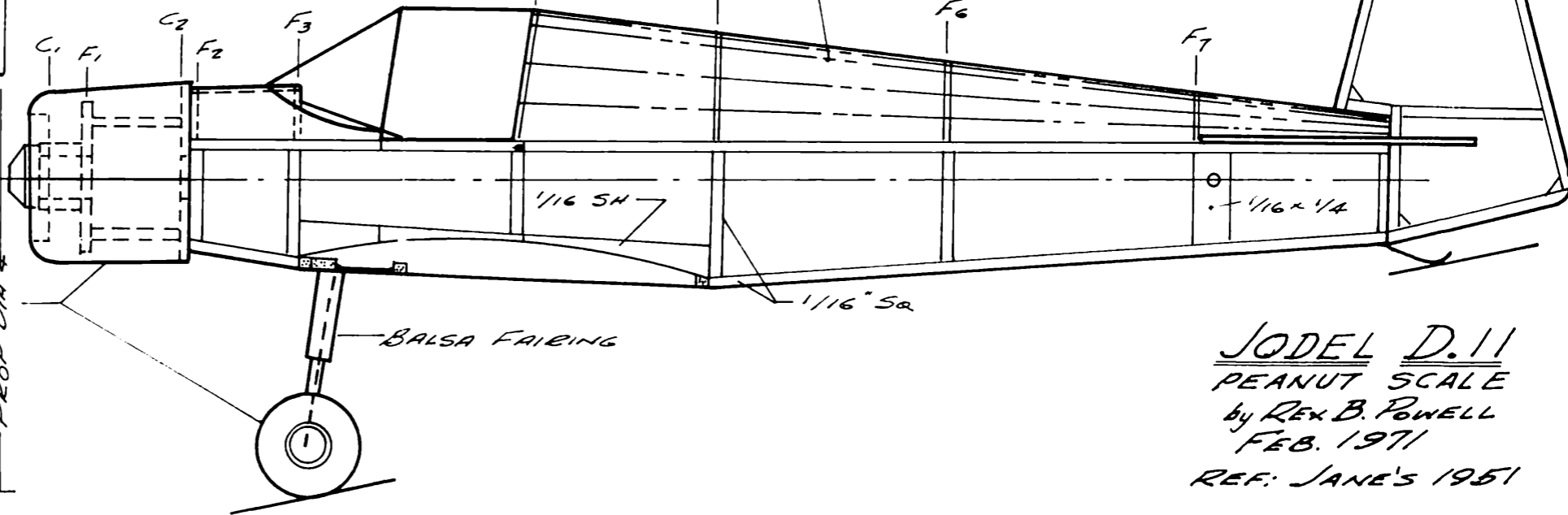
PROP HUB 2X FULL SIZE

ENGINE & FUSELAGE DETAILS - FULL SIZE

VACU-FORMED COWL & WHEELS

PROP DIA $\frac{1}{4}$

BALSA FAIRING



JODEL D.11
PEANUT SCALE
by REX B. POWELL
FEB. 1971
REF: JANE'S 1951