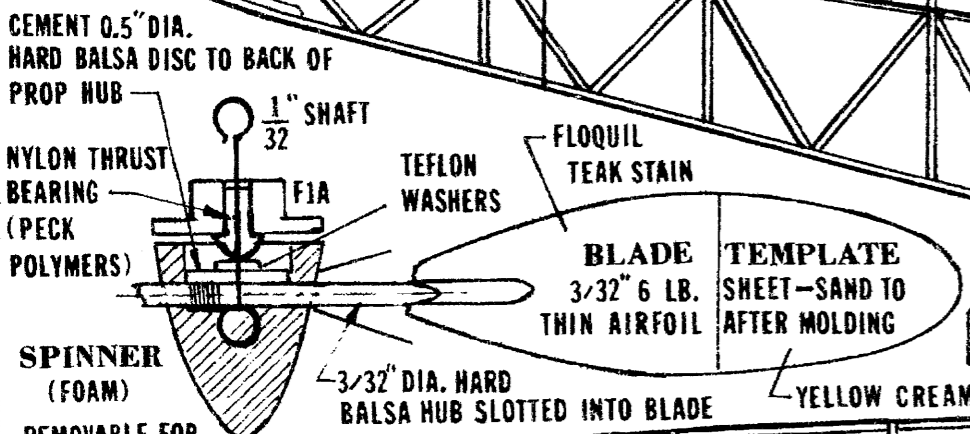
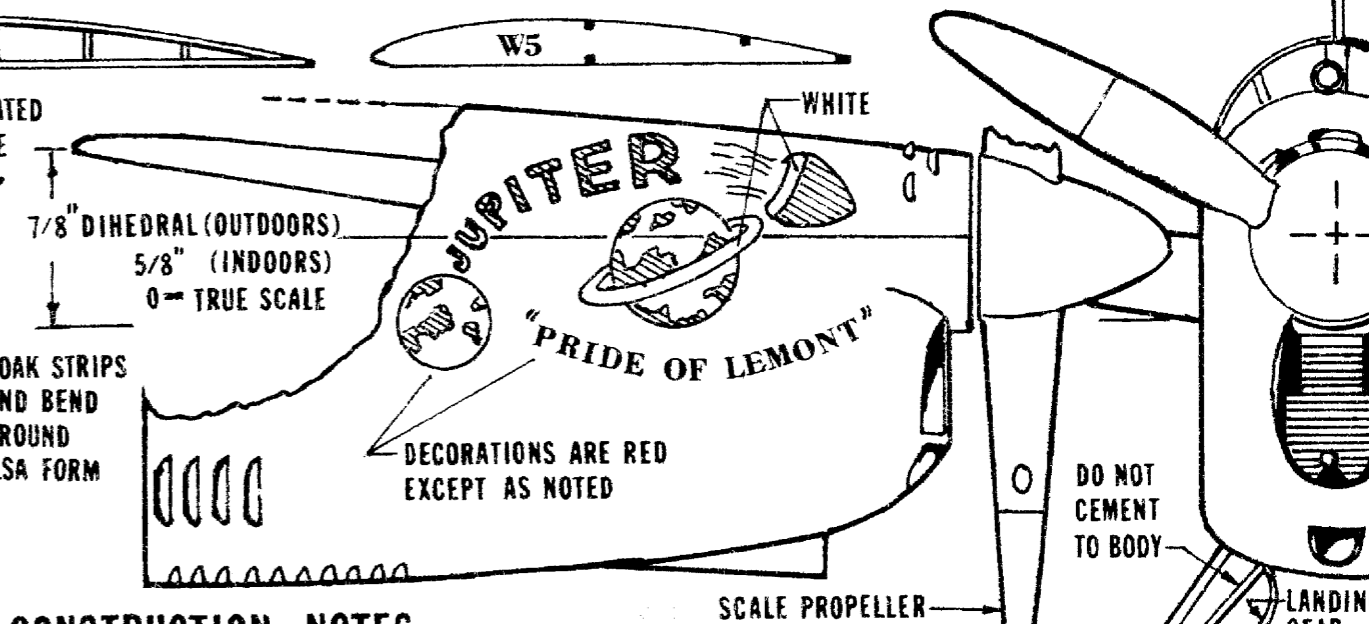
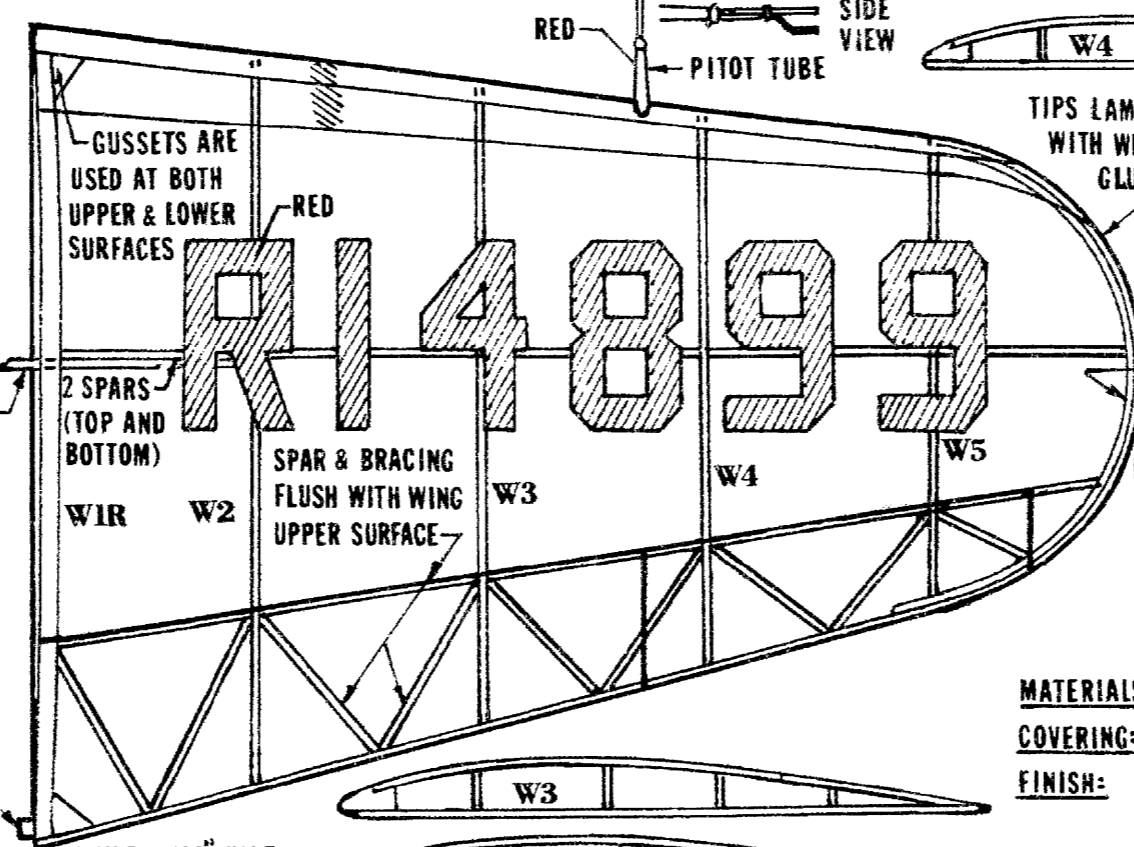
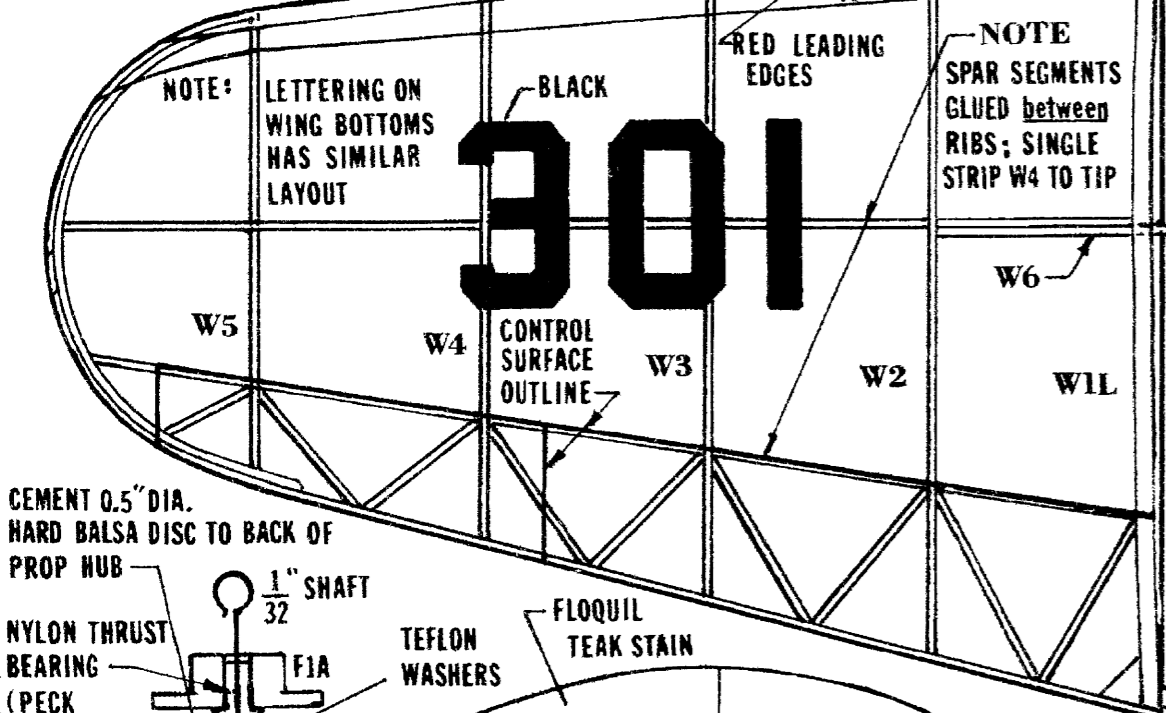
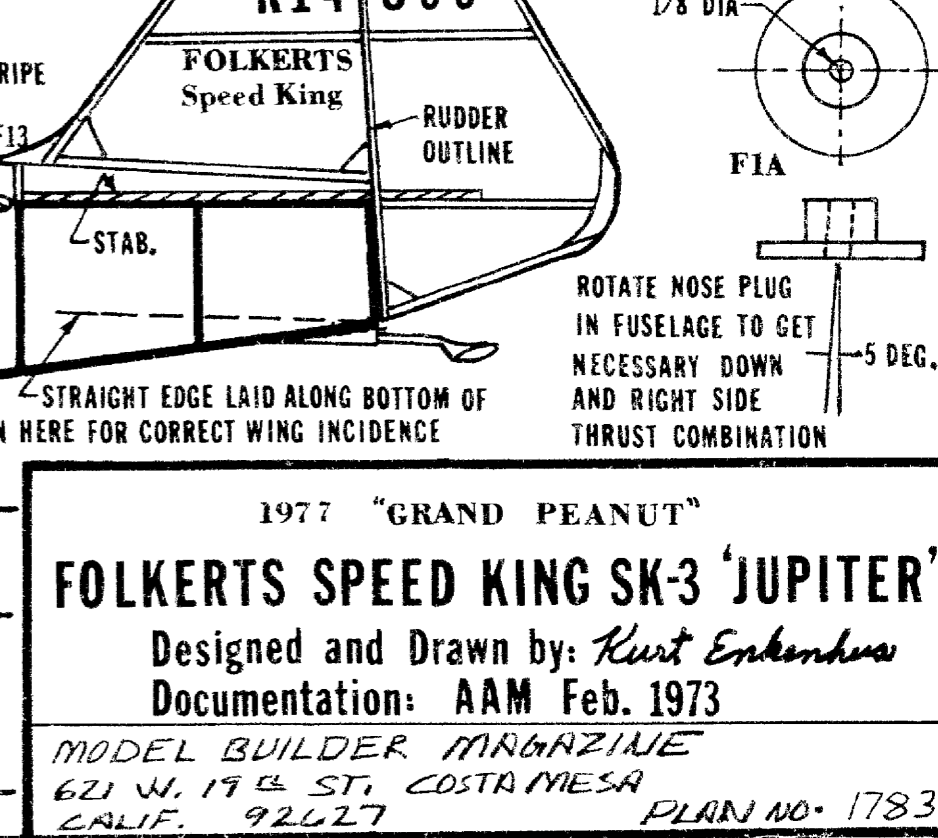
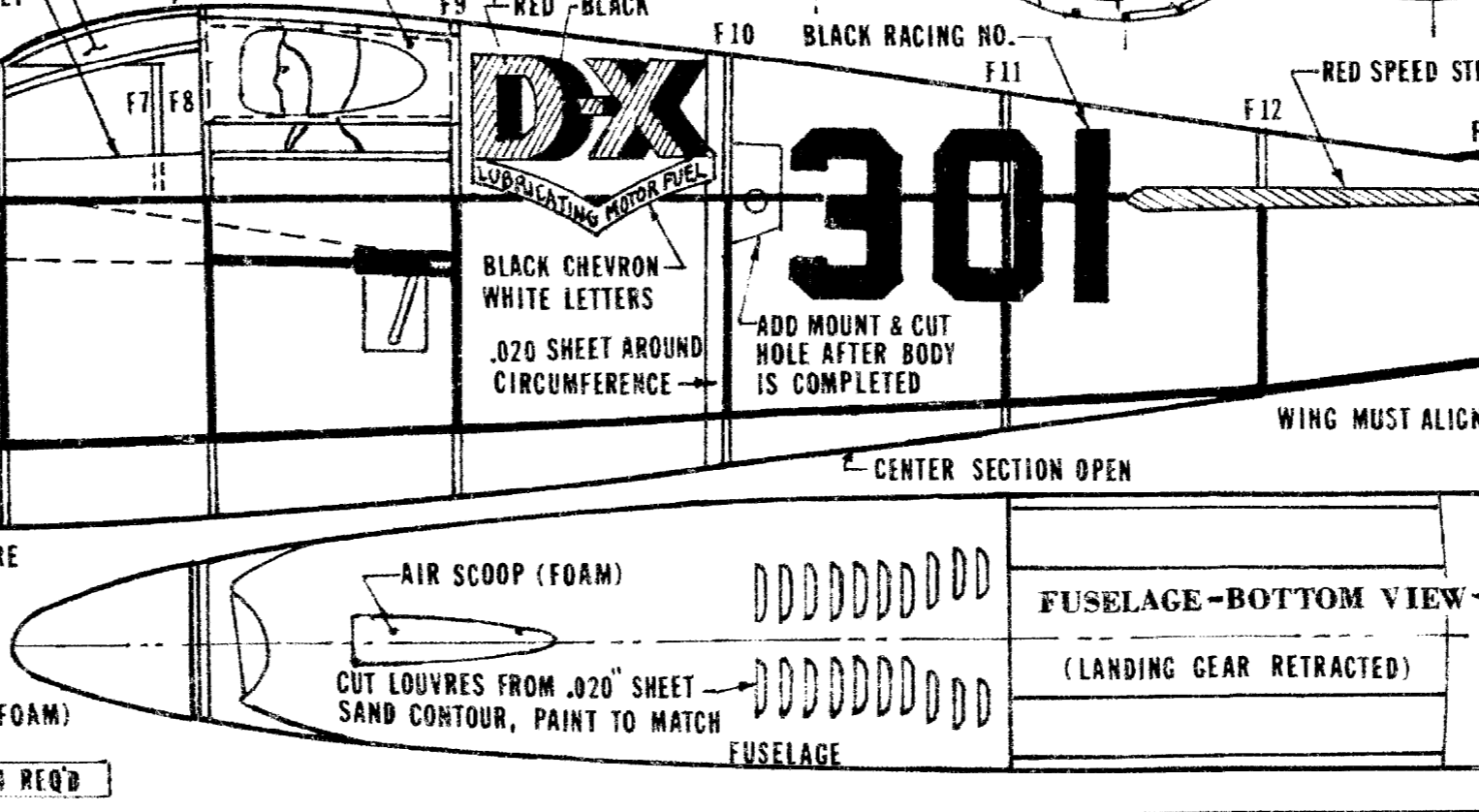
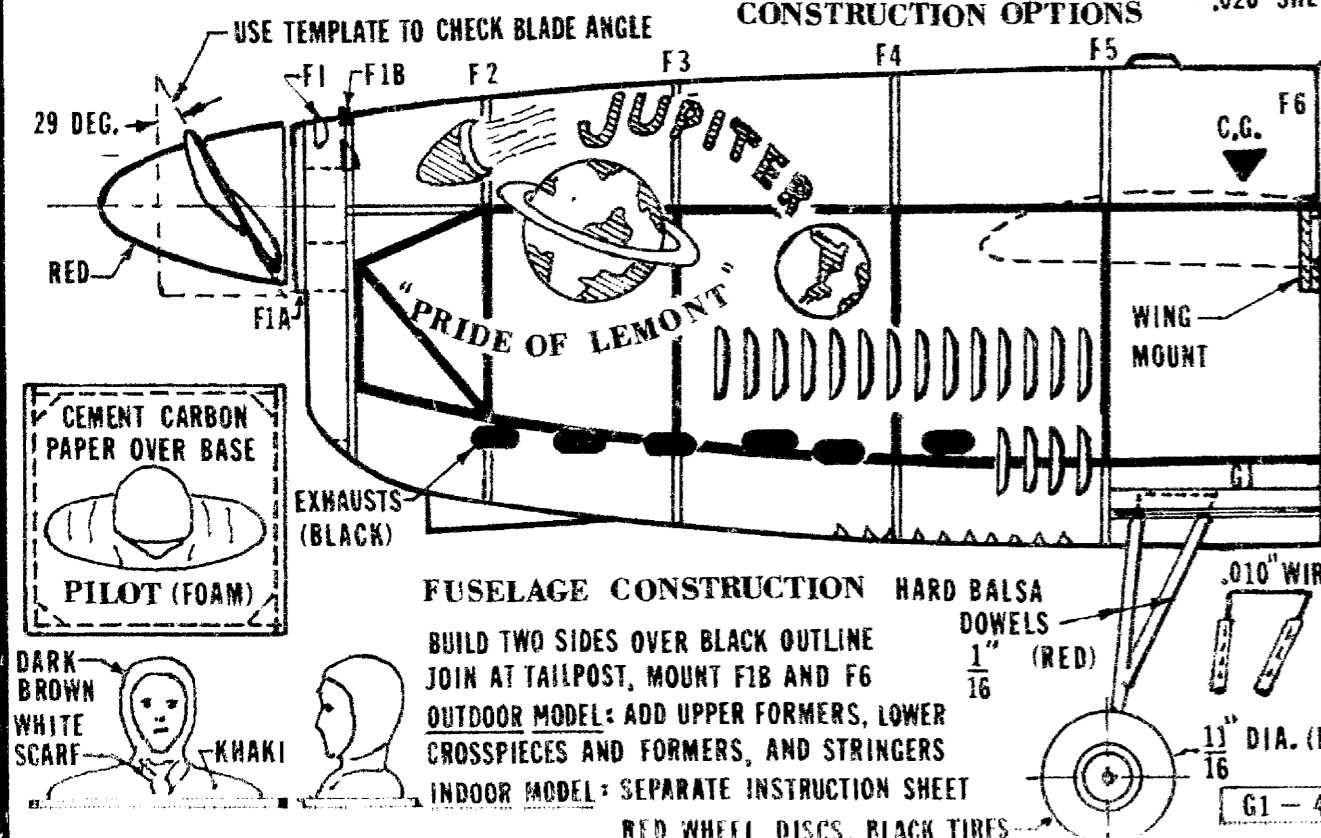
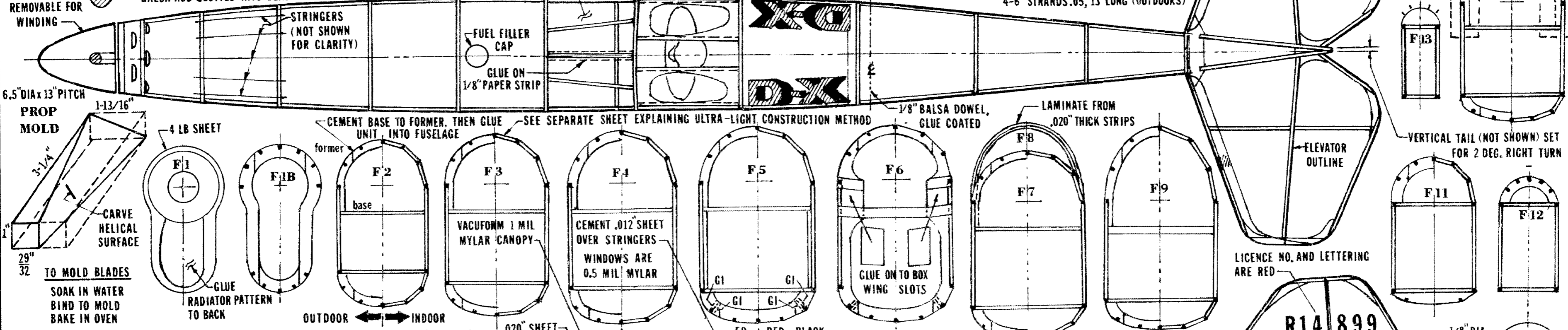


**LEADING EDGE:** SOAK 6x1/2x.012 IN. SHEET, BIND WITH CLOTH STRIP AROUND TRAILING EDGE OF 1/4" STREAMLINED ALUMINUM TUBING, BAKE IN OVEN, TRIM TO WIDTH SHOWN



**CONSTRUCTION NOTES**

**MATERIALS:** .040 STRIPWOOD & 6 LB SHEET, LIGHT FOAM  
**COVERING:** CONDENSER PAPER, WATER SPRAYED TIGHT  
**FINISH:** ONE COAT MICRO-COAT (OUTDOOR MODEL) AIRBRUSH LIGHTLY WITH THINNED YELLOW FLOQUIL, PAINT LEADING EDGES RED  
**DECALS:** FLOQUIL-SPRAYED CONDENSER PAPER AND RUB-ON LETTERS  
**FLYING:** 4 STRANDS .04", 15" LONG (INDOORS)  
 4-6 STRANDS .05", 13" LONG (OUTDOORS)



1977 "GRAND PEANUT"  
**FOLKERTS SPEED KING SK-3 'JUPITER'**  
 Designed and Drawn by: *Kurt Enckhus*  
 Documentation: AAM Feb. 1973  
 MODEL BUILDER MAGAZINE  
 621 W. 19th ST. COSTA MESA  
 CALIF. 92627  
 PLAN NO. 1783A