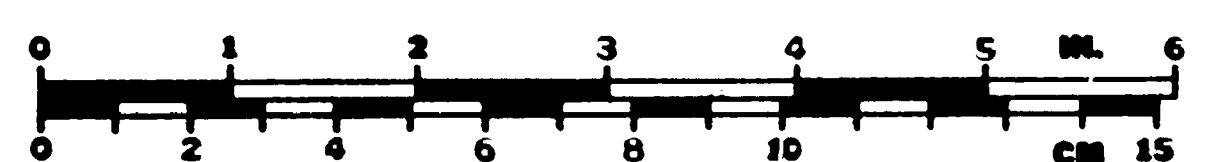


THE EDGE OF KNIFE

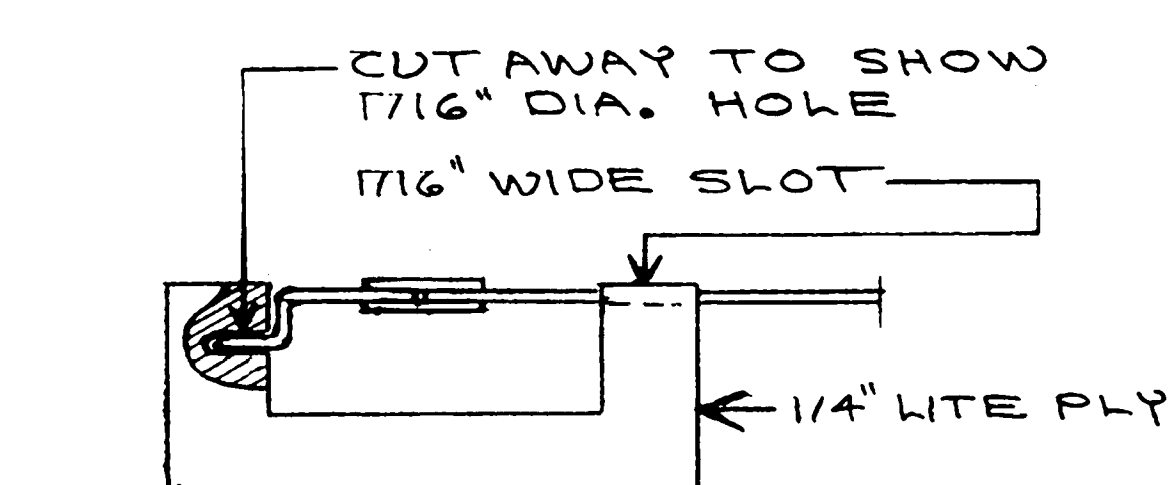
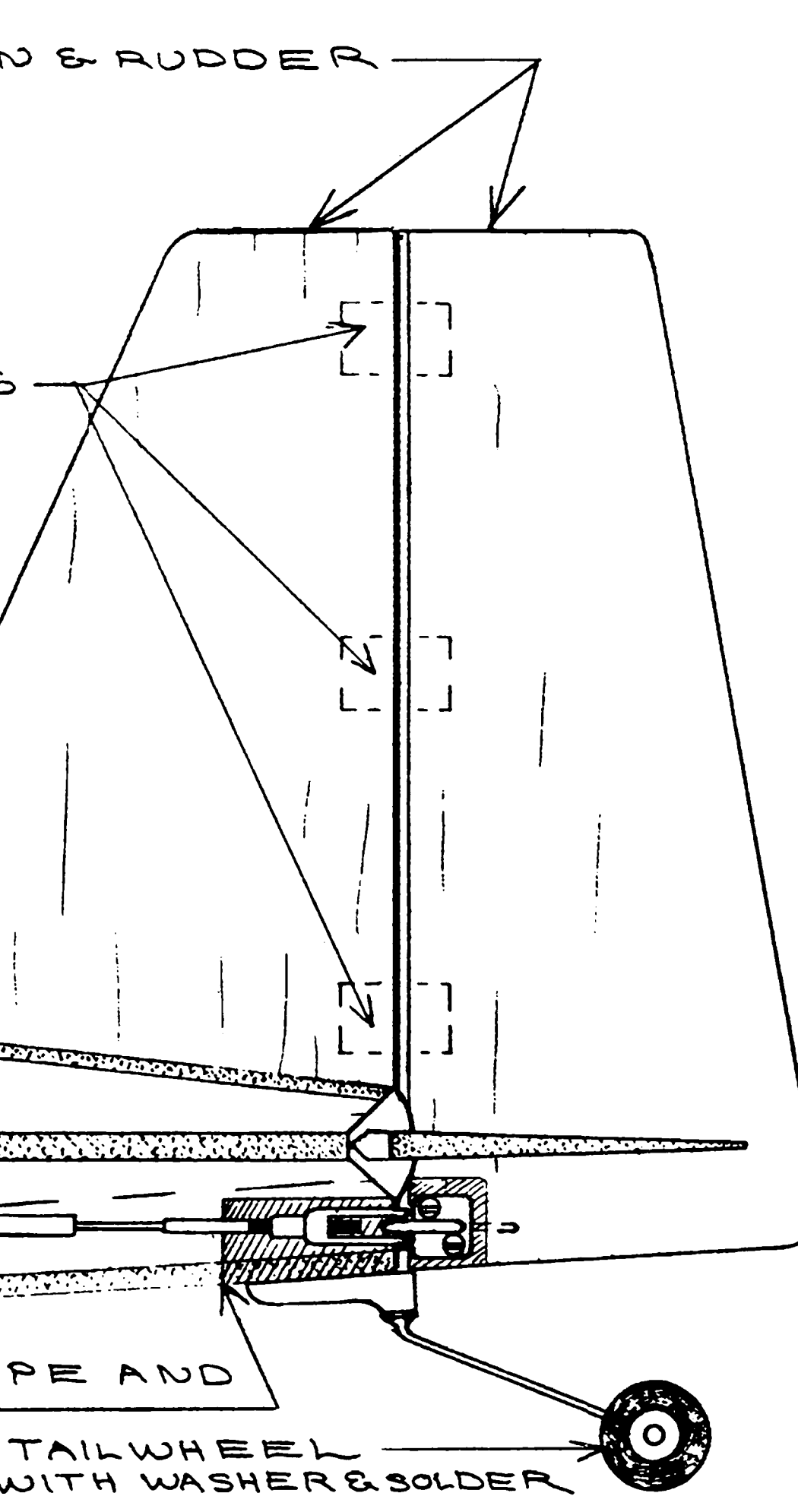
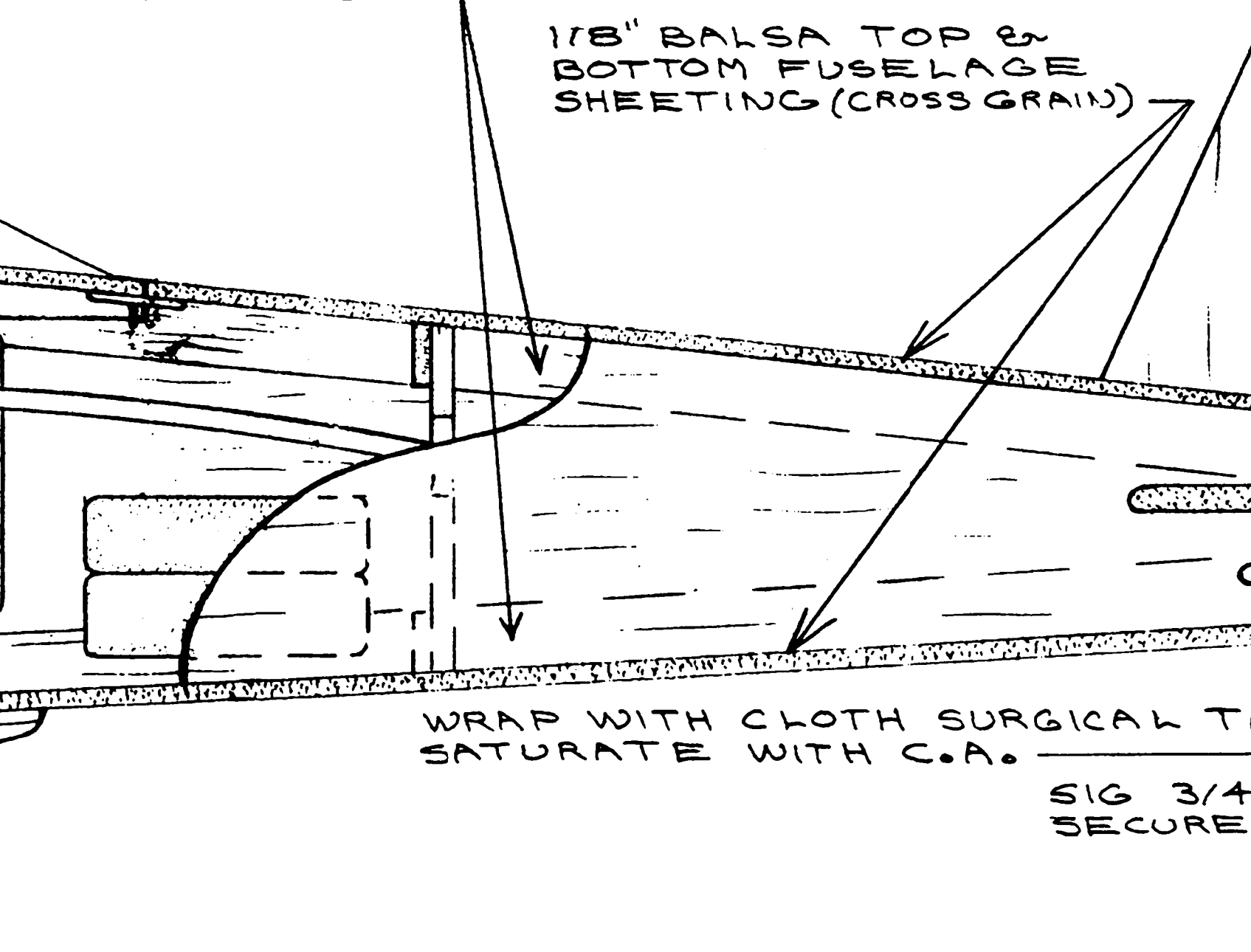
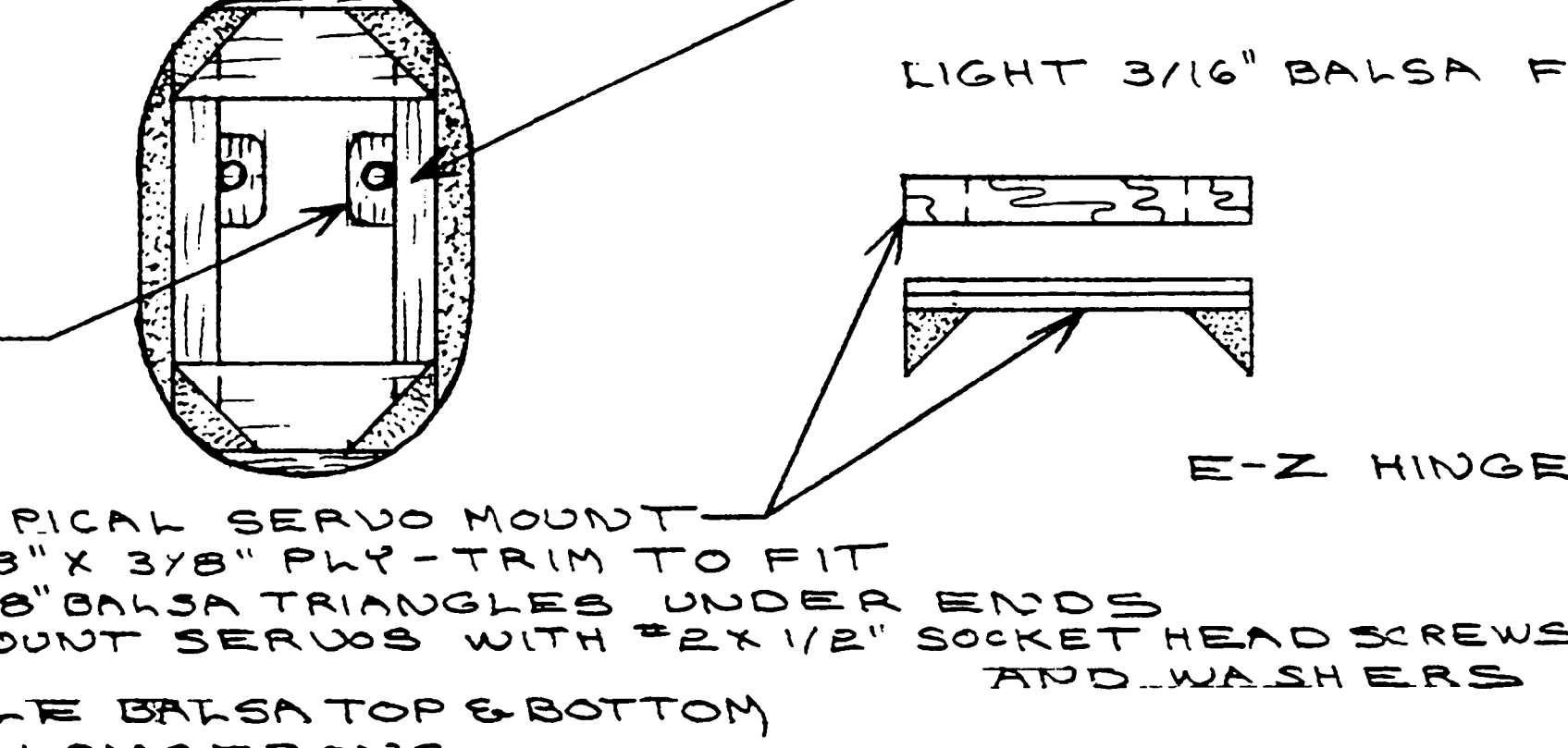
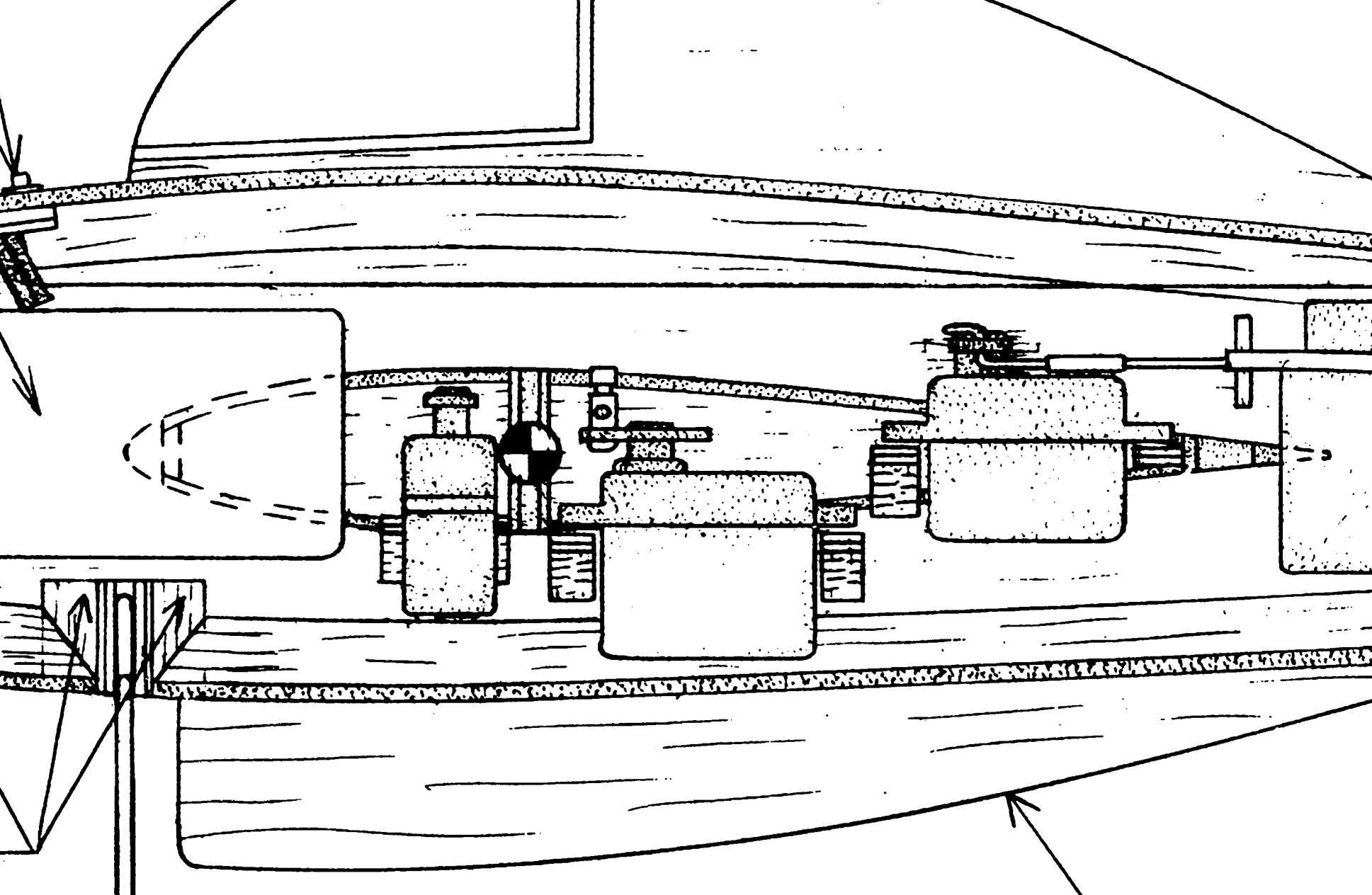
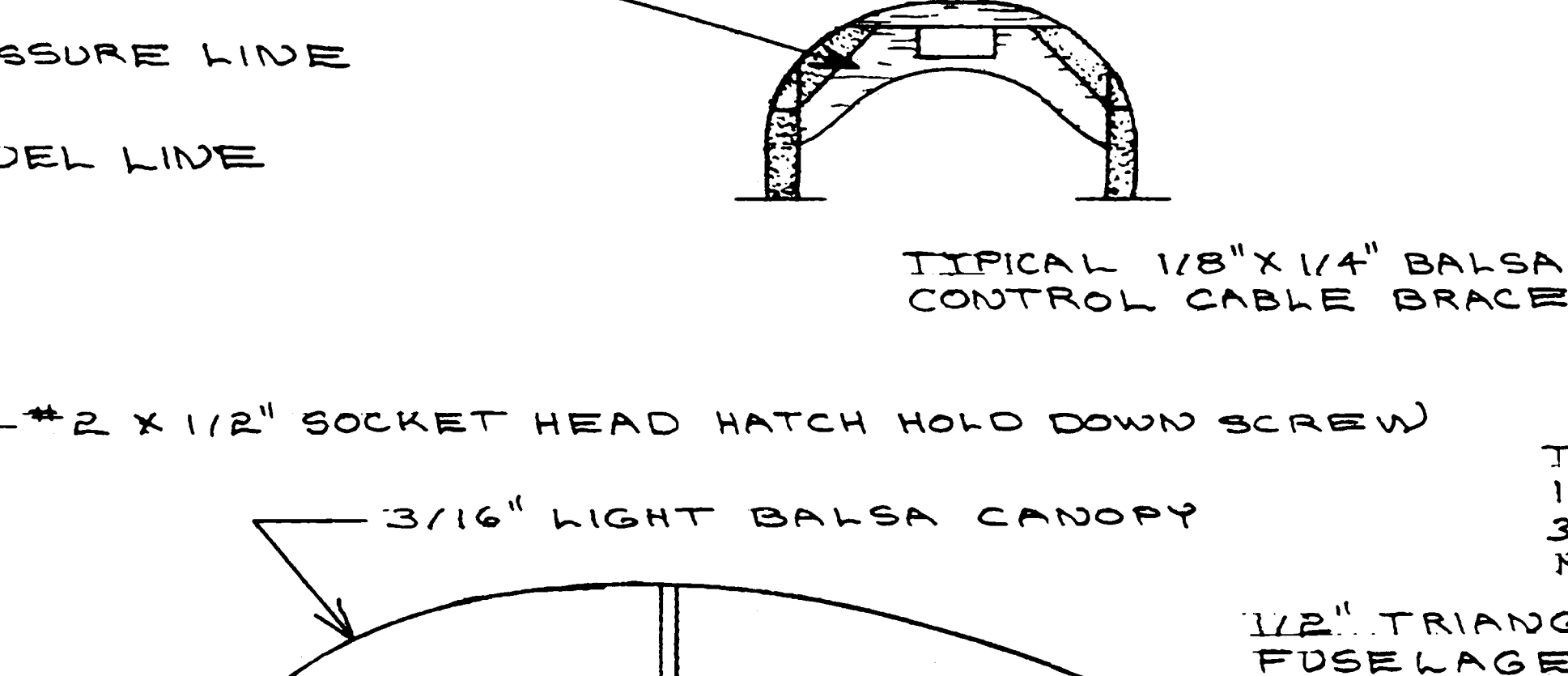
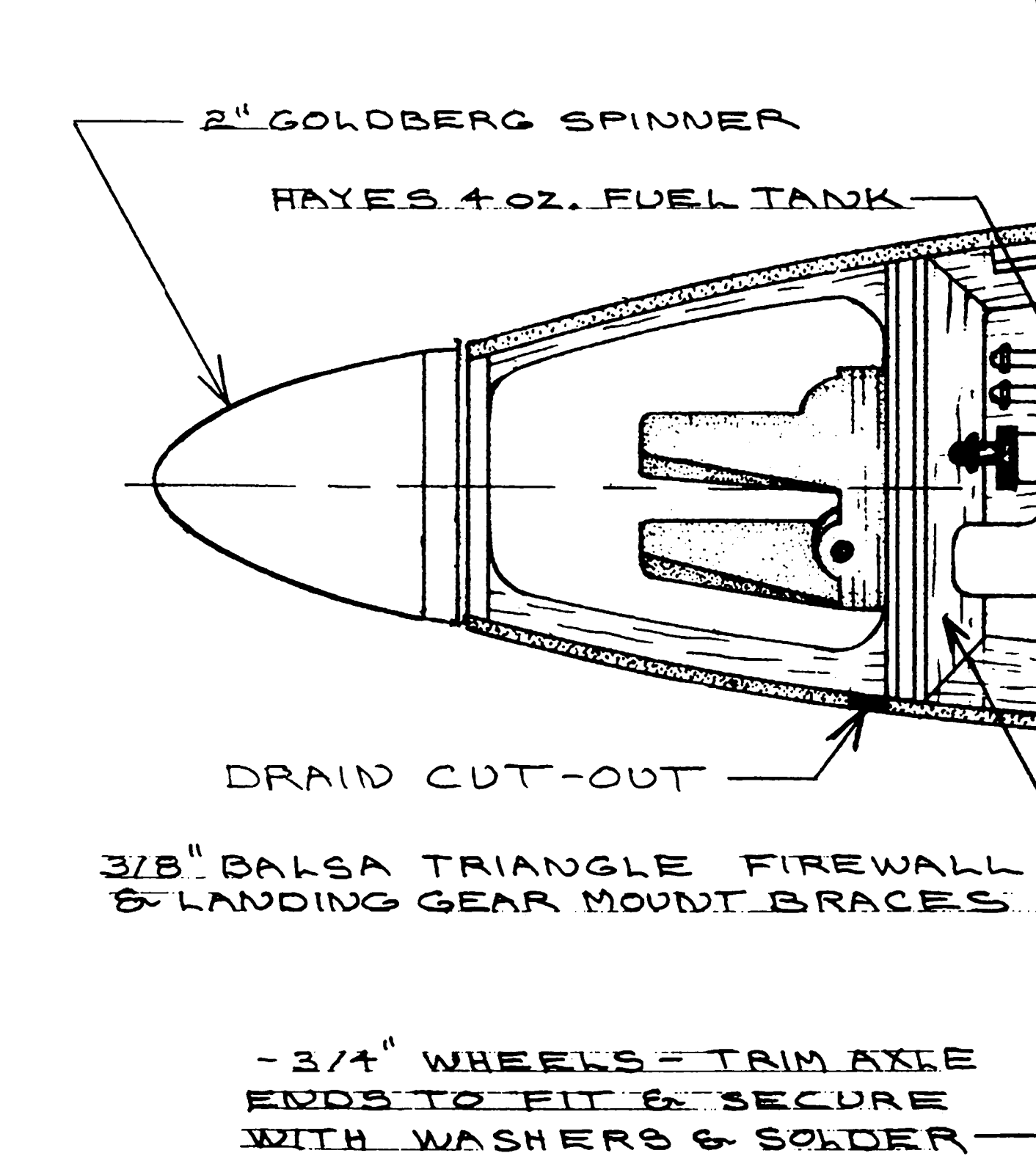
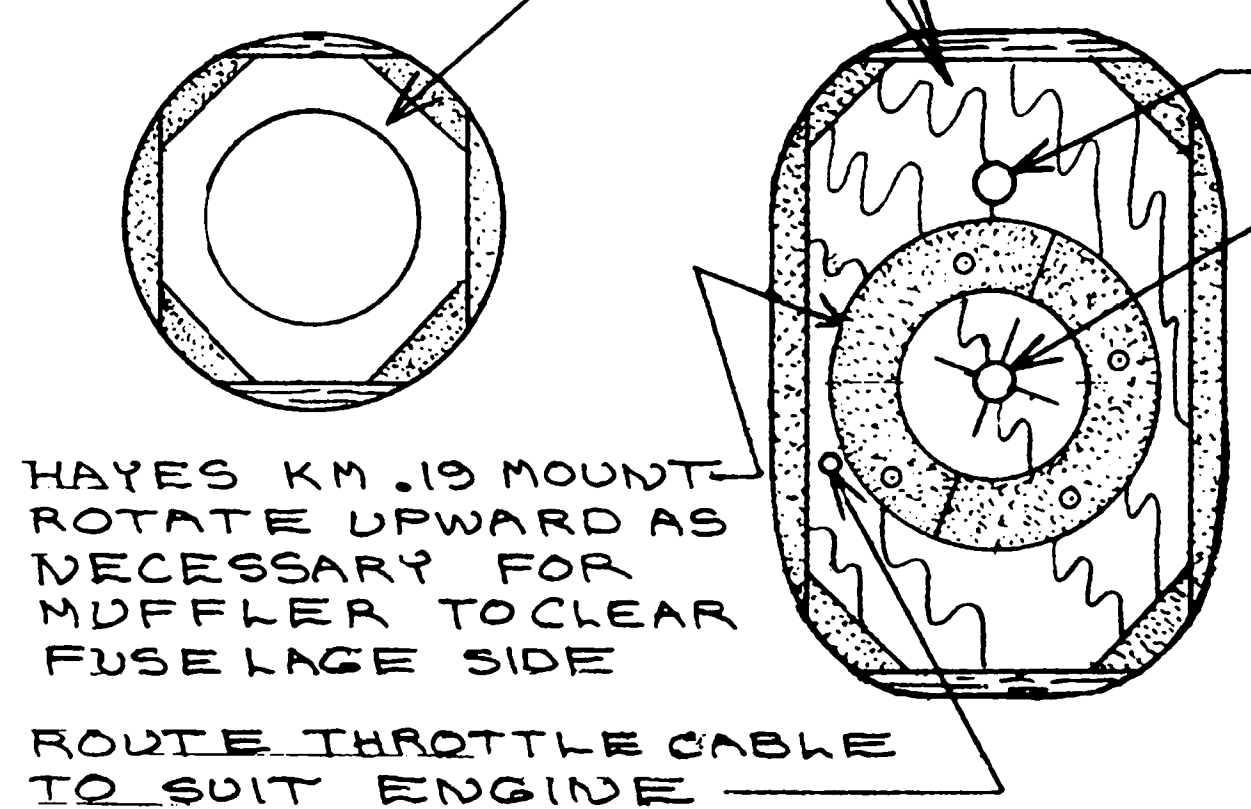
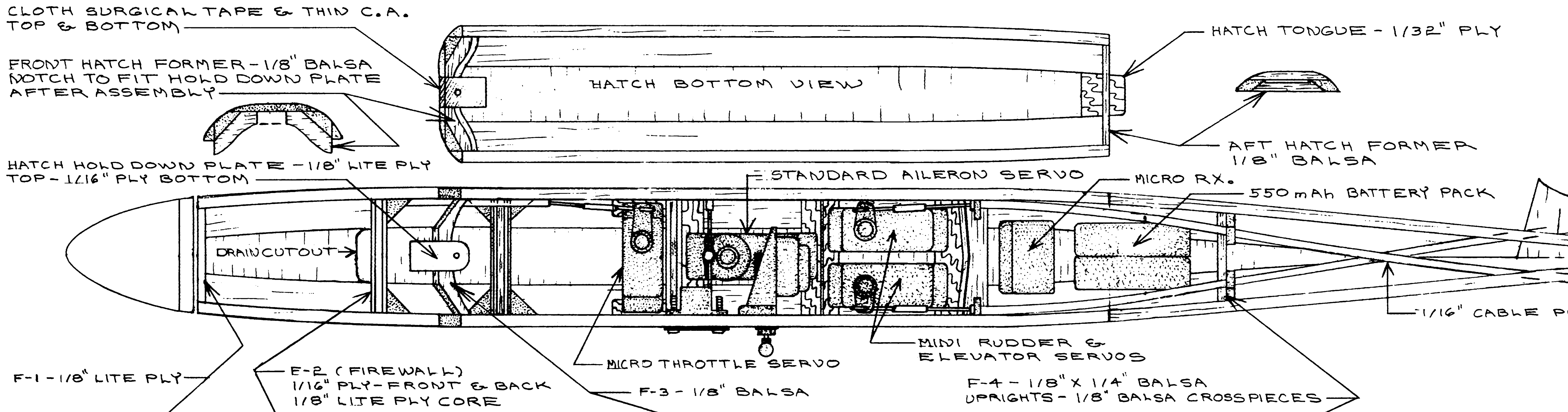
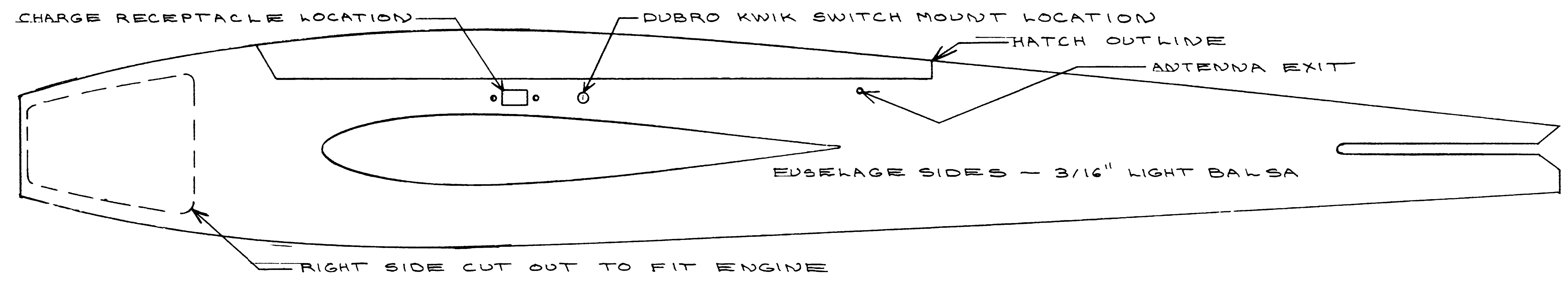
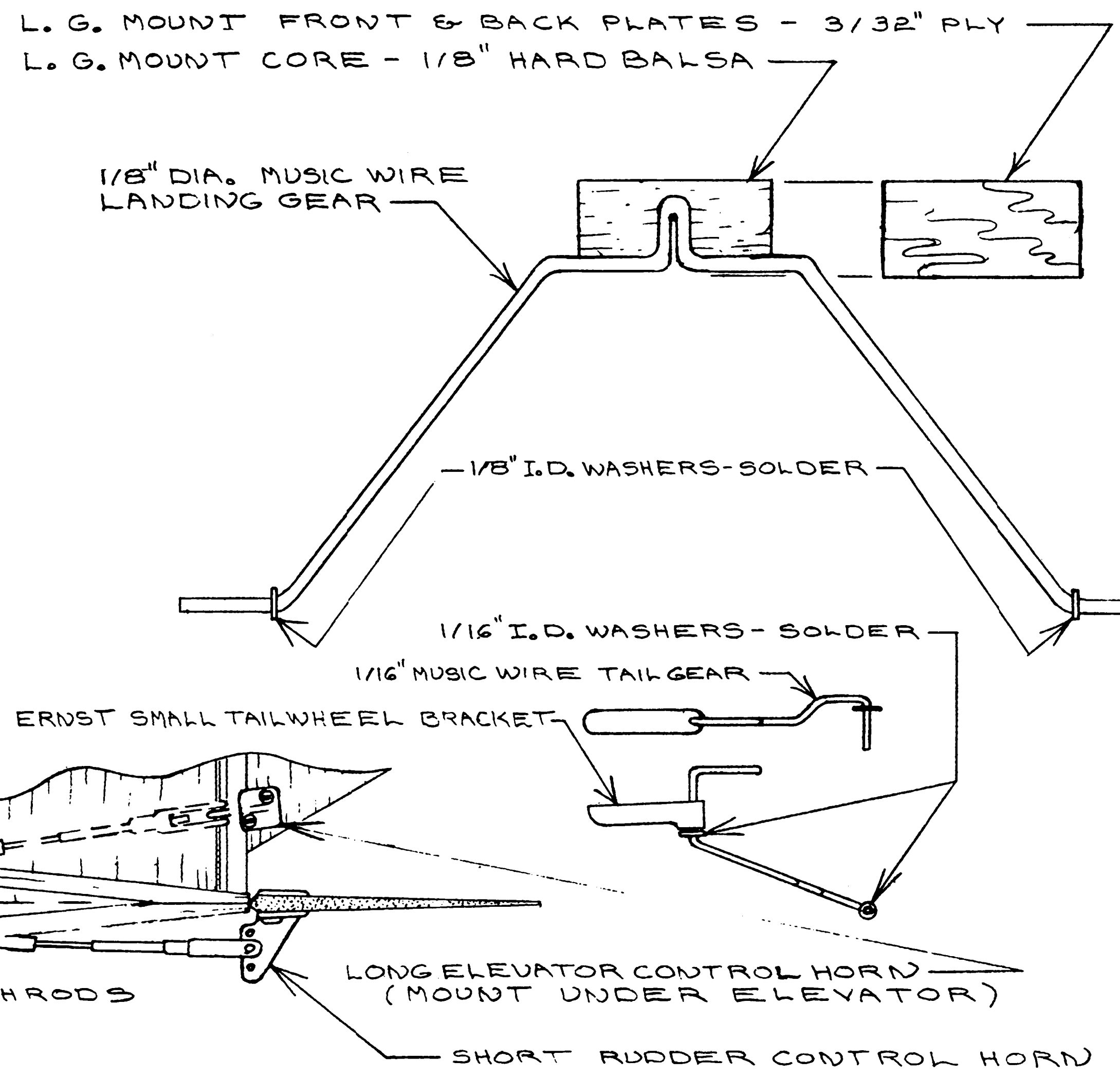
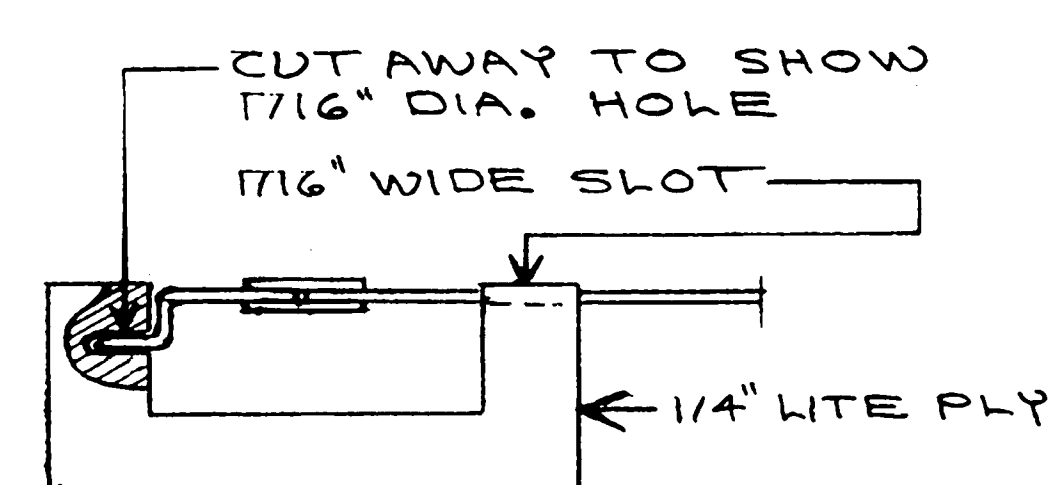
PLATE ONE OF TWO

HYPERBATIC FUN FLIER FOR
HOT .19 TO .25 POWER
40" SPAN - 320 GR. INCHES - 40 OZS.
DESIGN BY TYRONE PARKER

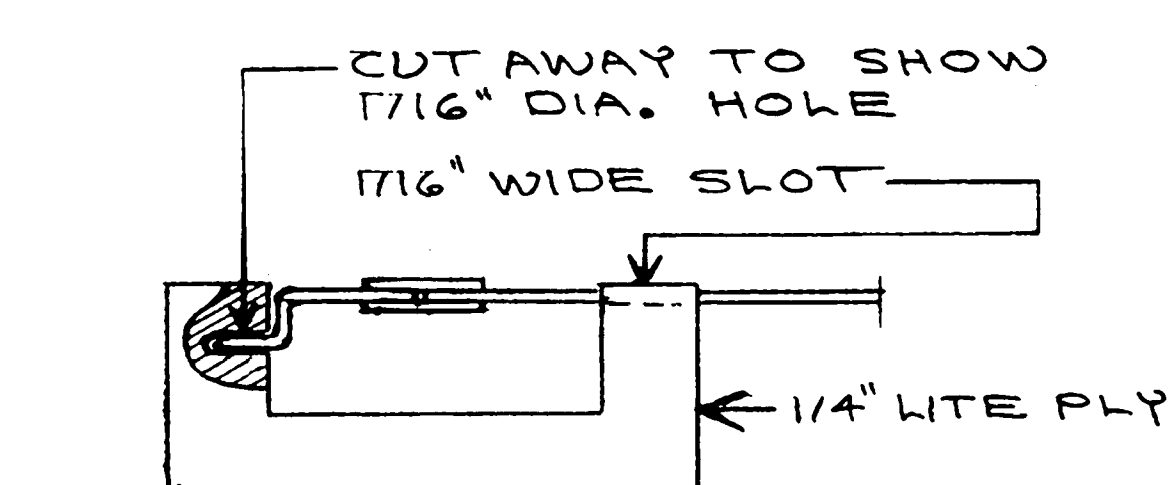
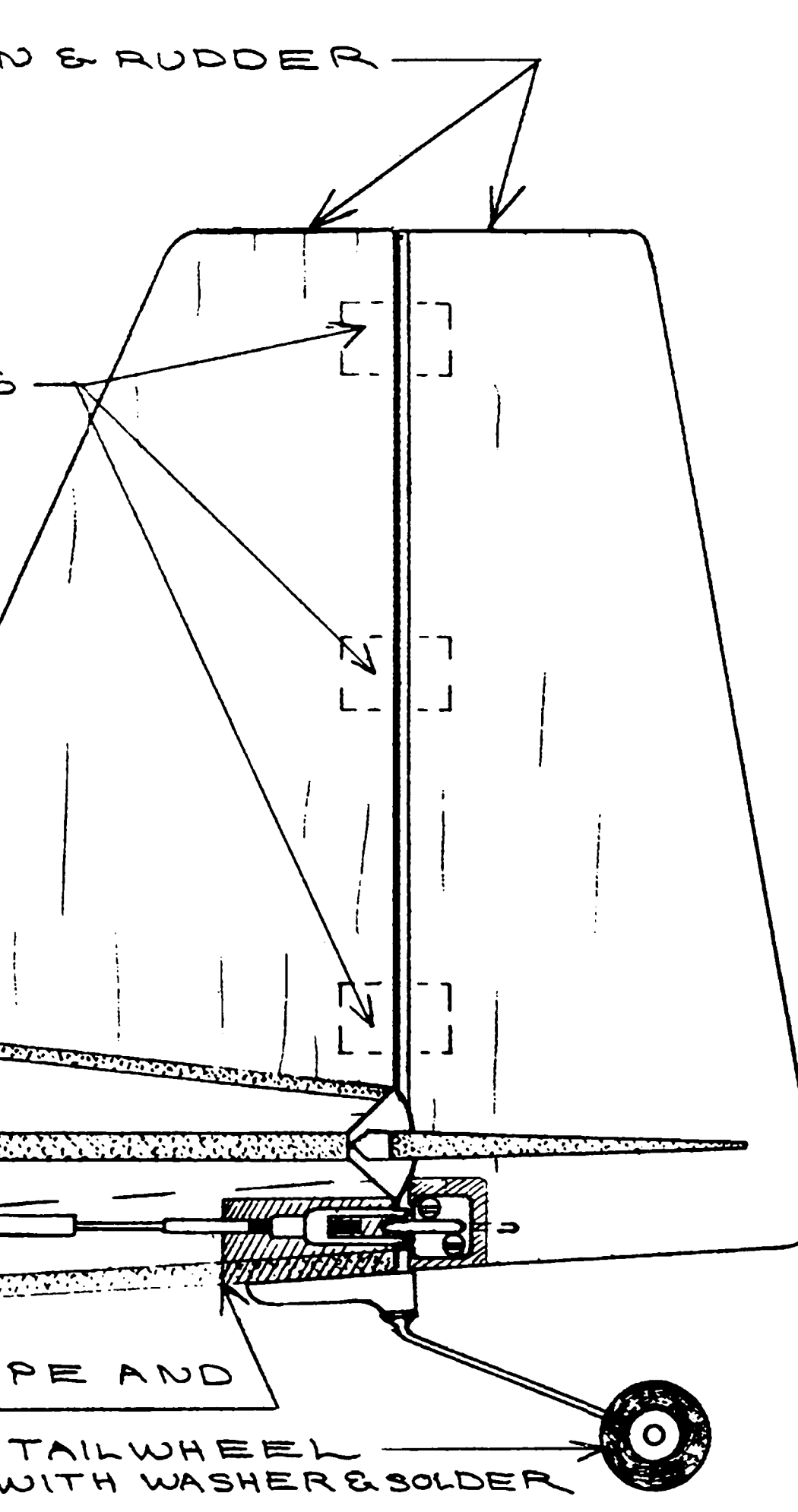
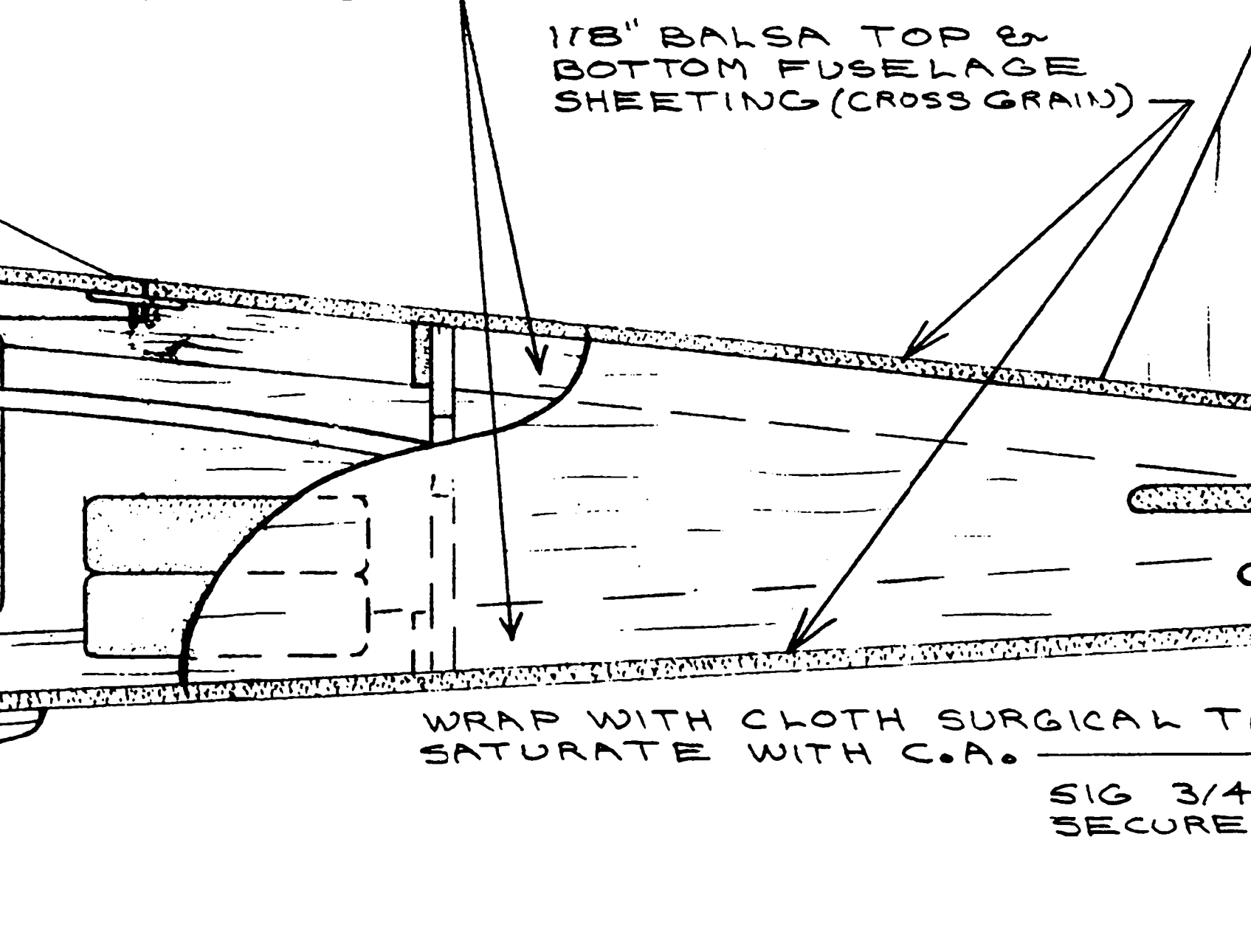
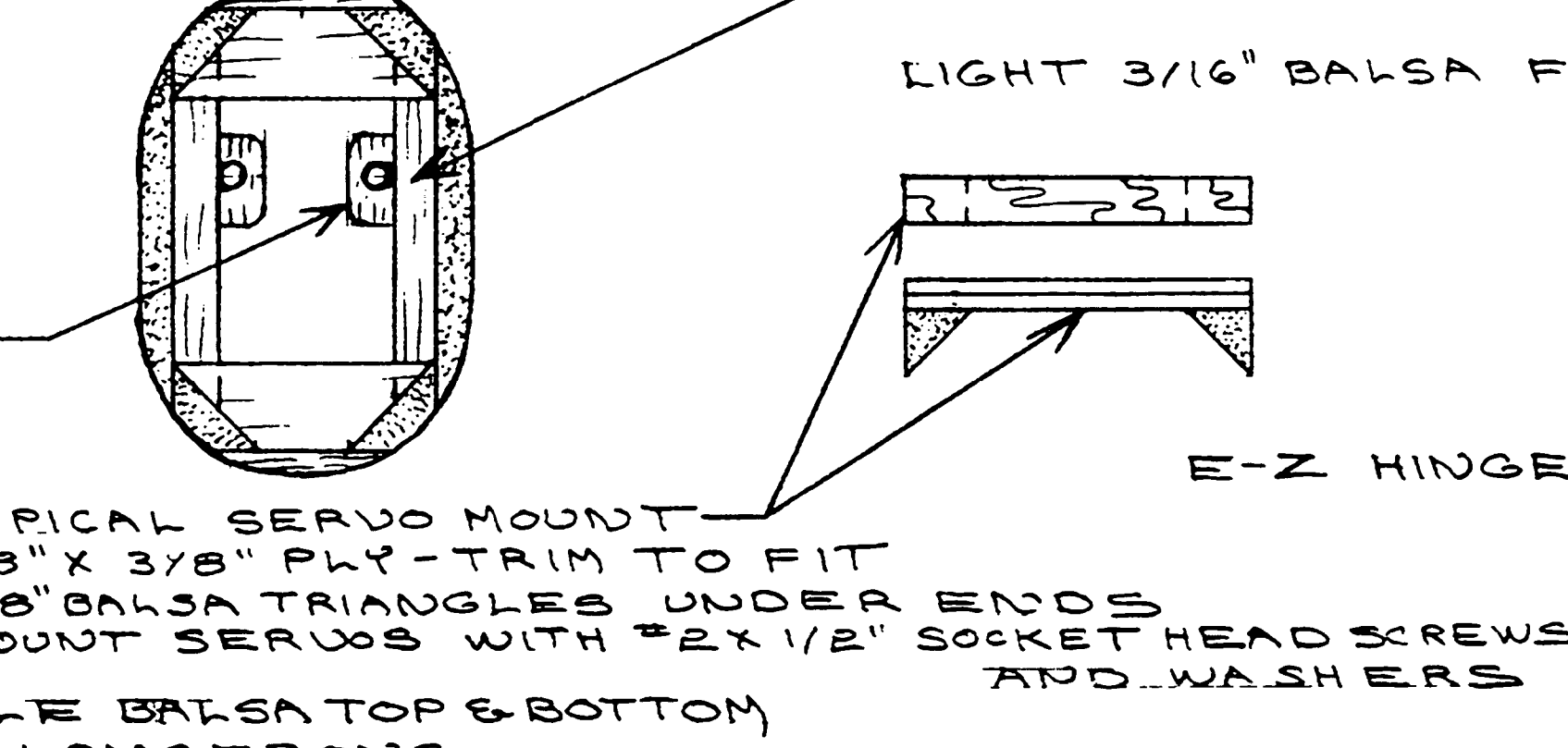
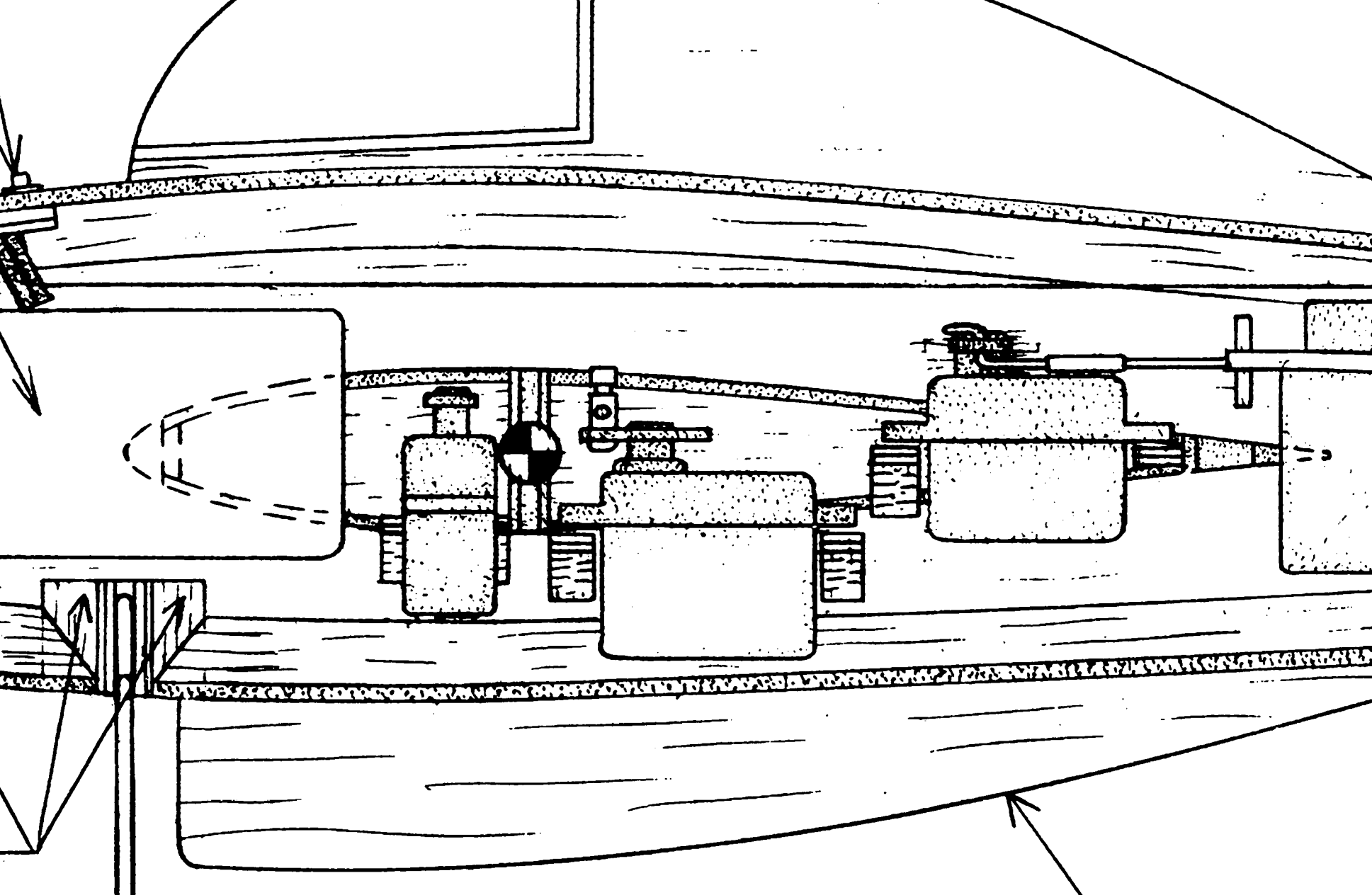
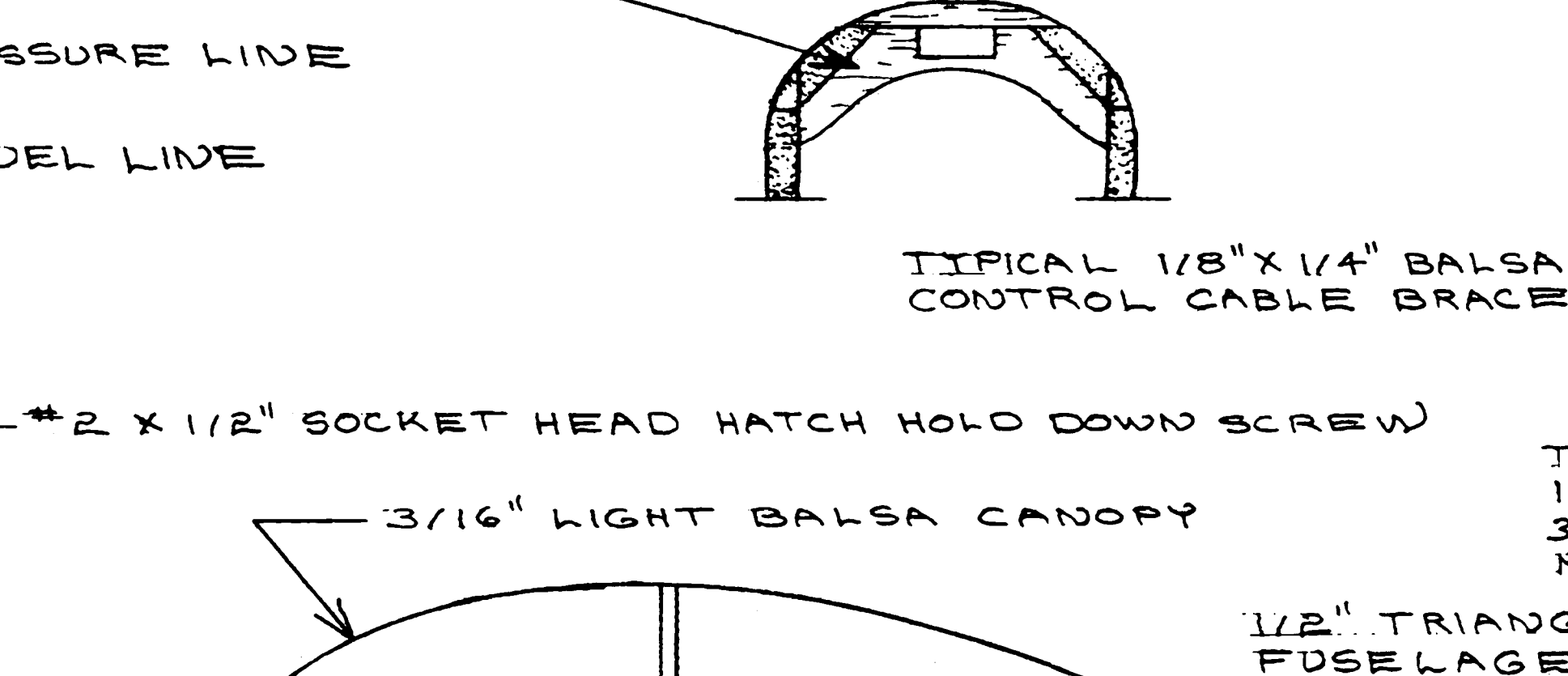
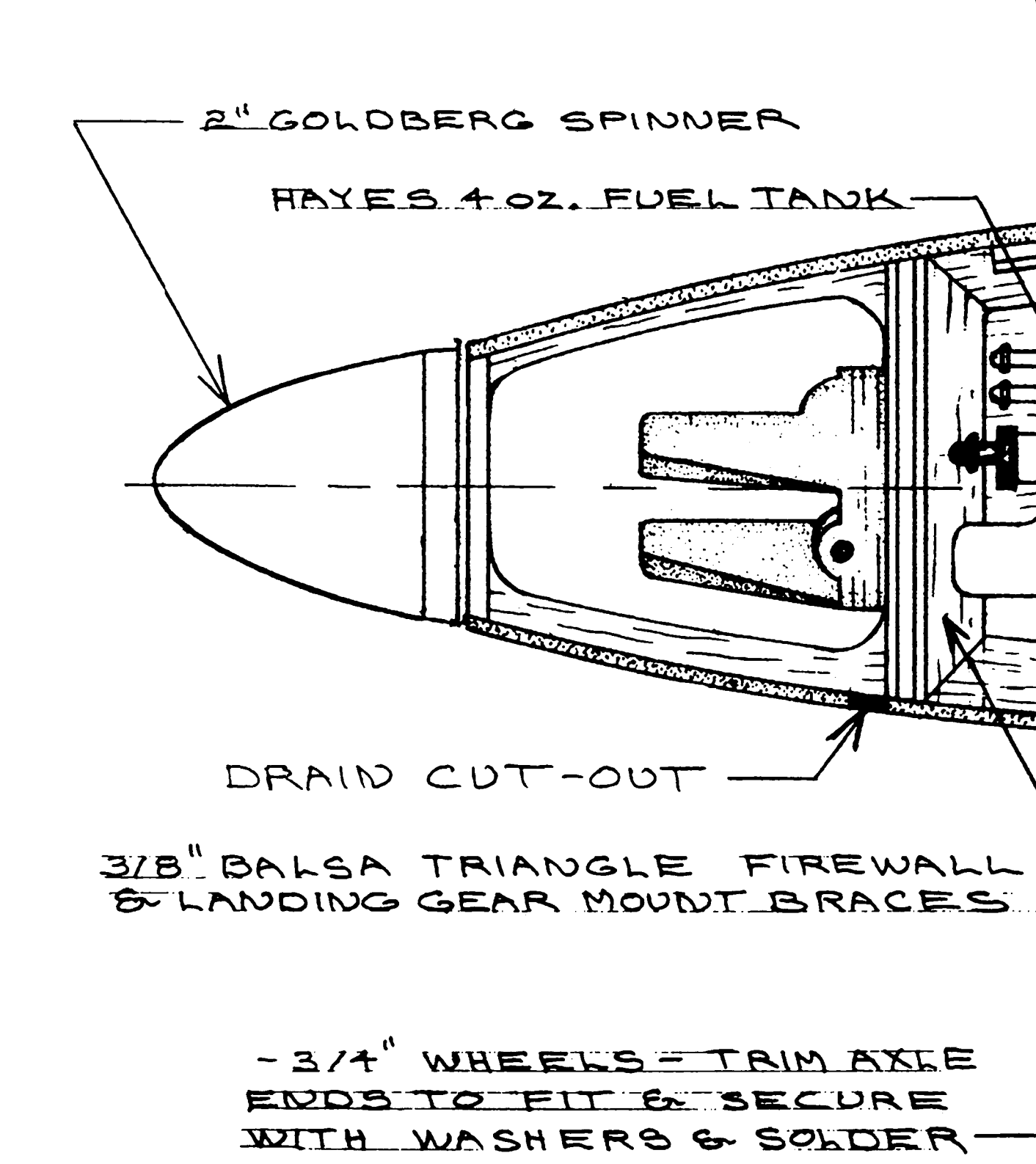
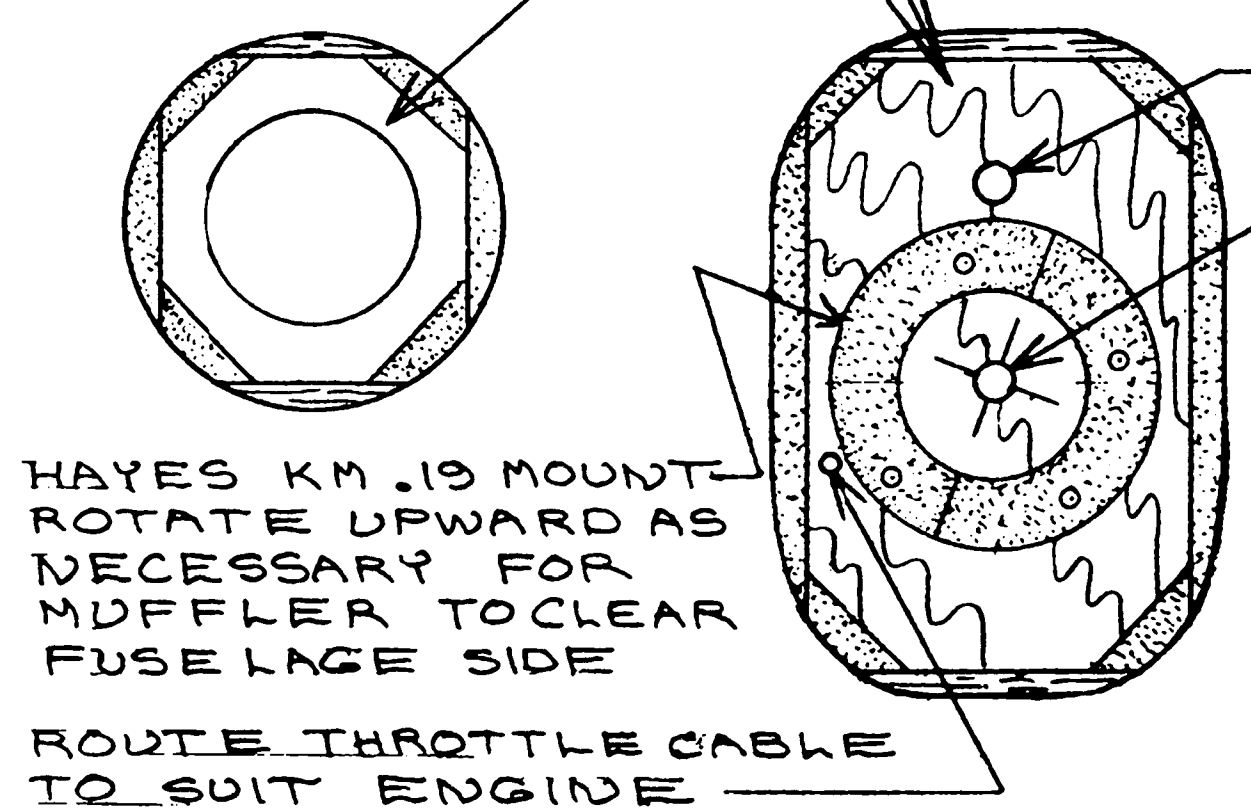
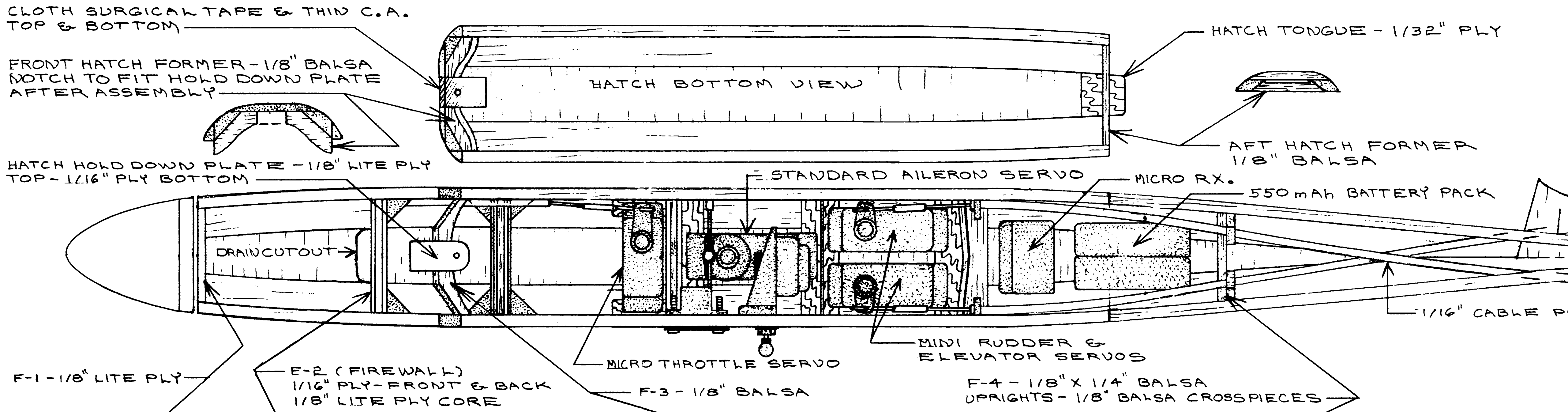
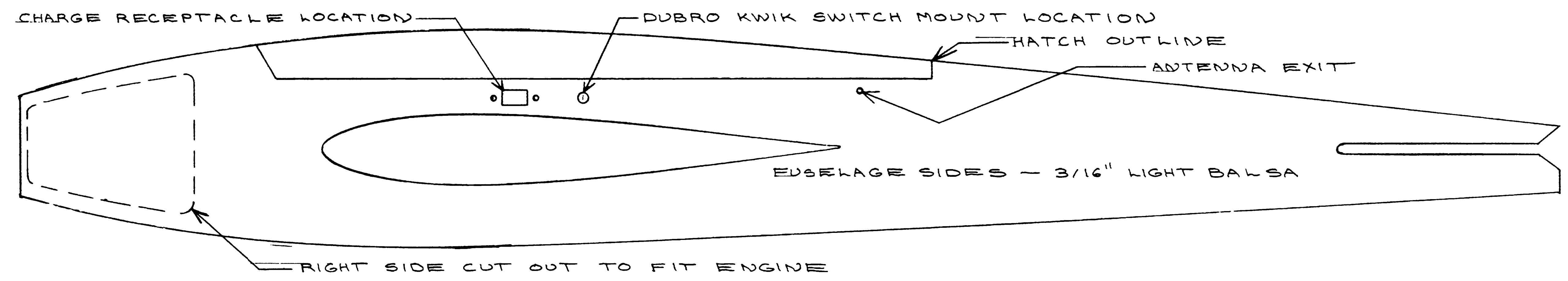
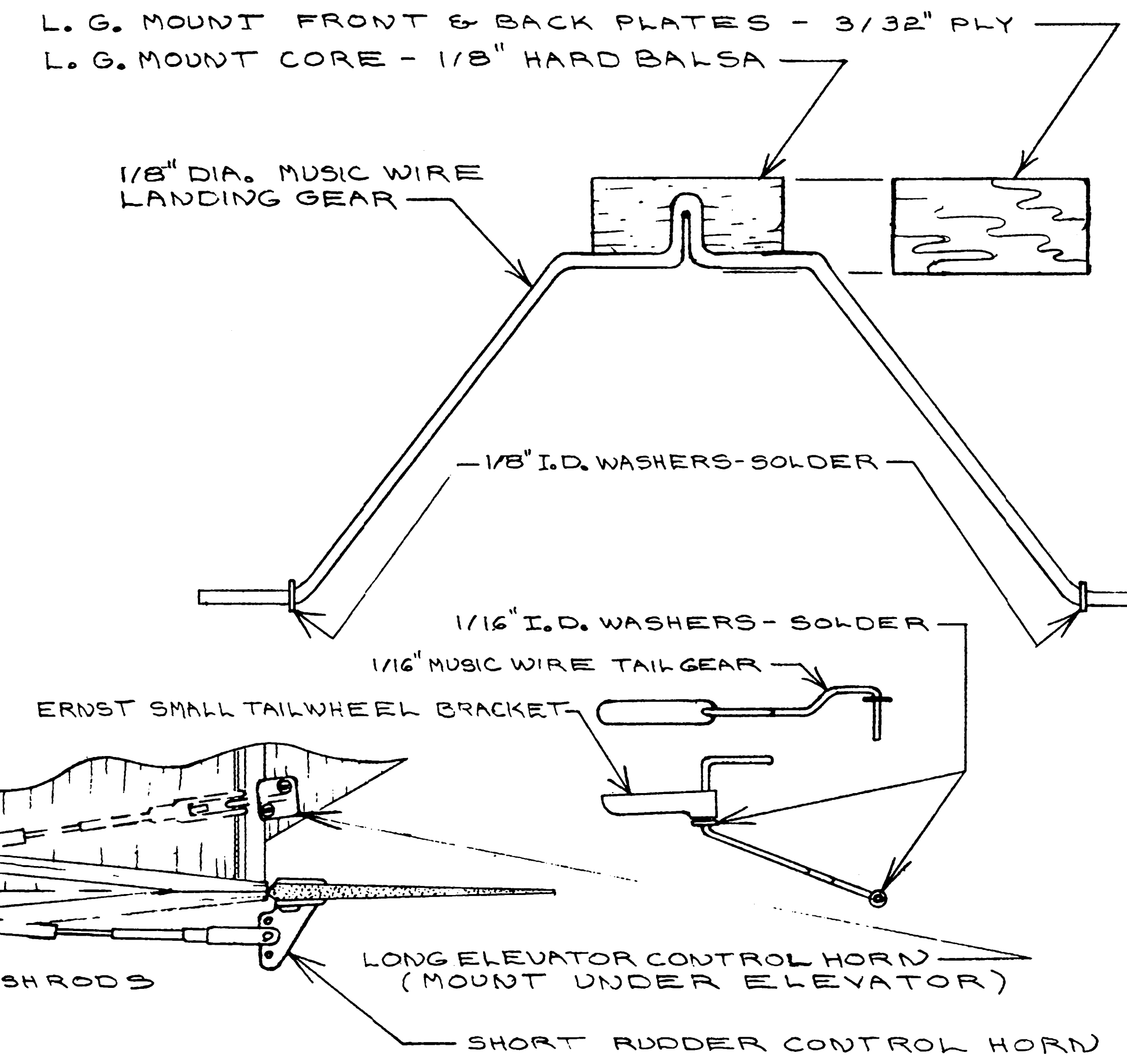


MODEL BUILDER
magazine
1901-A

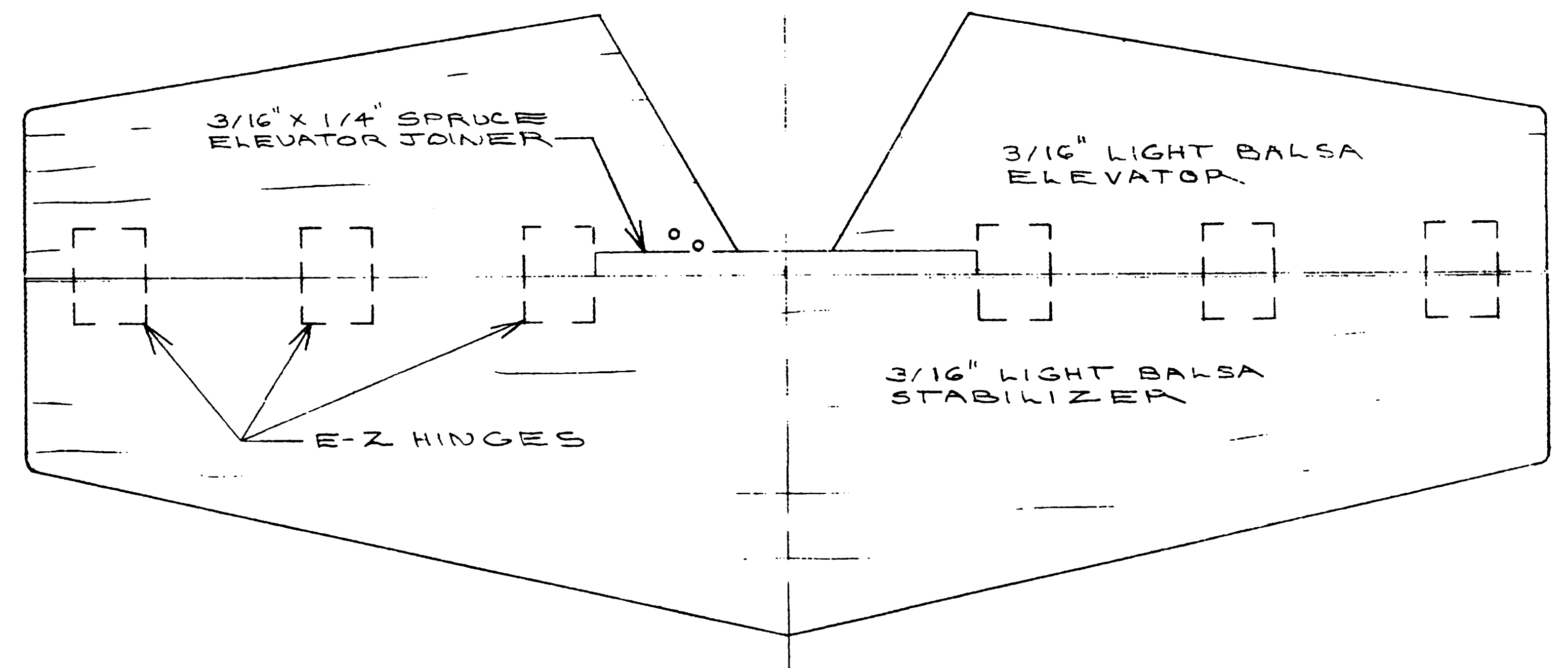
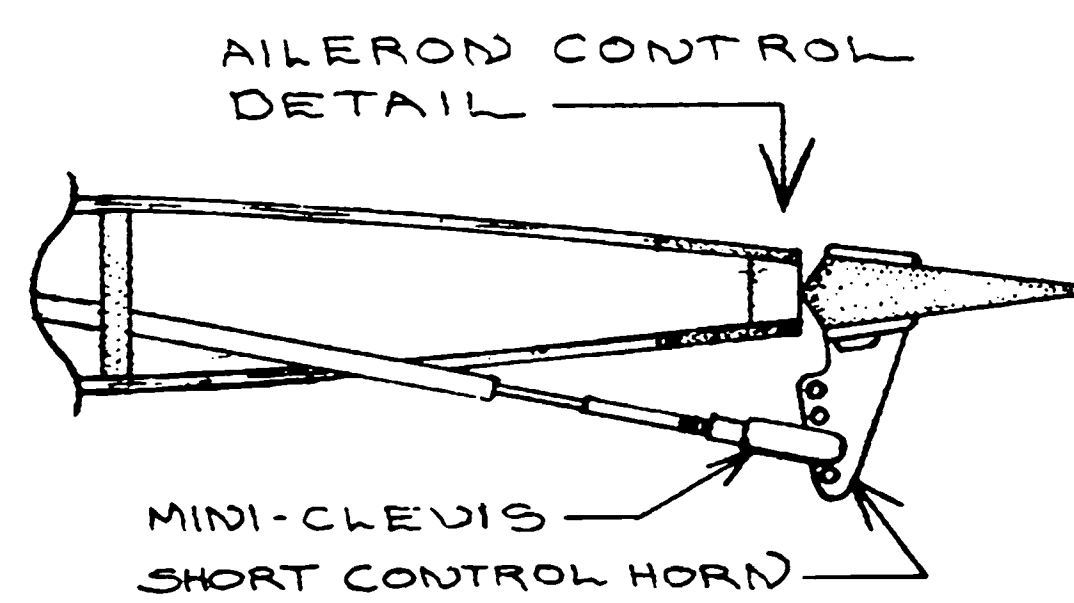
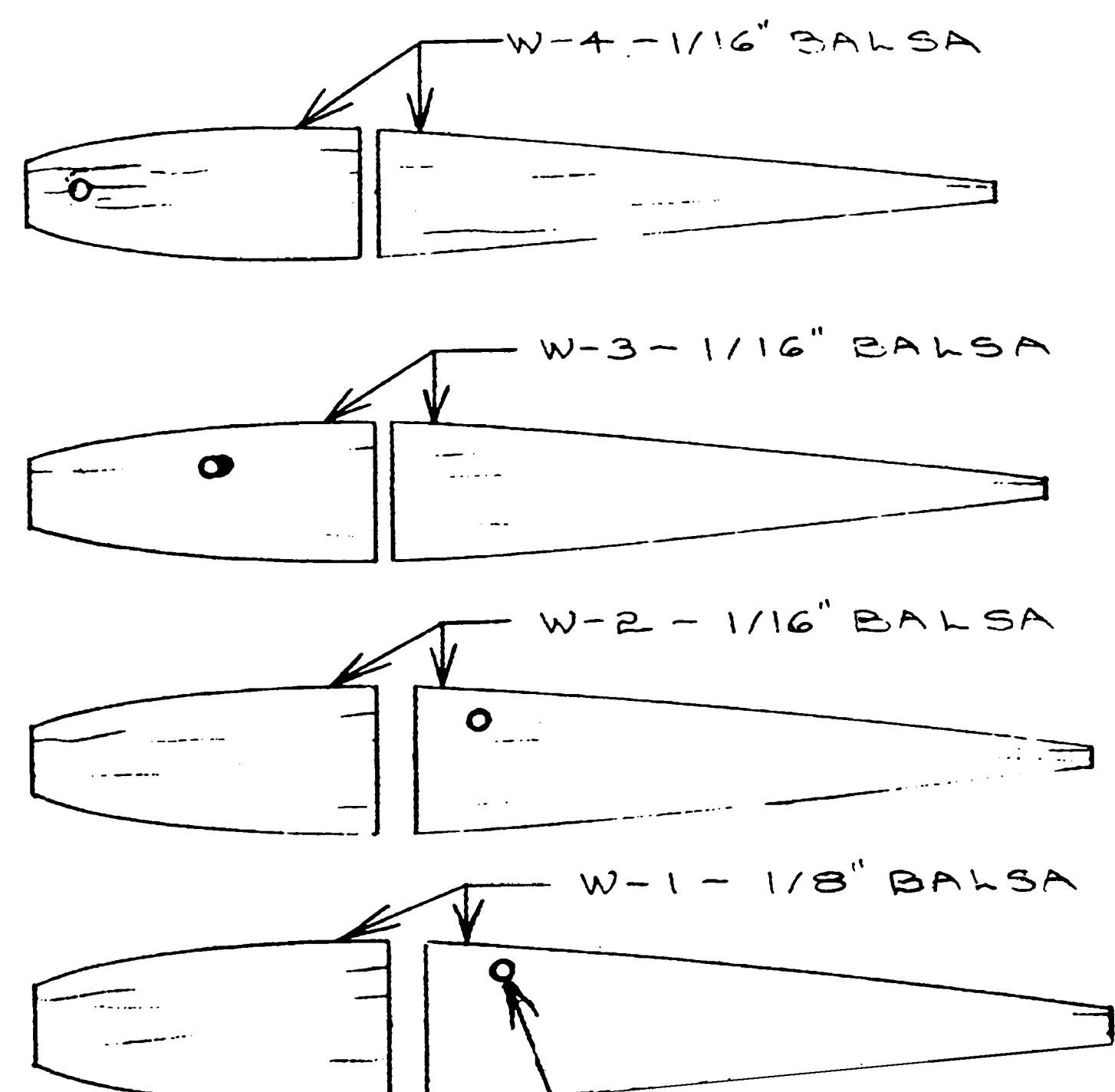
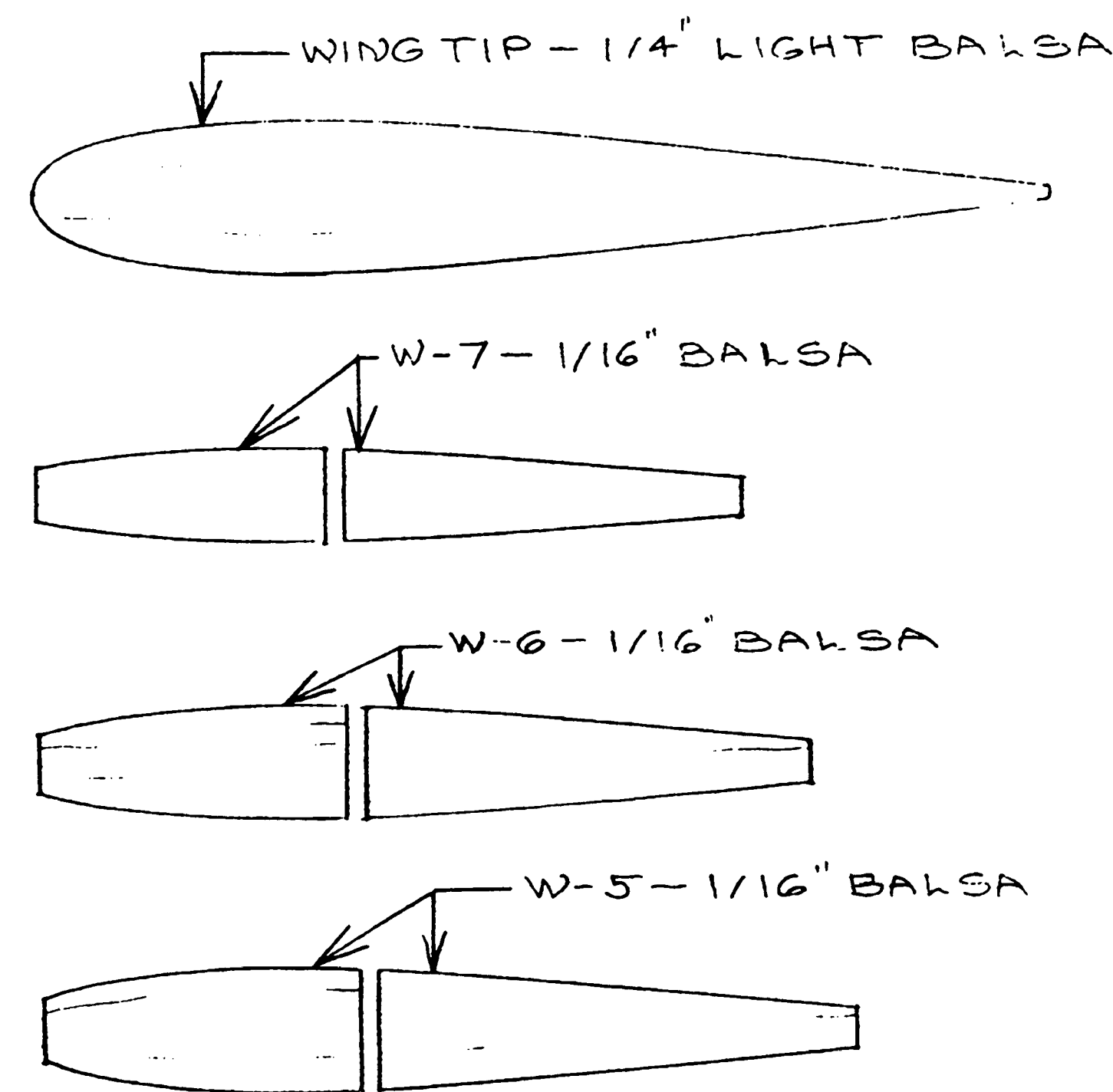
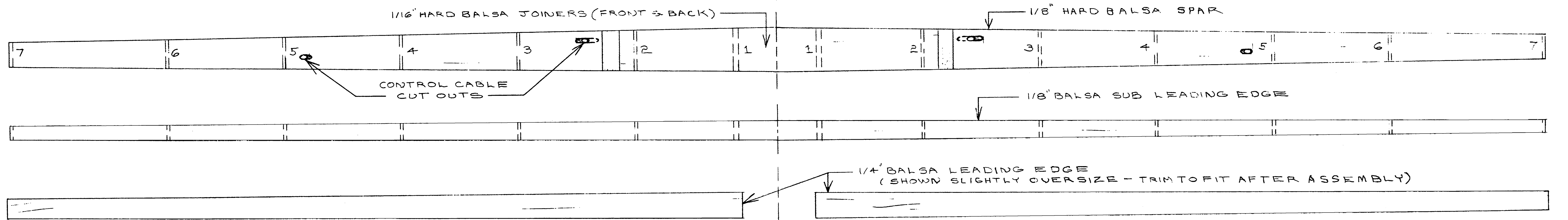
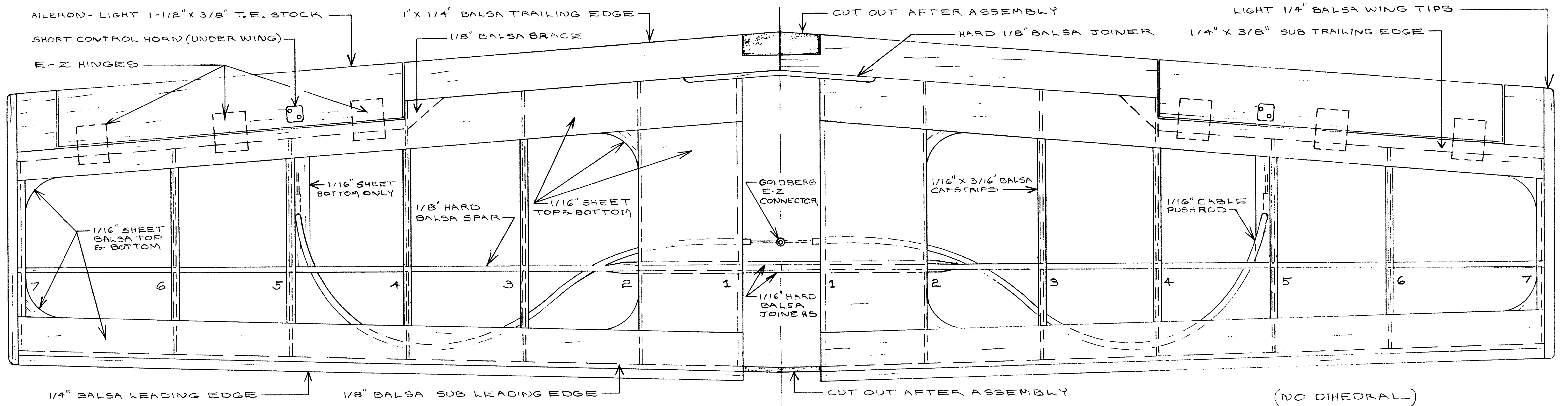
SERVO END CONTROL CABLE ASSEMBLY FIXTURE
MAKE Z BEND FROM GOLDBERG TRUE 1/16" PUSHROD STOCK
PRESS INTO FIXTURE HOLE
APPLY PASTE SOLDERING FLUX
SLIDE 1/16" I.D. BRASS TUBE INTO PLACE
APPLY FLUX TO CABLE END - SLIDE CABLE INTO TUBE AND PRESS CABLE INTO FIXTURE SLOT
CENTER TUBE AND SOLDER BOTH ENDS.
SLIDE COMPLETED CABLE INTO INSTALLED TUBE - ATTACH TO SERVO ARM - TRIM END TO FIT CLEVIS COUPLER - APPLY FLUX - LEVEL CONTROL SURFACE ADD SOLDER.



SERVO END CONTROL CABLE ASSEMBLY FIXTURE
MAKE Z BEND FROM GOLDBERG TRUE 1/16" PUSHROD STOCK
PRESS INTO FIXTURE HOLE
APPLY PASTE SOLDERING FLUX
SLIDE 1/16" I.D. BRASS TUBE INTO PLACE
APPLY FLUX TO CABLE END - SLIDE CABLE INTO TUBE AND PRESS CABLE INTO FIXTURE SLOT
CENTER TUBE AND SOLDER BOTH ENDS.
SLIDE COMPLETED CABLE INTO INSTALLED TUBE - ATTACH TO SERVO ARM - TRIM END TO FIT CLEVIS COUPLER - APPLY FLUX - LEVEL CONTROL SURFACE ADD SOLDER.



SERVO END CONTROL CABLE ASSEMBLY FIXTURE
MAKE Z BEND FROM GOLDBERG TRUE 1/16" PUSHROD STOCK
PRESS INTO FIXTURE HOLE
APPLY PASTE SOLDERING FLUX
SLIDE 1/16" I.D. BRASS TUBE INTO PLACE
APPLY FLUX TO CABLE END - SLIDE CABLE INTO TUBE AND PRESS CABLE INTO FIXTURE SLOT
CENTER TUBE AND SOLDER BOTH ENDS.
SLIDE COMPLETED CABLE INTO INSTALLED TUBE - ATTACH TO SERVO ARM - TRIM END TO FIT CLEVIS COUPLER - APPLY FLUX - LEVEL CONTROL SURFACE ADD SOLDER.

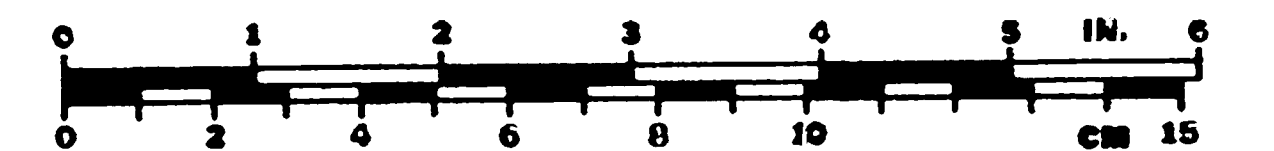


CONTROL CABLE CUT-OUTS

THE EDGE OF KNIFE

PLATE TWO OF TWO

DESIGN BY TYRONE PARKER



MODEL BUILDER
magazine

800 West 106th St., Newport Beach, California 92660

Plan No: 1901-B