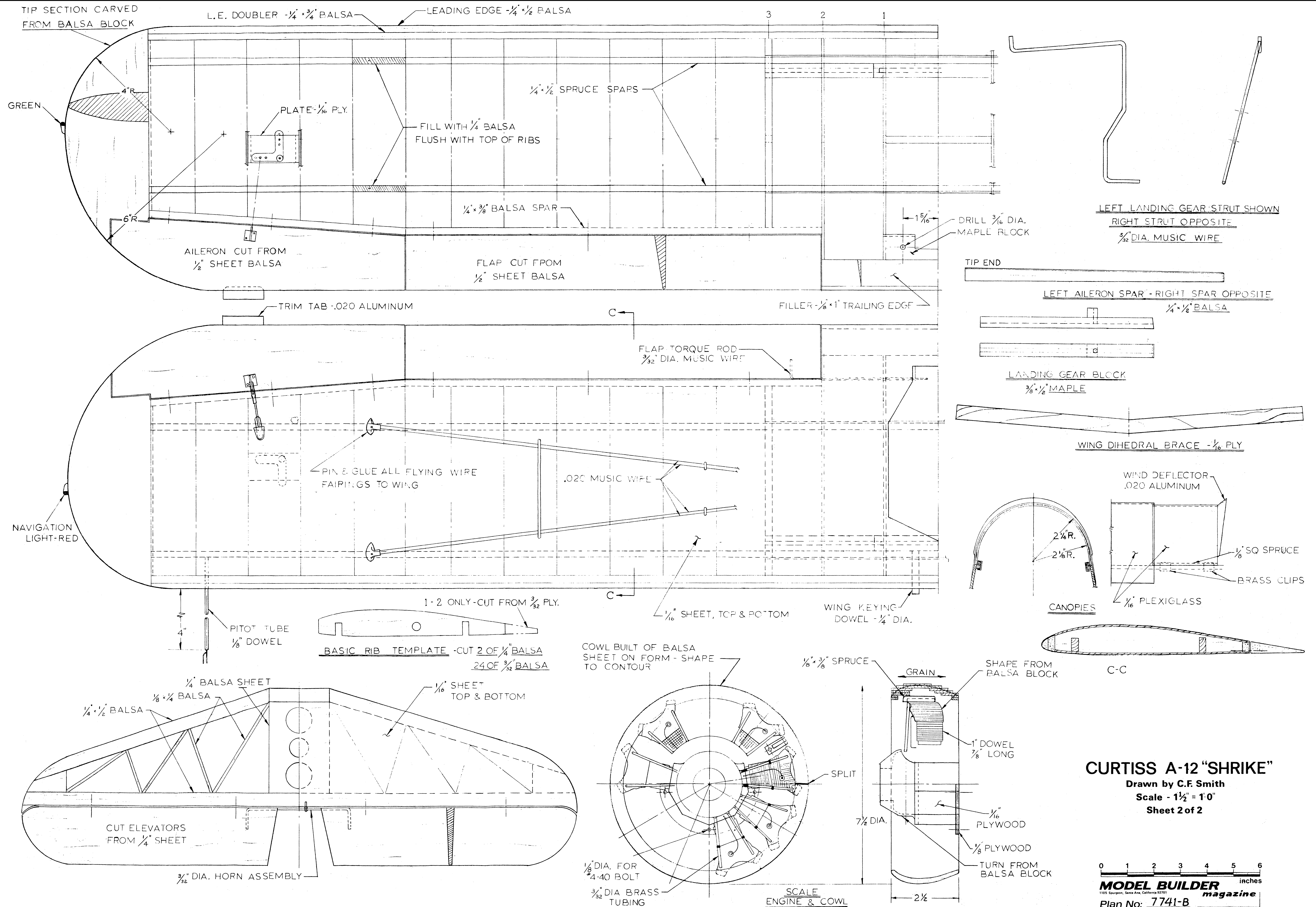


REFERENCE:
SCALE MODELS BY "WYLAN",
PROFILE PUBLICATION #128

CURTISS A-12 "SHRIKE"
 Drawn by C.F. Smith
 Scale 1 1/2" = 1'-0"
 Sheet 1 of 2

0 1 2 3 4 5 6
 inches
MODEL BUILDER
 magazine
 Plan No: 7741-A



CURTISS A-12 "SHRIKE"
 Drawn by C.F. Smith
 Scale - 1 1/2" = 1'0"
 Sheet 2 of 2

