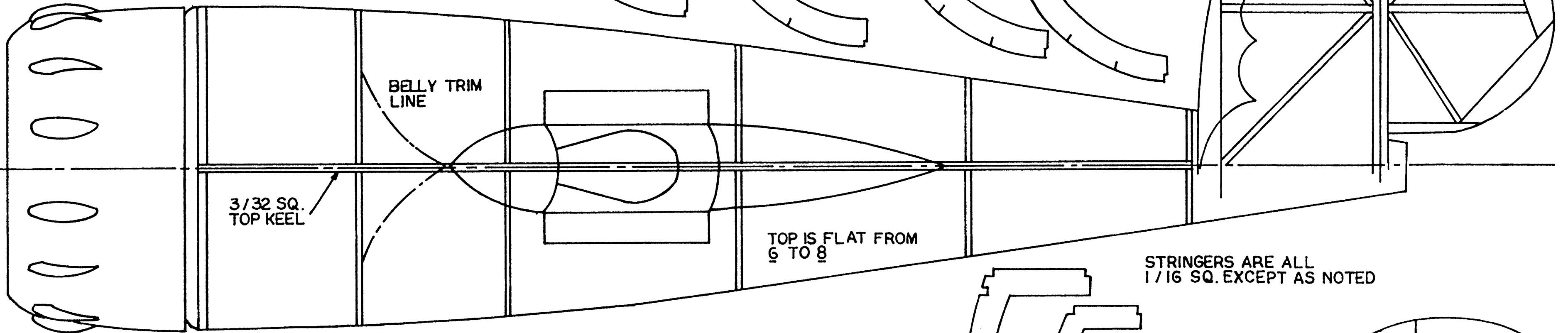
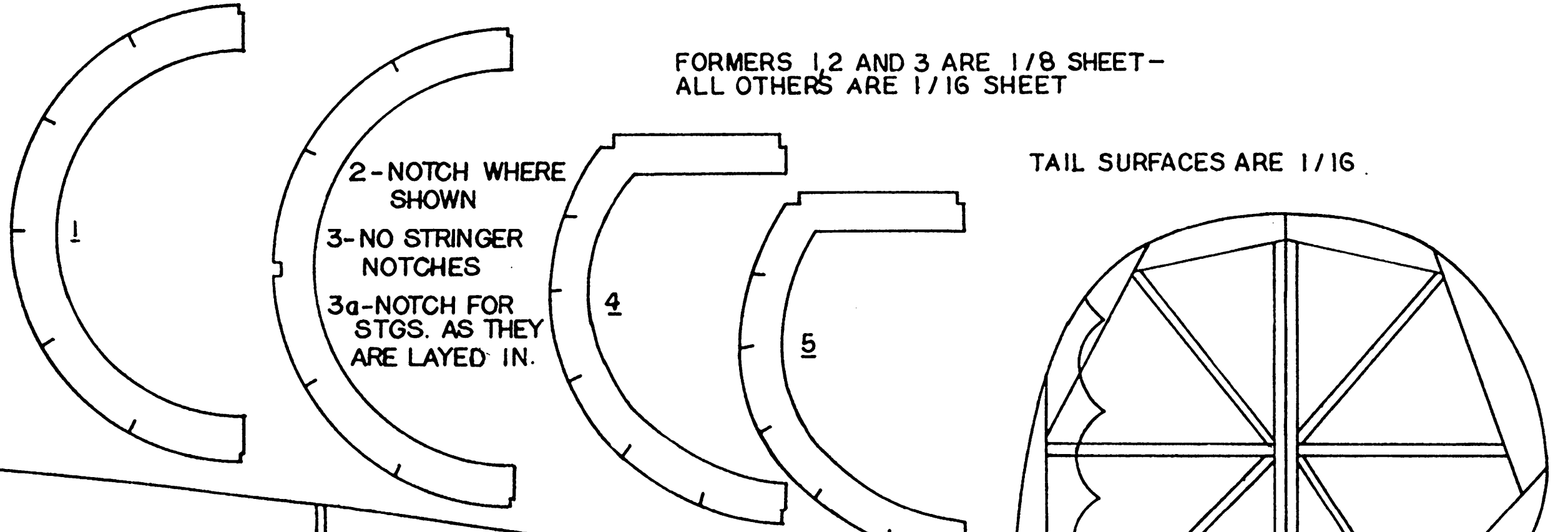
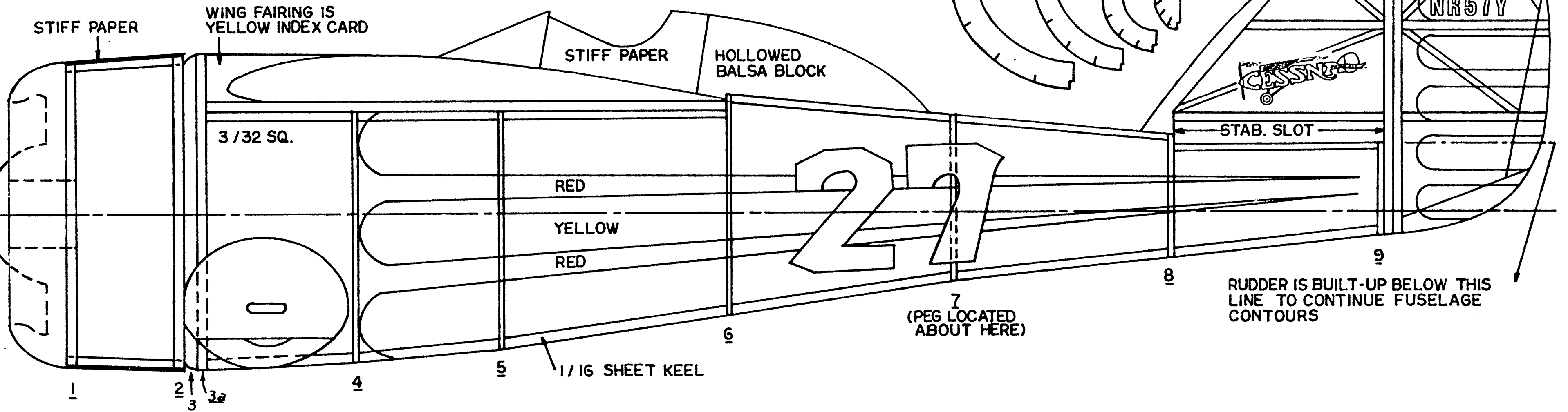


CR-3

PROP: 8 INCH PLASTIC



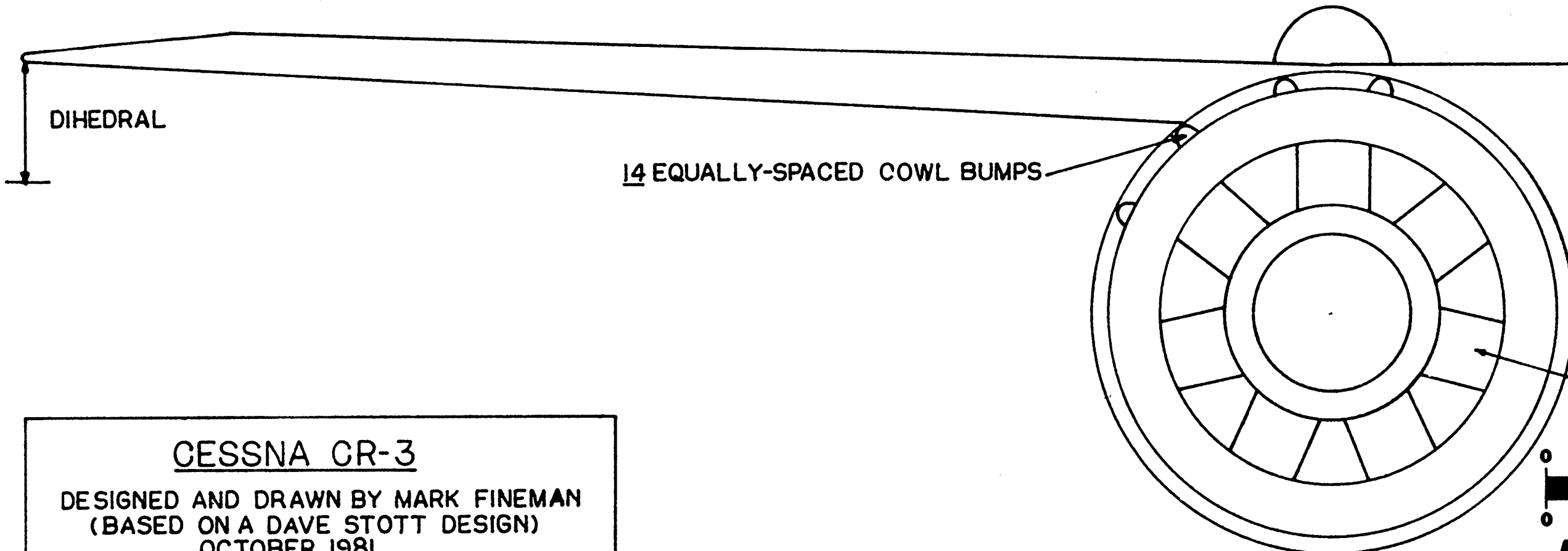
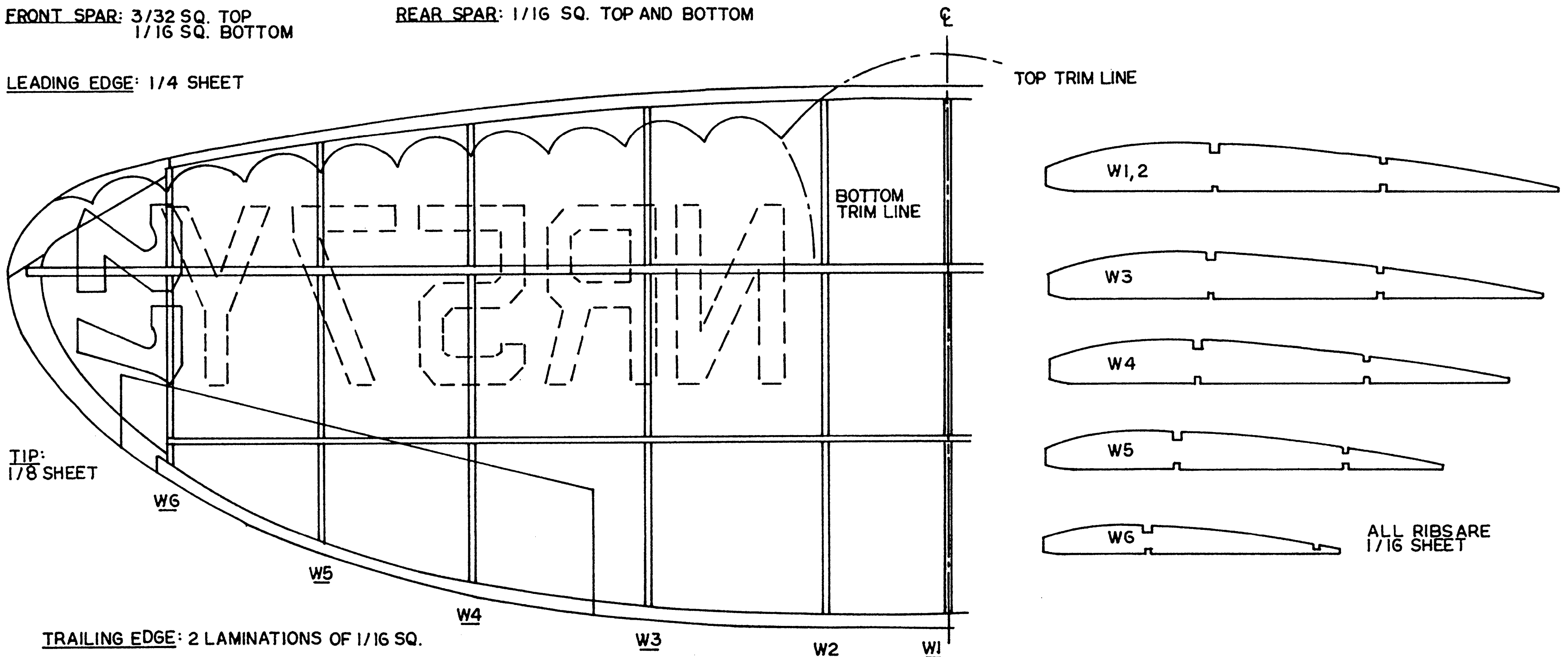
COWL BUMPS FROM SCRAP



FRONT SPAR: 3/32 SQ. TOP
1/16 SQ. BOTTOM

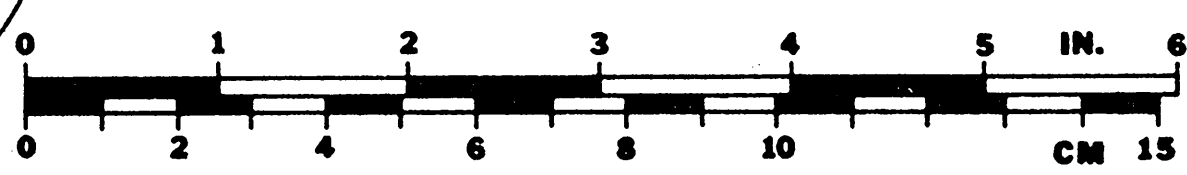
REAR SPAR: 1/16 SQ. TOP AND BOTTOM

LEADING EDGE: 1/4 SHEET



COLOR SCHEME
 YELLOW-BASIC COLOR
 ALUMINUM-FRONT OF PROP
 BLACK-27, CESSNA TRADEMARK ON FIN, TIRES, ENGINE CYLINDERS
 RED-TRIM, WING REGISTRATION, ENGINE CRANKCASE
 WHITE-TAIL REGISTRATION

NOTE: RACE NO. 27 APPEARS ON BOTH FUSELAGE SIDES, TOP OF LEFT WING TIP AND BOTTOM OF RIGHT WING TIP



CESSNA CR-3
 DESIGNED AND DRAWN BY MARK FINEMAN
 (BASED ON A DAVE STOTT DESIGN)
 OCTOBER 1981