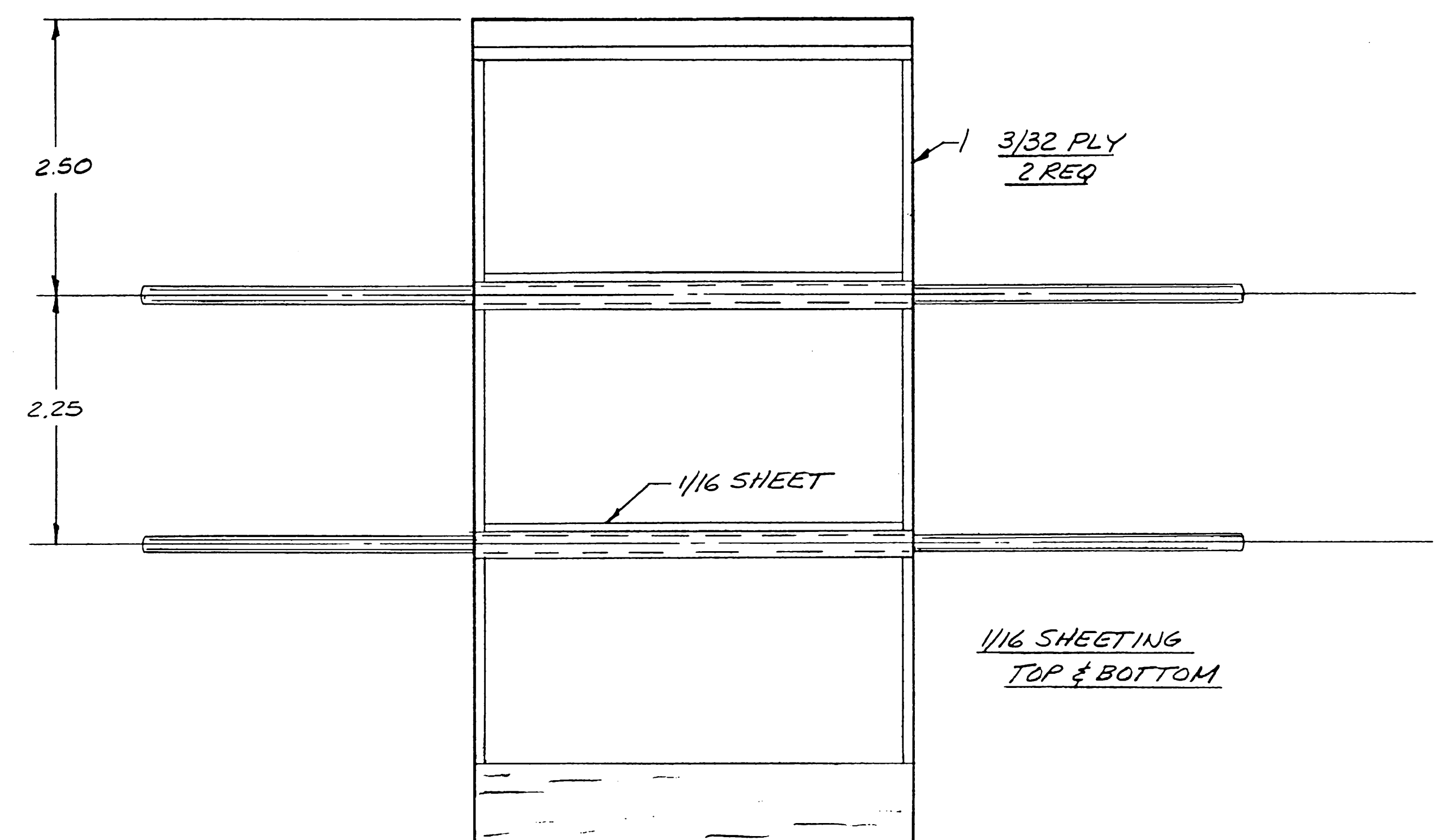
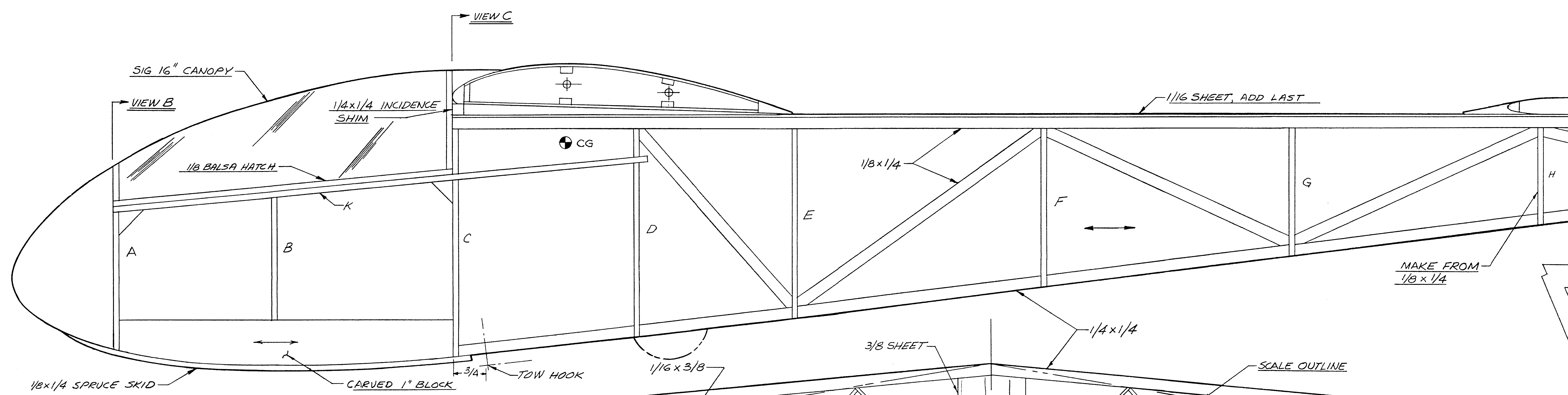
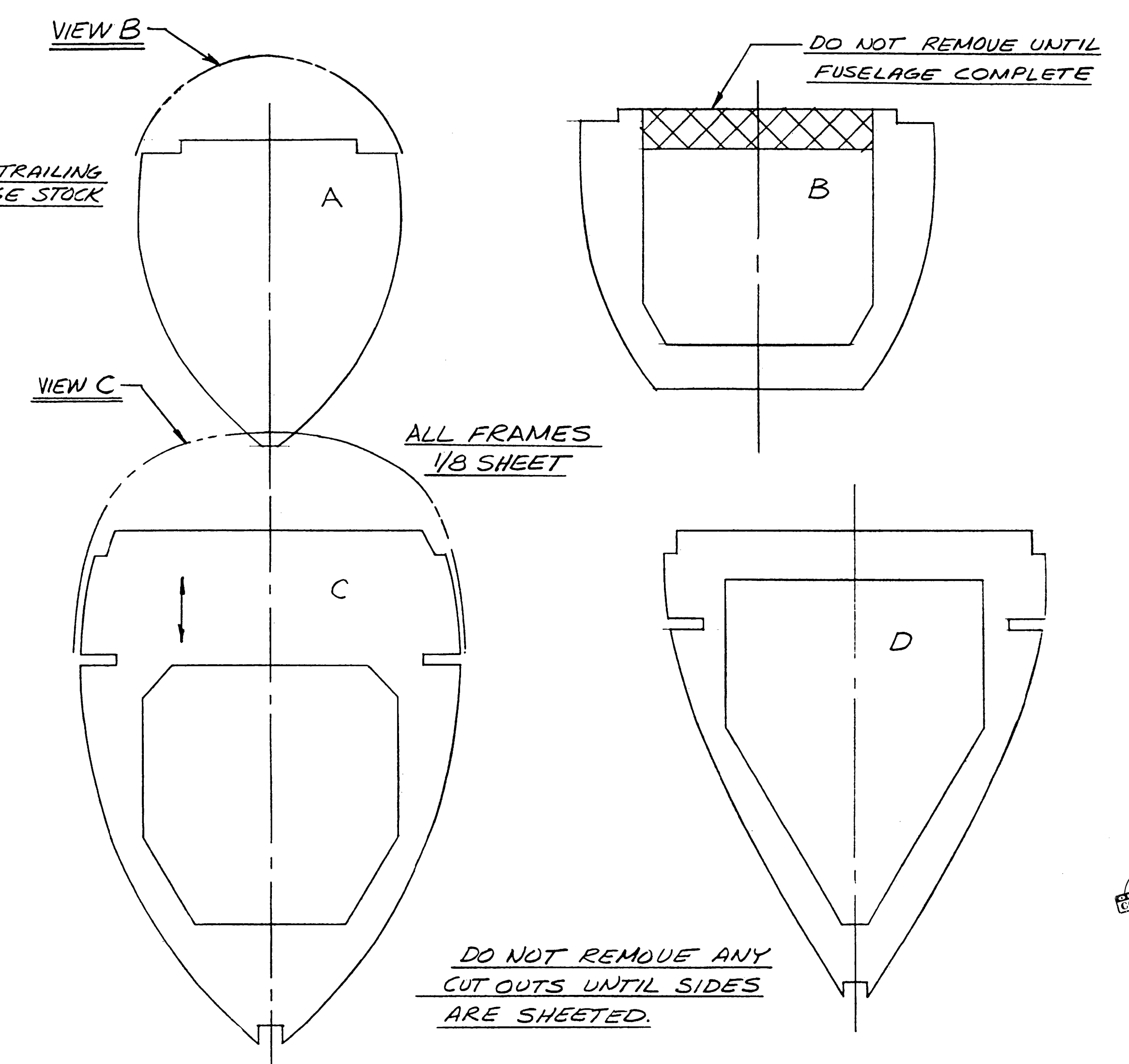
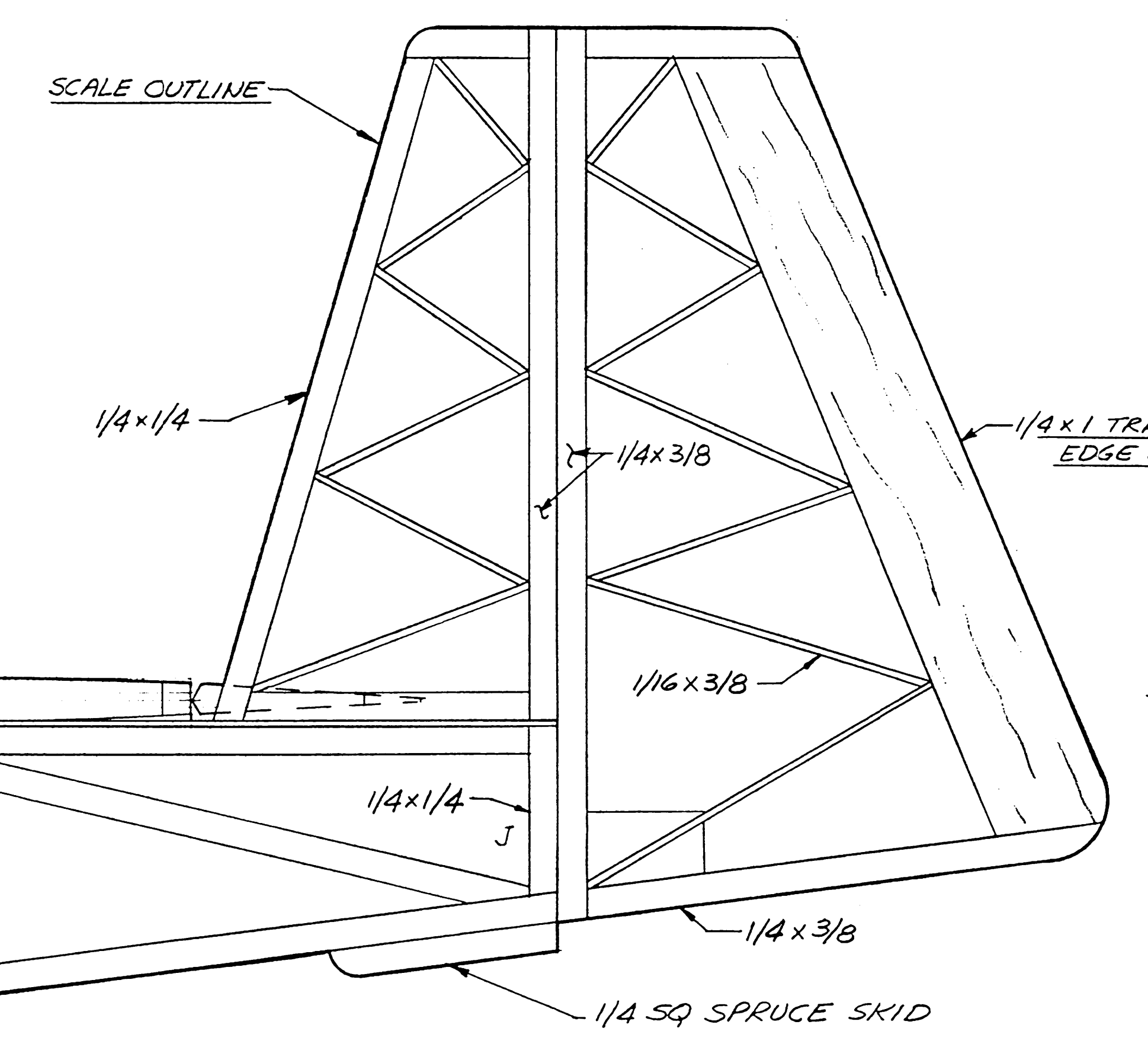
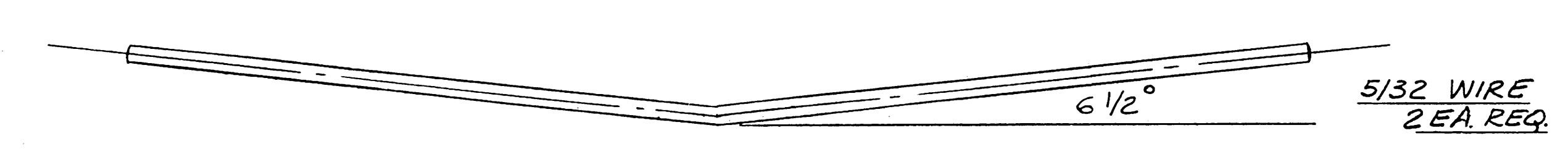


BUILD FUSELAGE INVERTED OVER THIS VIEW SHEET ENTIRE LENGTH THEN REMOVE.



- NOTES:
1. RIBS 3 THRU 15, 2 REQ, 1/16 SHEET
 2. ALL MATERIAL IS Balsa UNLESS NOTED.
 3. FILL CAVITY BETWEEN ALL WING WIRES, TUBES & SPARS WITH RESIN & MICROBALLONS.
 4. FIBERGLASS NOSE TO REAR OF FRAME "E".
 5. GRAIN IS VERTICAL ON ALL FUSELAGE FRAMES.
 6. C.G. SHOULD BE ± 1/8 FROM WHERE SHOWN. SHORT TAIL MOMENT WILL CAUSE SENSITIVITY.

BRIEGLER BG-12
SCALE: 1/16 SIZE
DESIGNED & DRAWN BY: CHRIS CHRISTEN

WING SPAN: 100 IN. AREA: 618 SQ IN./4.3 SQ FT
STAB: 91 SQ IN. (13%) FLYING WEIGHT: 38 TO 42 OZ.
1/16/13

THE MODEL BUILDER/magazine
12652 Del Rey Drive, Santa Ana, California 92705
Plan No: 4731

