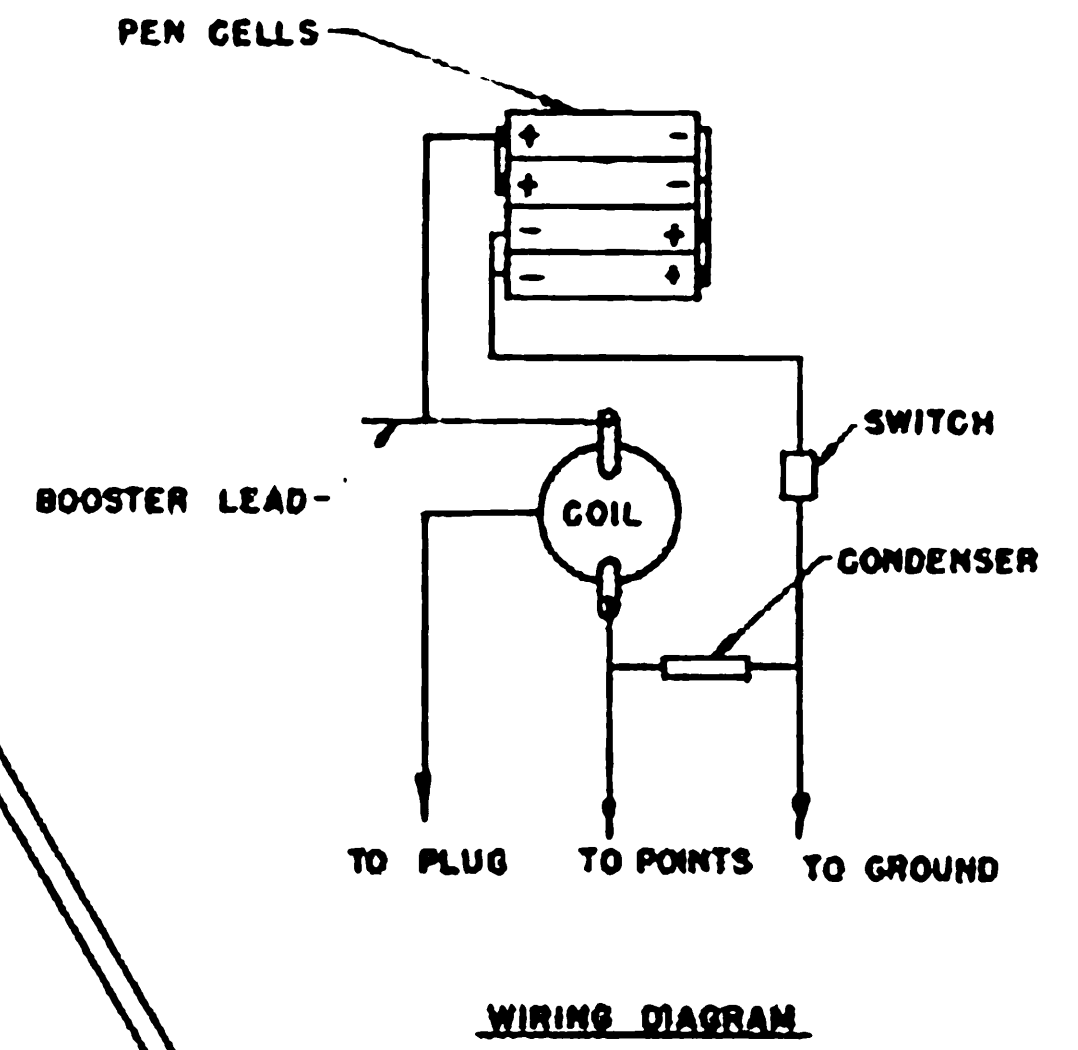
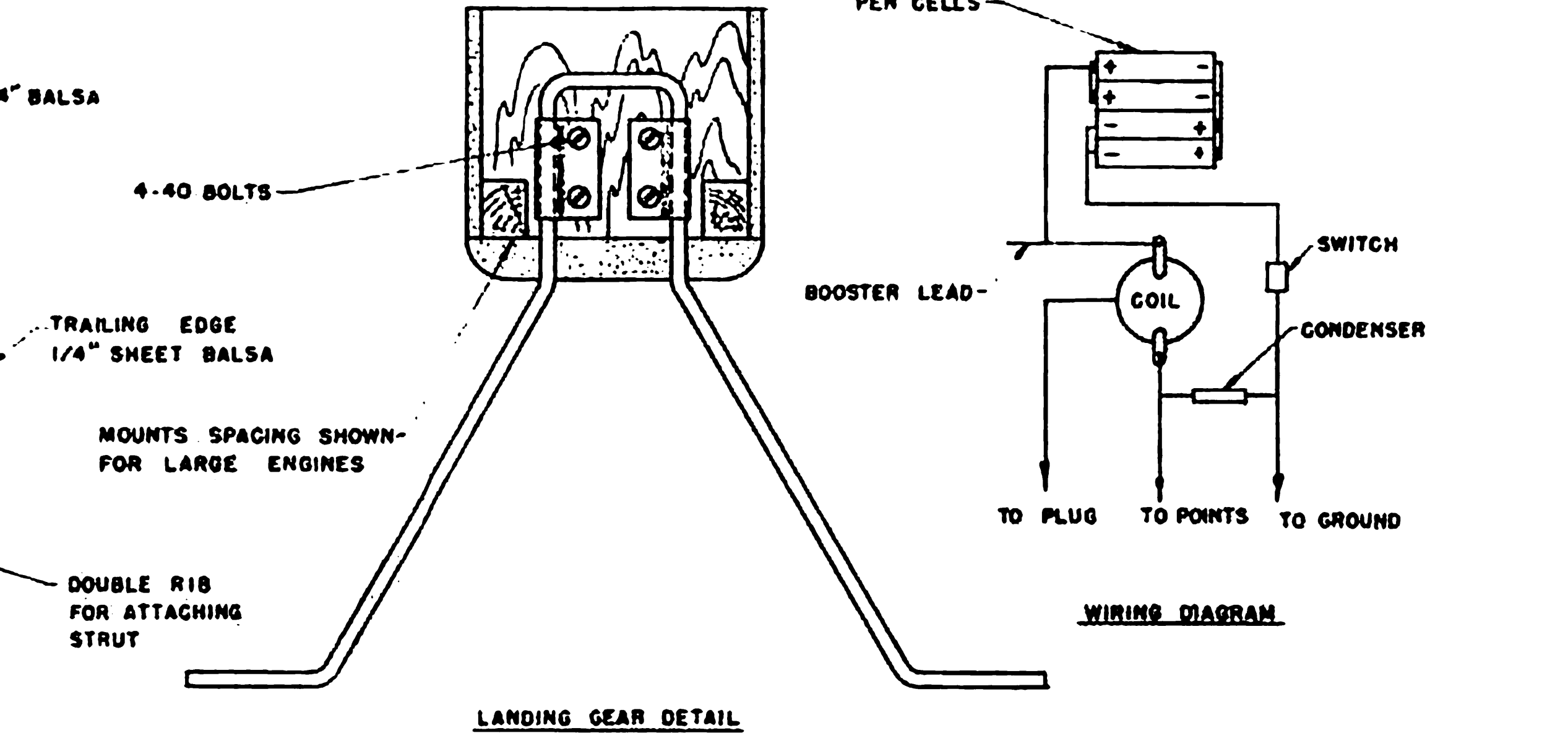
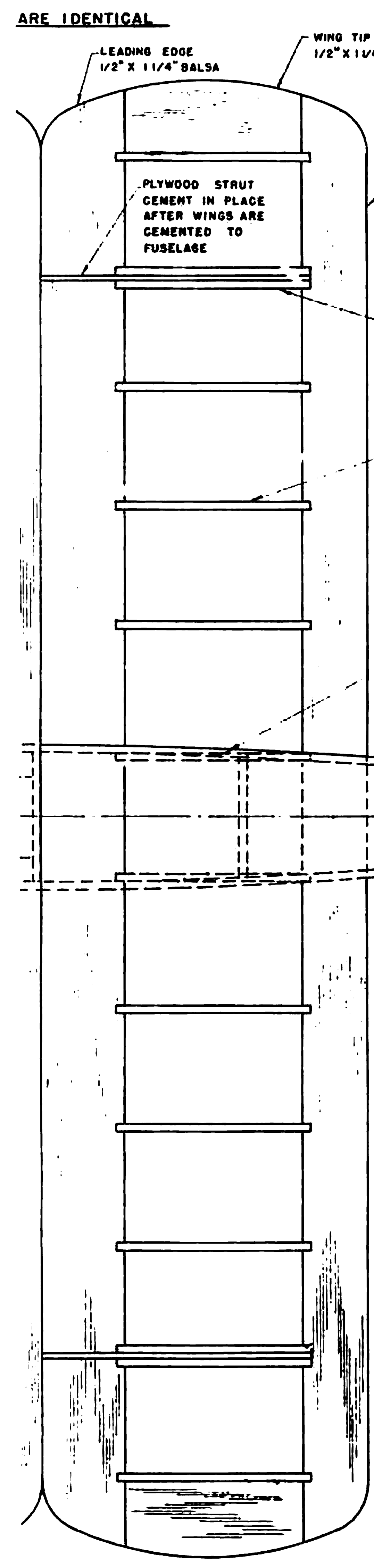
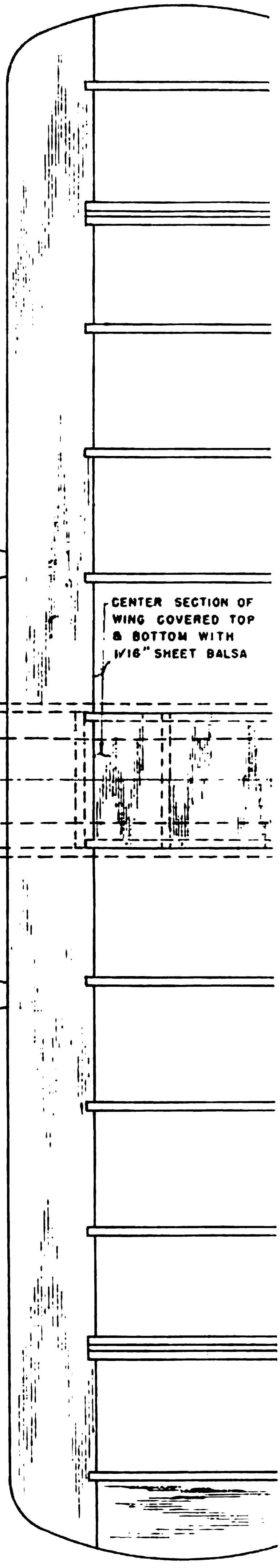


FOR FOLLOWING ENGINES USE LARGER BULKHEADS BROWN CYCLONE ATWOOD ROCKET OK	FOR FOLLOWING ENGINES USE SMALL BULKHEADS TIGER FORSTER VIVIEL GANNON DELONG "30"
--	--

NOTE: BOTH

ARE IDENTICAL



<b>THE BIPE</b>	
DESIGNED BY H. de BOLT	DRAWN BY A. B. MILLETT
WING SPAN 22 1/2 INS.	HIGH SPEEDS
WING AREA 200 SQ. INS.	FOSTER "29" 74 M.P.H.
FUSELAGE 25 INS.	TIGER AERO 85 M.P.H.
WEIGHT 32 OZ.	HORNET 102 M.P.H.
A PRODUCT OF <b>THE de BOLT MODEL ENGINEERING CO</b> WILLIAMSVILLE NEW YORK.	

**MODEL BUILDER**  
magazine  
Plan No: 7832