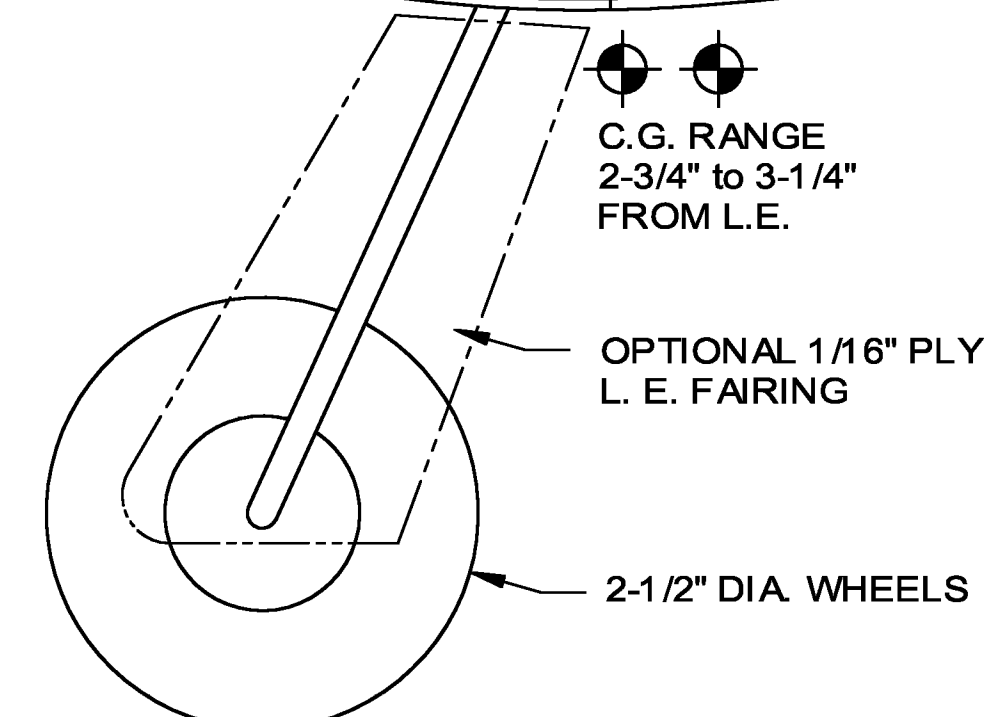
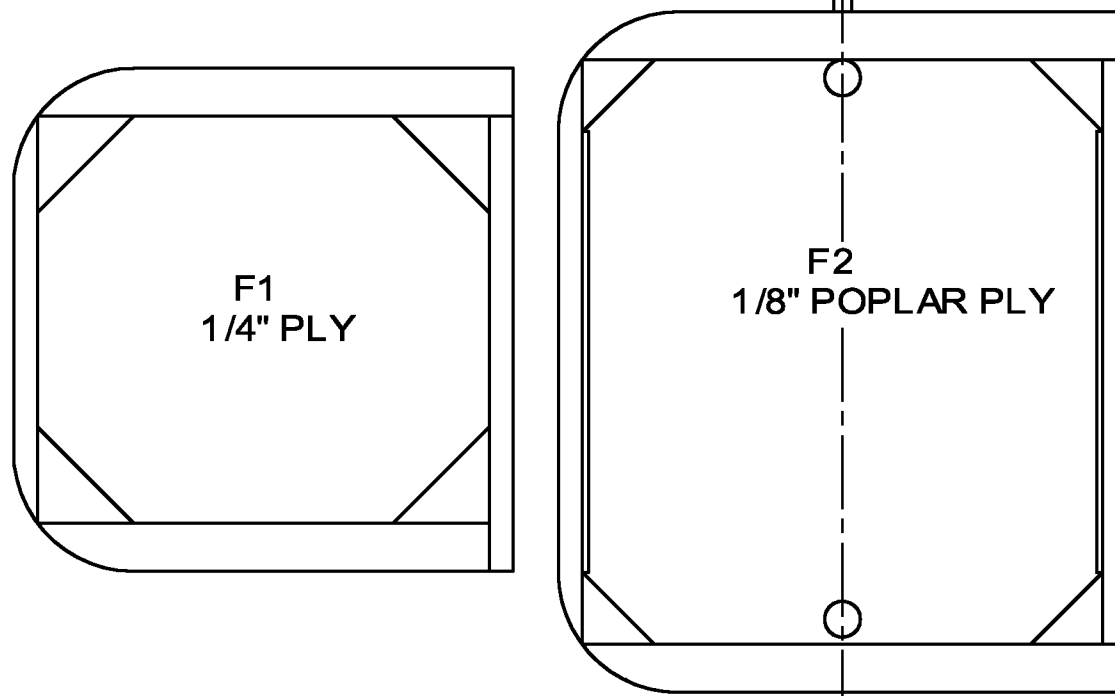
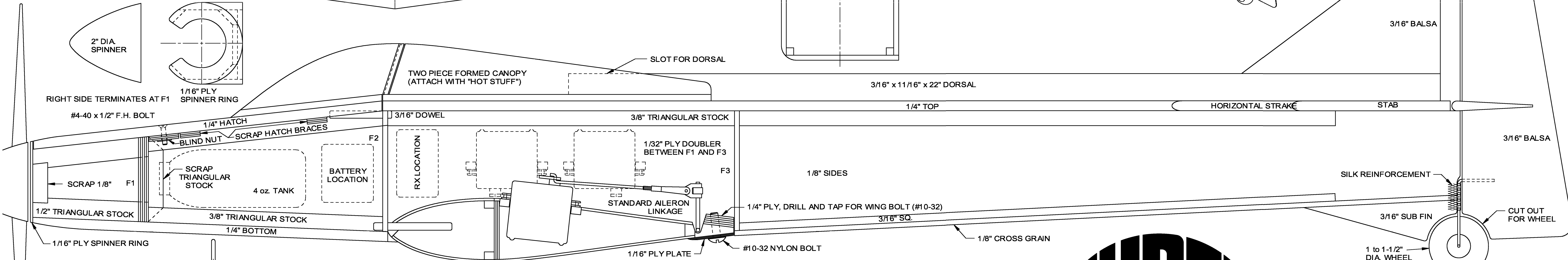
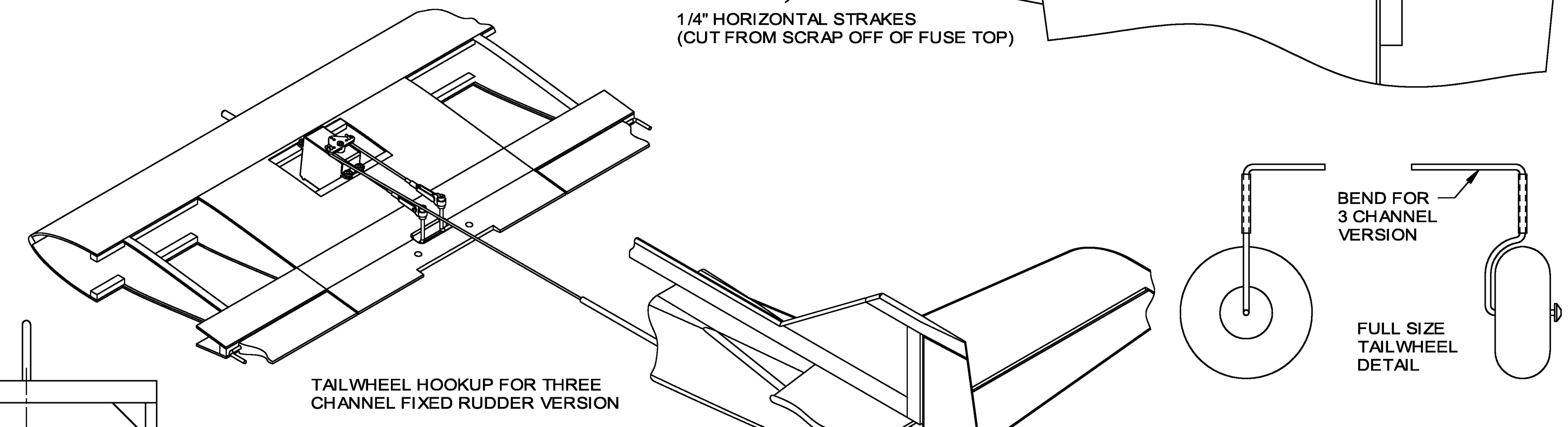
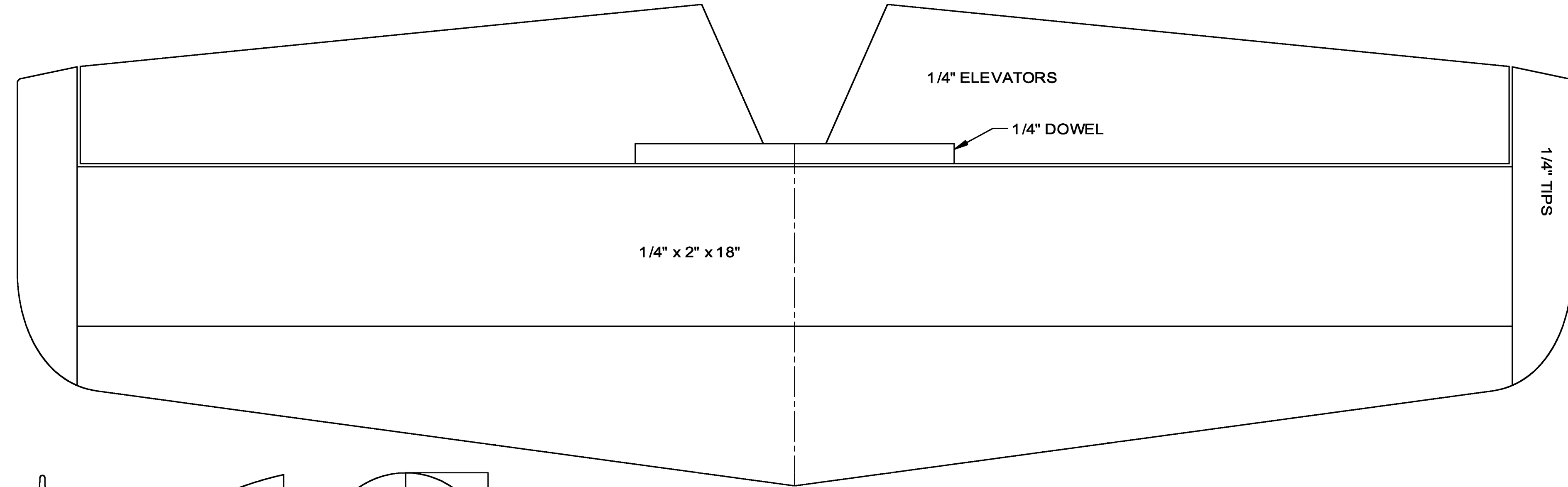
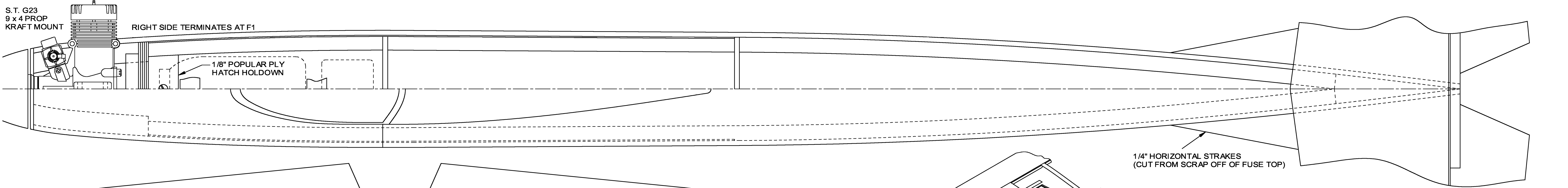


S.T. G23
9 x 4 PROP
KRAFT MOUNT
RIGHT SIDE TERMINATES AT F1

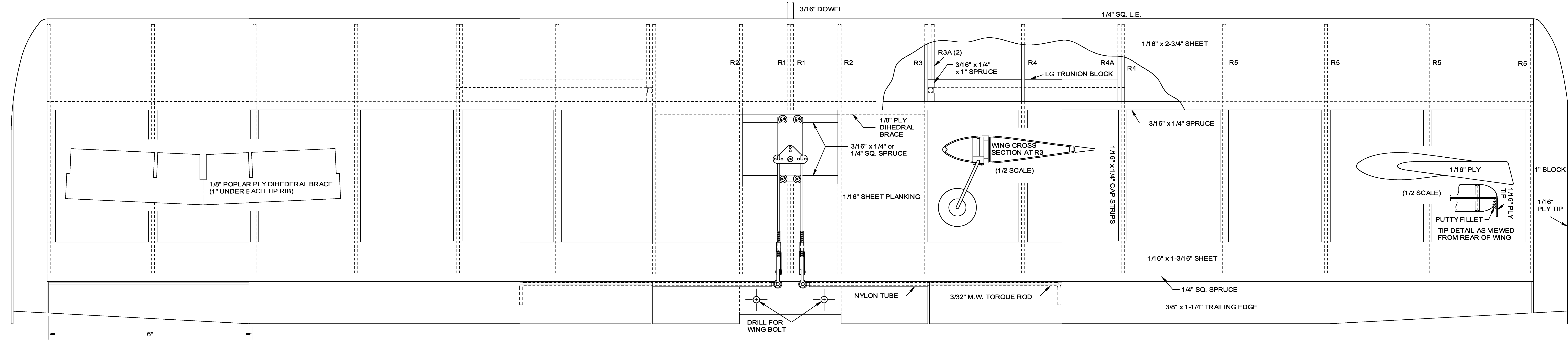


SPAN: 46 in.
AREA: 408 sq. in.
LENGTH: 40 in.
WEIGHT: approx. 3 lbs. all up
FUNCTIONS: 3 or 4 Channels
ENGINE: .23 to .25

SUPER PACER

Designed by
OWEN KAMPEN

1975 BY
ACE R/C Inc.
BOX 511, 116 W. 19TH ST. HIGGINSVILLE, MO, 64037



ALL RIBS 3/32" Balsa

R1 (2)

R2 (2)

R3 (2)

R4 (4)

R5 (8)

R3A (4)

R4A (2)

HORIZONTAL STRAKES
1/4" Balsa
(2 REQ'D)

1/16" PLY

