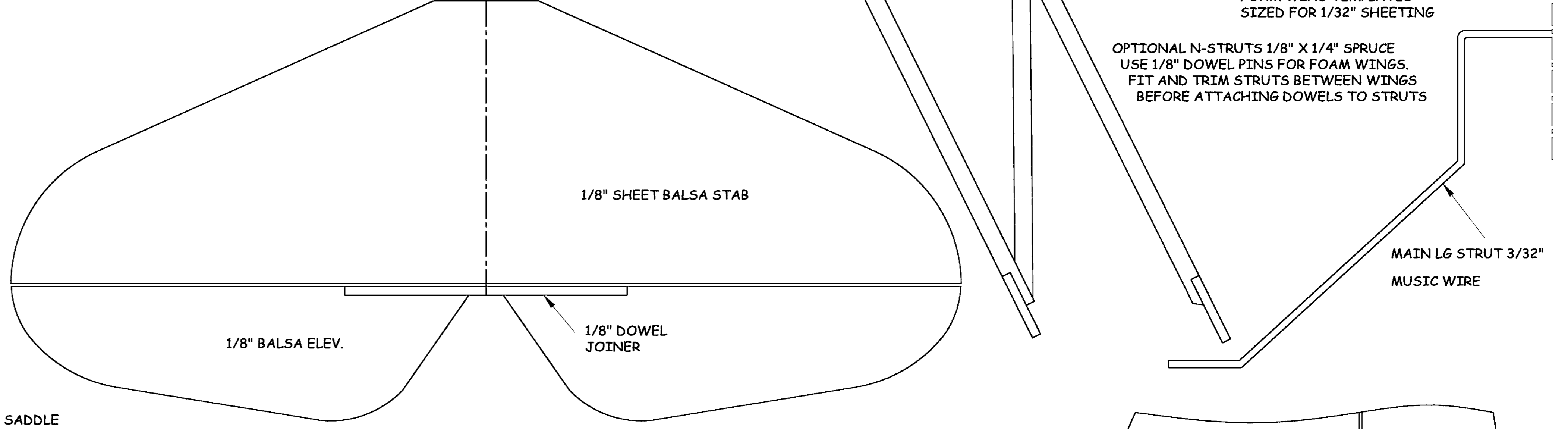
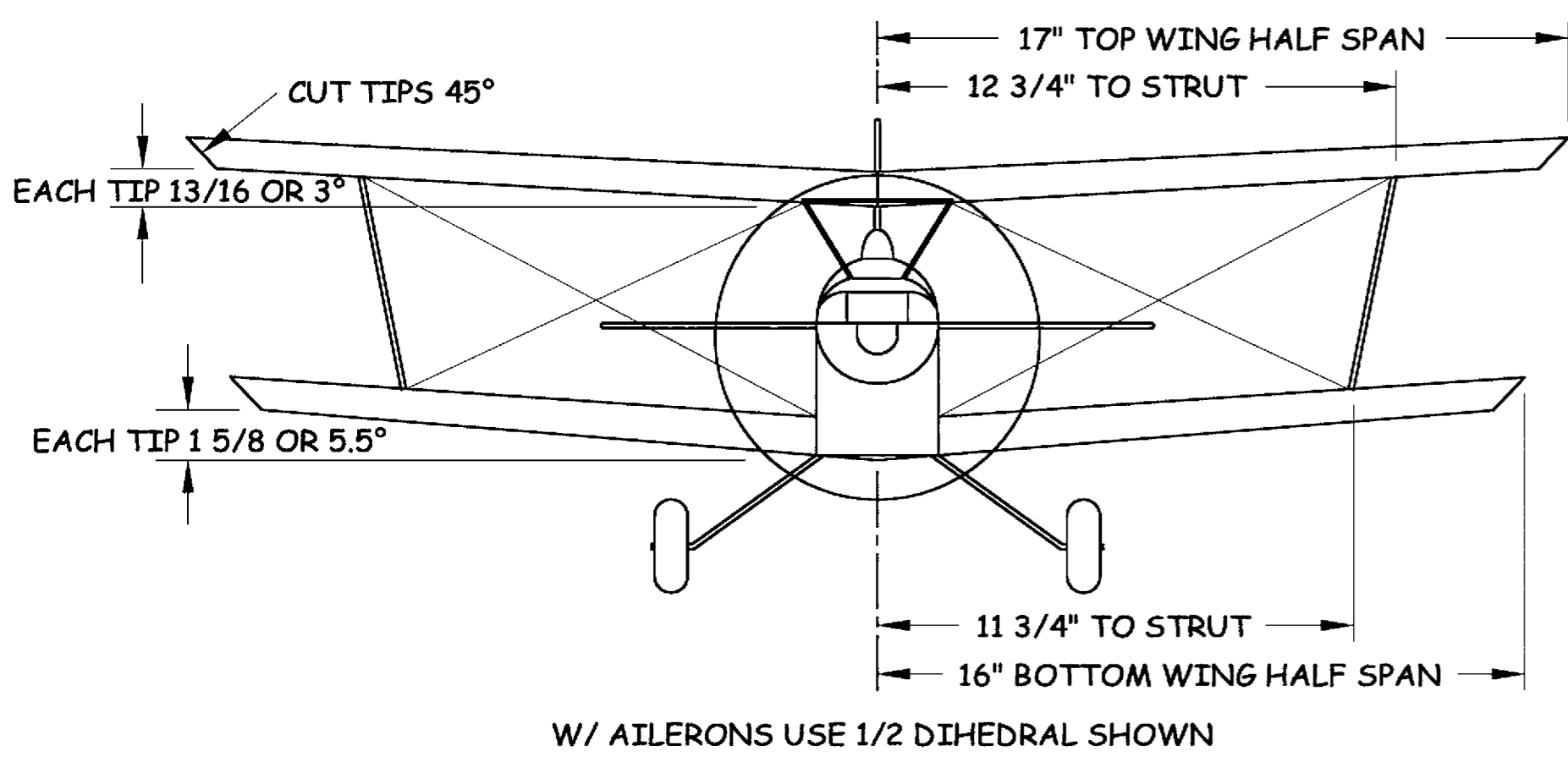
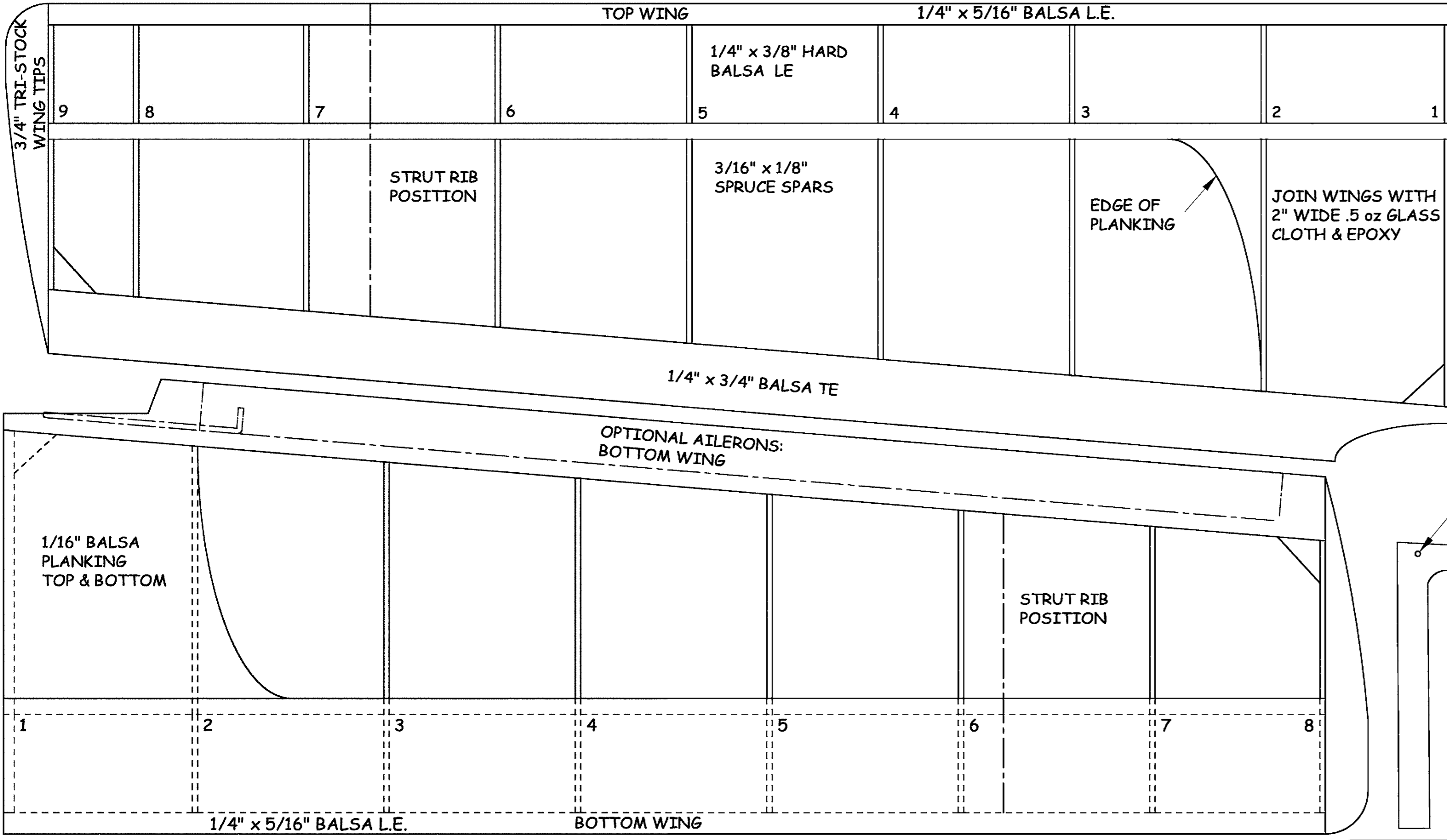
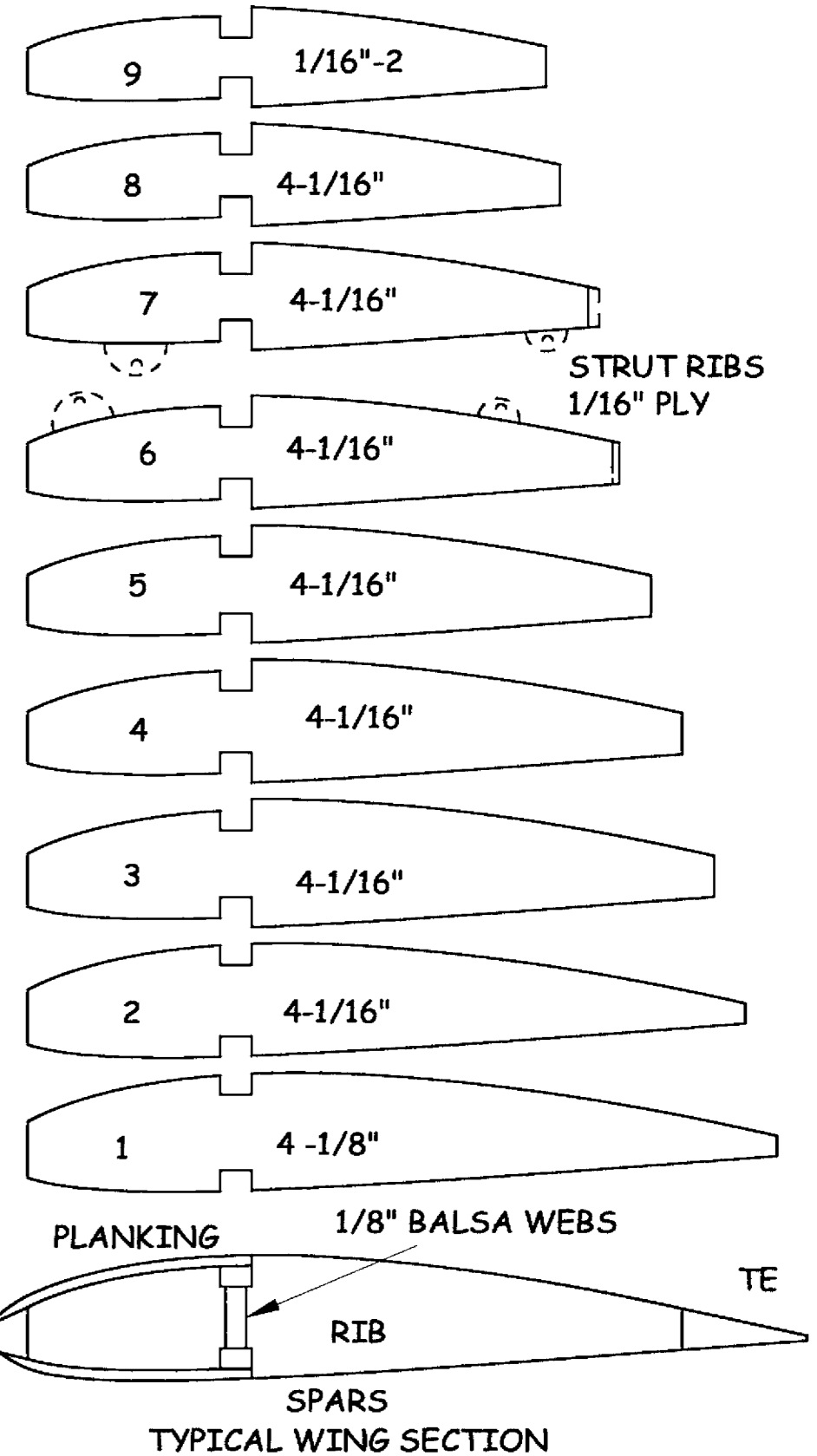


# ALL-STAR BIPLANE

SPECS:  
 WING SPAN: 34" TOP, 32" BOTTOM  
 AREA: 320 SQ." TOTAL  
 WEIGHT: 26 - 36 oz  
 POWER: .10 - .19 ci  
 CONTROL: RUDDER ONLY TO 4 CHANNEL  
 DESIGNED BY ROMÉY BUCKOLT, 1972  
 KITTED BY ACE R/C TO APPROX. 1990  
 CAD BY DAVE FRITZKE, 2006

NOTES ON HATCH CONSTRUCTION:  
 1. CUT Balsa BLOCK TO SIZE 3" x 9"-3/4" TO 1-1/4"  
 2. SAW CABANE STRUT SLOTS PER TOP AND END VIEWS  
 3. DRILL A 1/4" HOLE FOR DOWEL 3/4" DEEP  
 4. ASSURE A GOOD FIT OF HATCH BLOCK TO TOP OF FUSE  
 5. INSERT DOWEL & PLACE F3 ON END OF BLOCK  
 6. CEMENT F3 TO FUSE SIDES USING HATCH BLOCK TO LOCATE  
 7. INSTALL COCKPIT COAMING, THEN CARVE BLOCK TO  
 SHAPE & BLEND WITH COCKPIT AREA  
 8. NOW INSTALL CABANE STRUTS FLUSH WITH  
 BOTTOM & BACK OF BLOCK



BUILT-UP AND FINISHED VIEWS OF COWL FACE

