

12

11

10

9

8

7

6

5

4

3

2

1

H

H

G

G

F

F

E

E

D

D

C

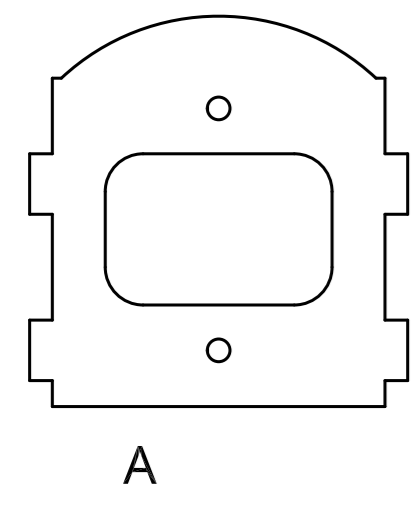
C

B

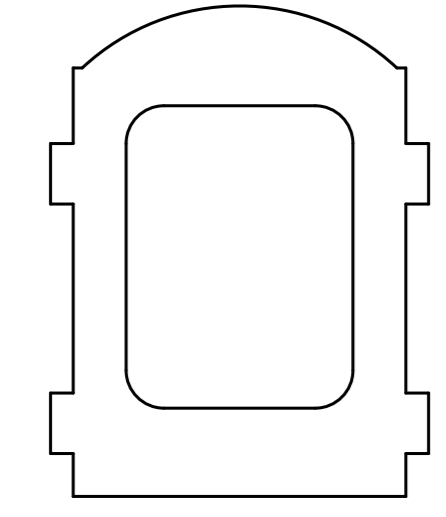
B

A

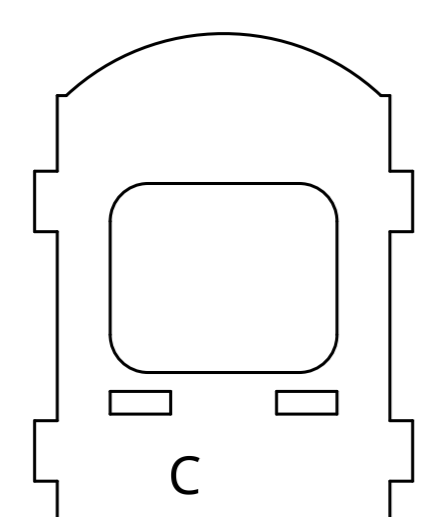
A



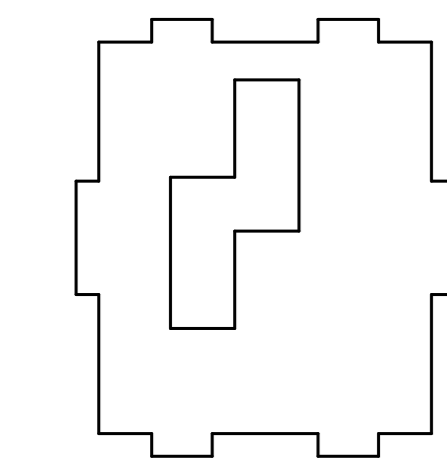
A



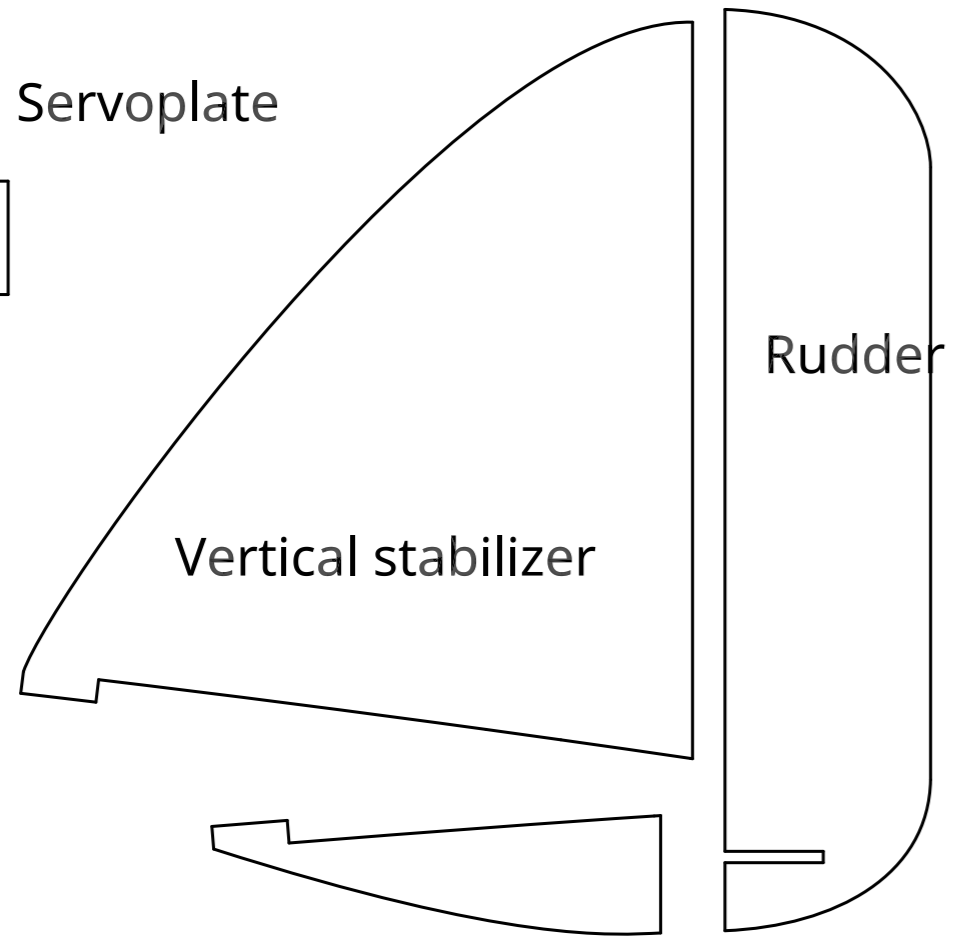
B



C



D

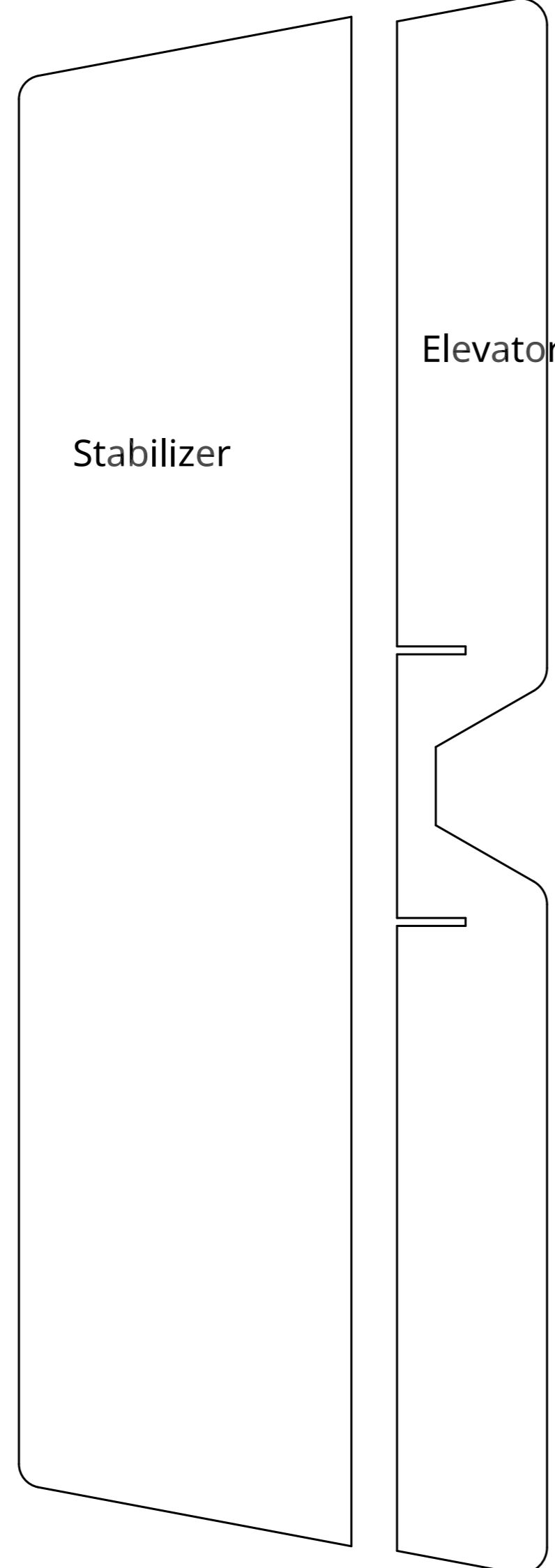


Servoplate

Vertical stabilizer

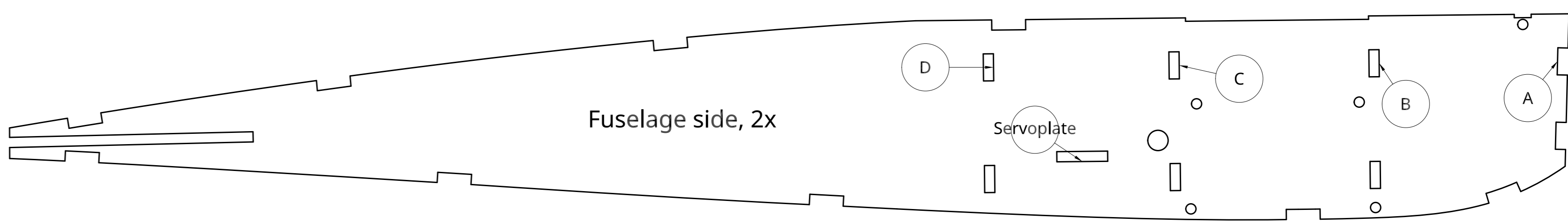
Rudder

Skid/fin



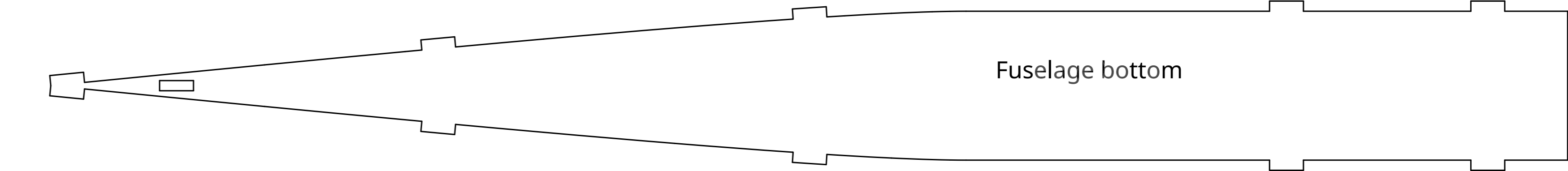
Stabilizer

Elevator

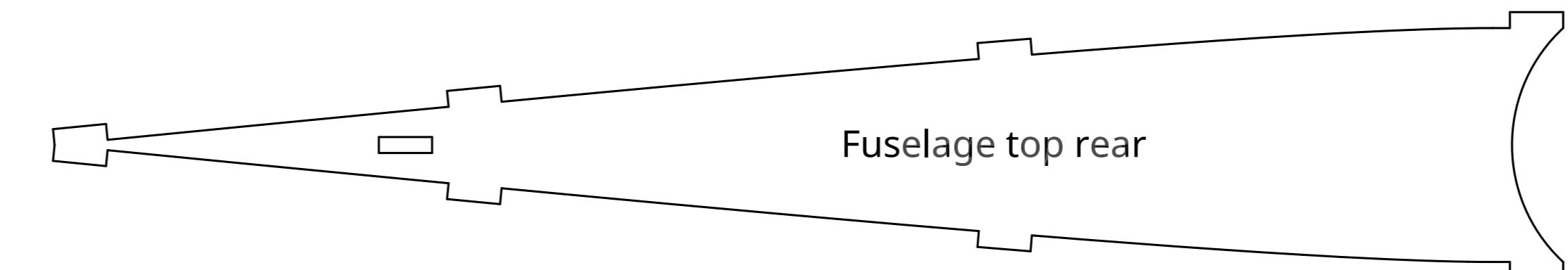


Fuselage side, 2x

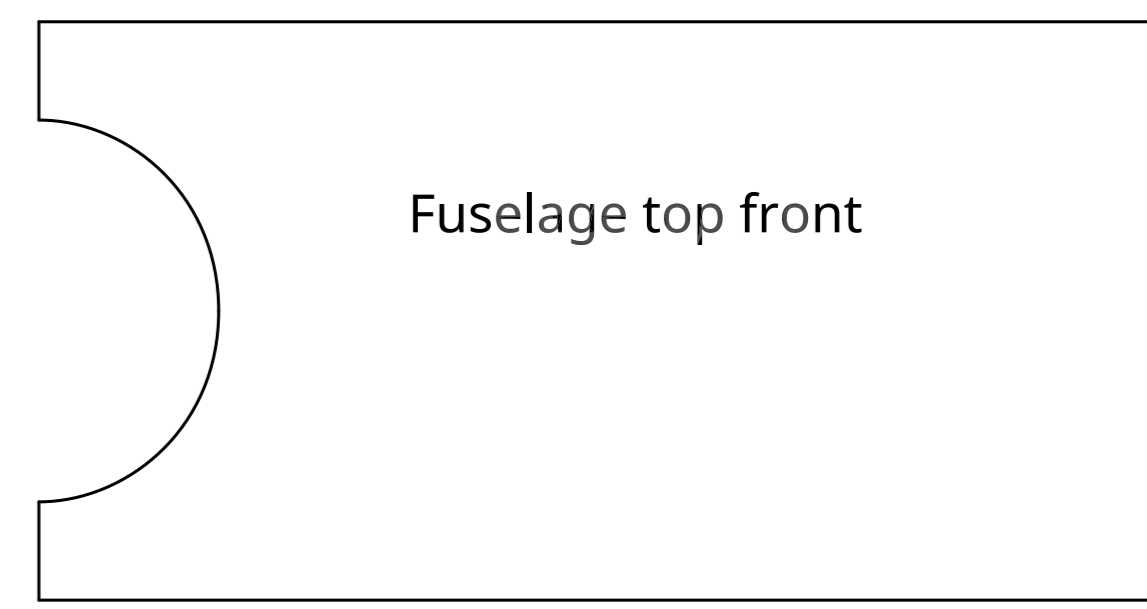
Servoplate



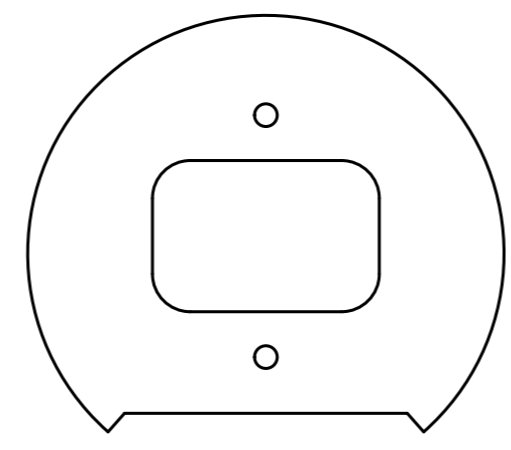
Fuselage bottom



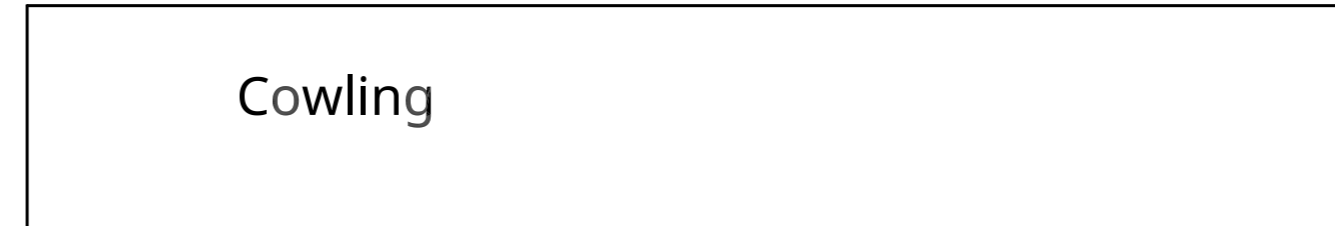
Fuselage top rear



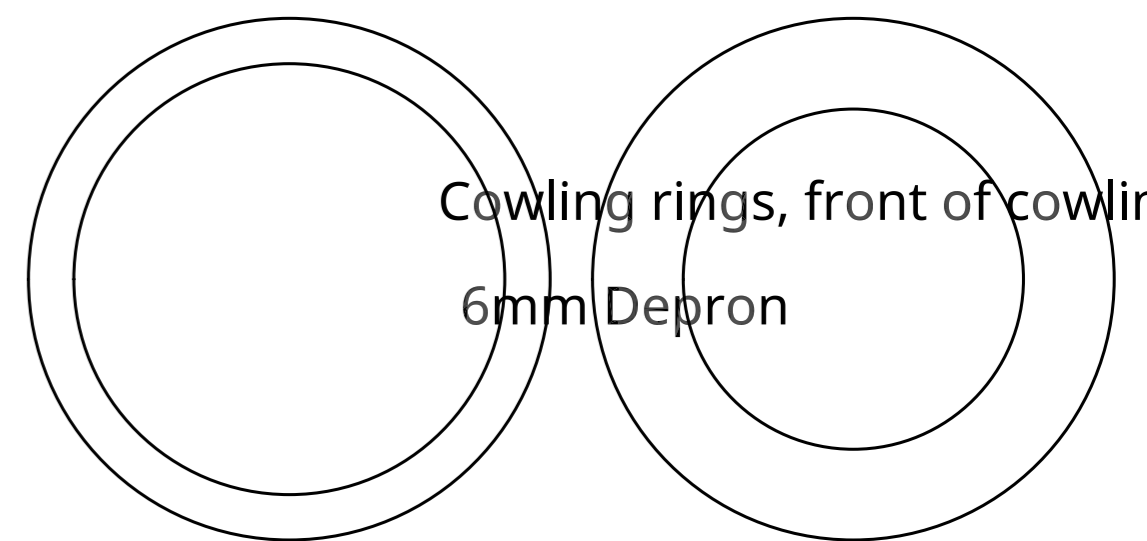
Fuselage top front



Cowling rear

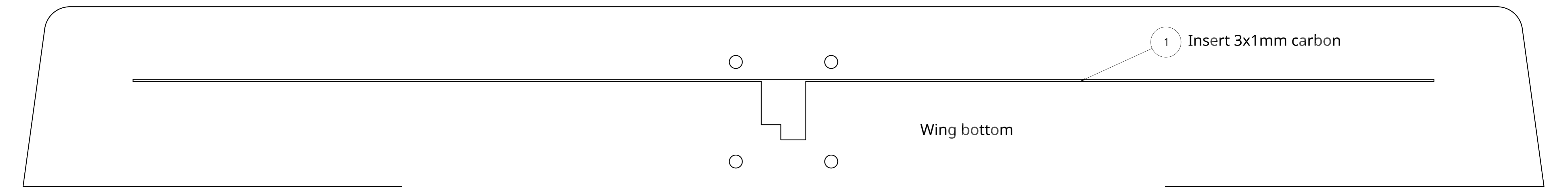


Cowling



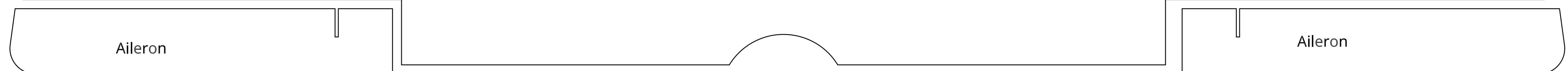
Cowling rings, front of cowling

6mm Depron



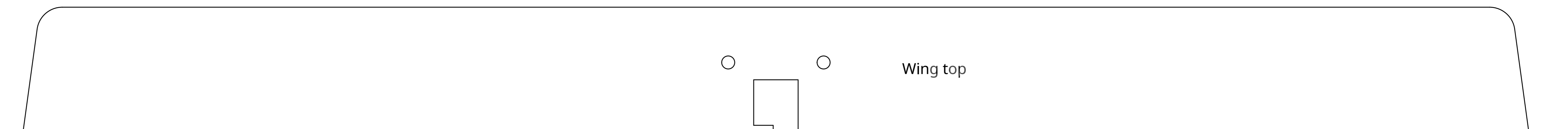
Wing bottom

1 Insert 3x1mm carbon



Aileron

Aileron



Wing top

UNLESS OTHERWISE SPECIFIED, DIMENSIONS ARE IN MILLIMETERS		NAME	SIGNATURE	DATE	<b>TITLE</b> <b>The Duke Depron</b> 3mm depron unless otherwise stated
DRAWN	ANGULAR = ± °	Andries Michelen		2017-11-27	
CHECKED	SURFACE FINISH				
APPROVED	DO NOT SCALE DRAWING				
BREAK ALL SHARP EDGES AND REMOVE BURRS		MATERIAL		FINISH	SIZE <b>A1</b> DWG NO. ---- SCALE 1:1 WEIGHT SHEET 1 of 2
FIRST ANGLE PROJECTION					REV. -

12

11

10

9

8

7

6

5

4

3

2

1

12

11

10

9

8

7

6

5

4

3

2

1

H

H

G

G

F

F

E

E

D

D

C

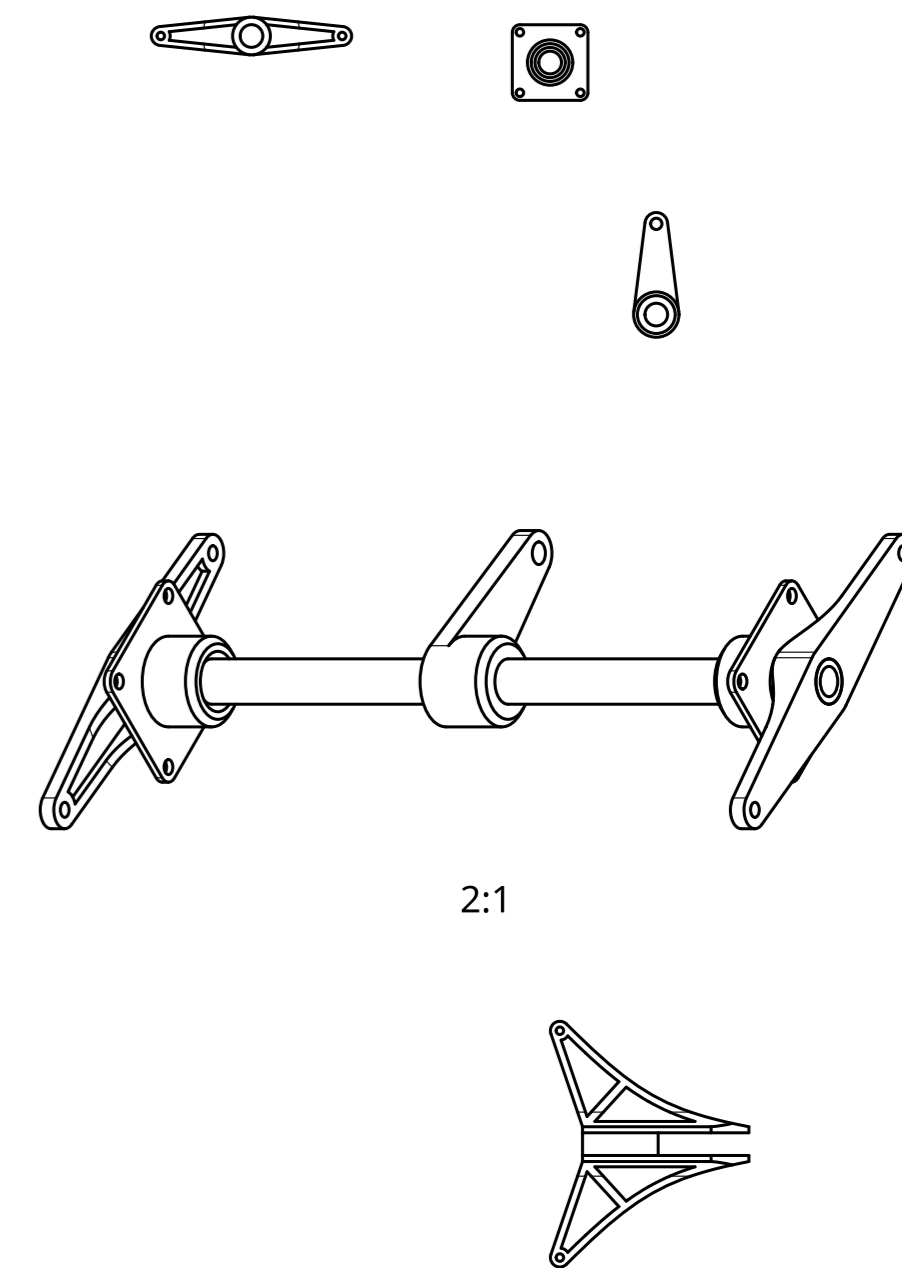
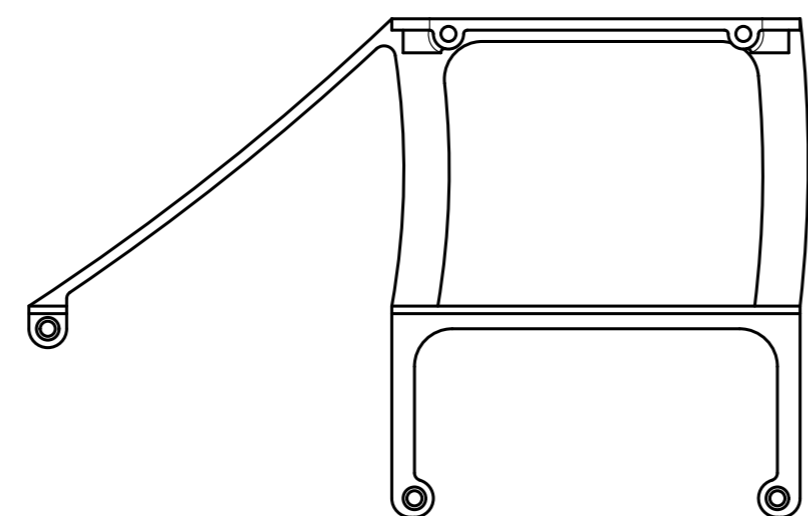
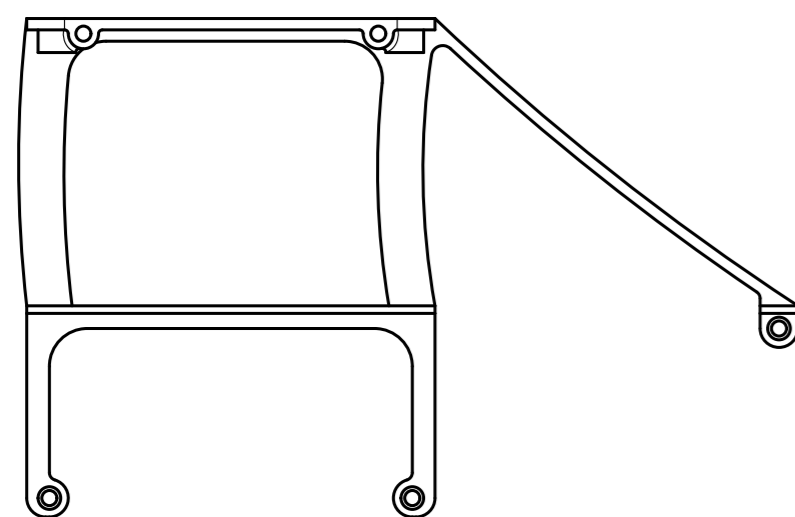
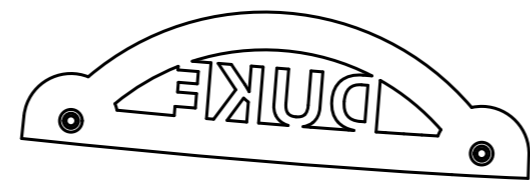
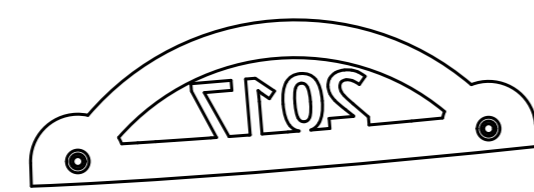
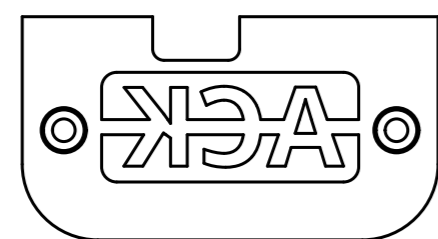
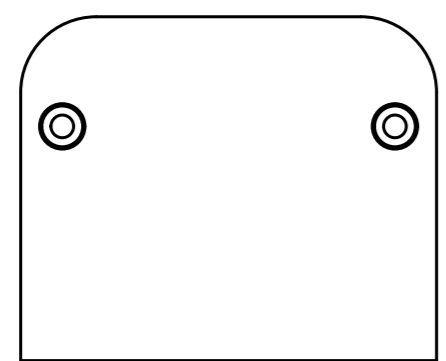
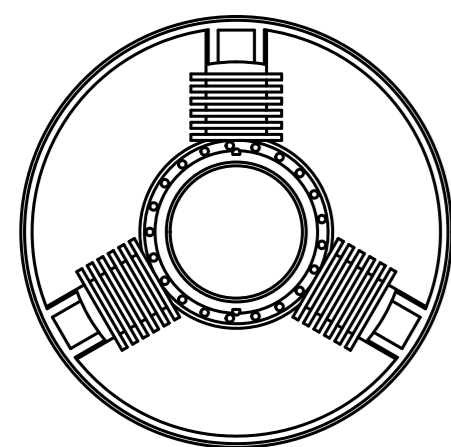
C

B

B

A

A



I have 3D printed all these parts. They can be fabricated out of plywood or carbon/glasfiber sheet aswell. Prepared mounting holes in the fuse sides and wing parts are either 3mm or 6mm in diameter.  
 The elevator control I have made quite fancy, using a torque tube en pull wires. Feel free to use your own method of control.

12

11

10

9

8

7

6

5

4

3

2

1