

This model is relatively easy to build and looks pretty in the air. It does beautiful loops, aileron rolls and knife edge passes.

Specs:

Span: 35"

Flying weight: 570g (with 2200mah lipo and rudder servo)

Motor: 2212-06 (2200kv)

Prop: APC 6x4E

ESC: 30A+

Lipo: 3S 1800mah or heavier required for balance

Servos: 2x 9g (3 with optional rudder)

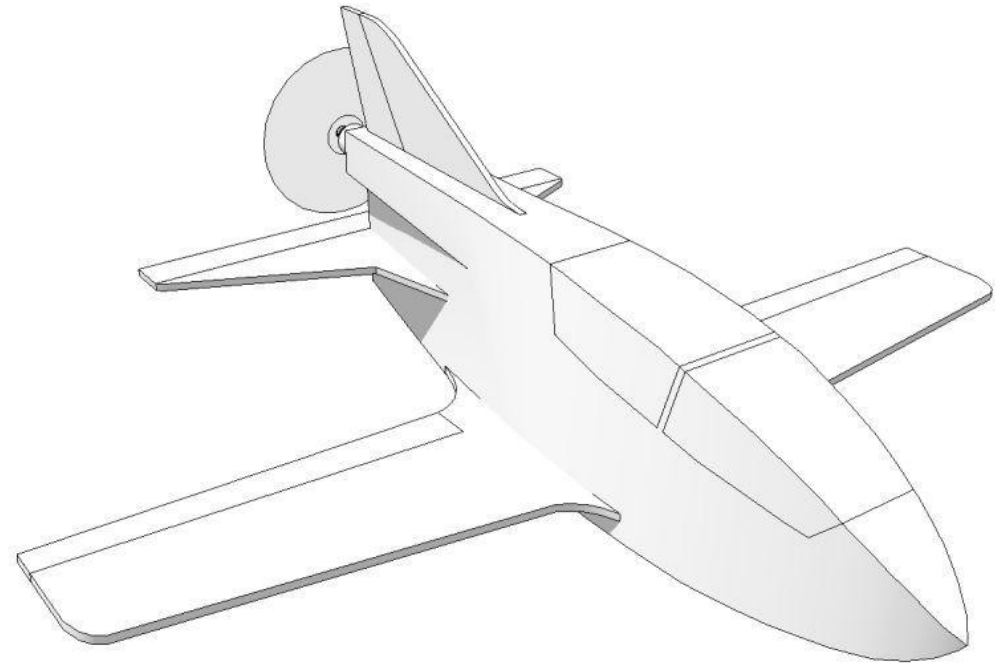
CG position: 1/2" in front of centre of wing spar.

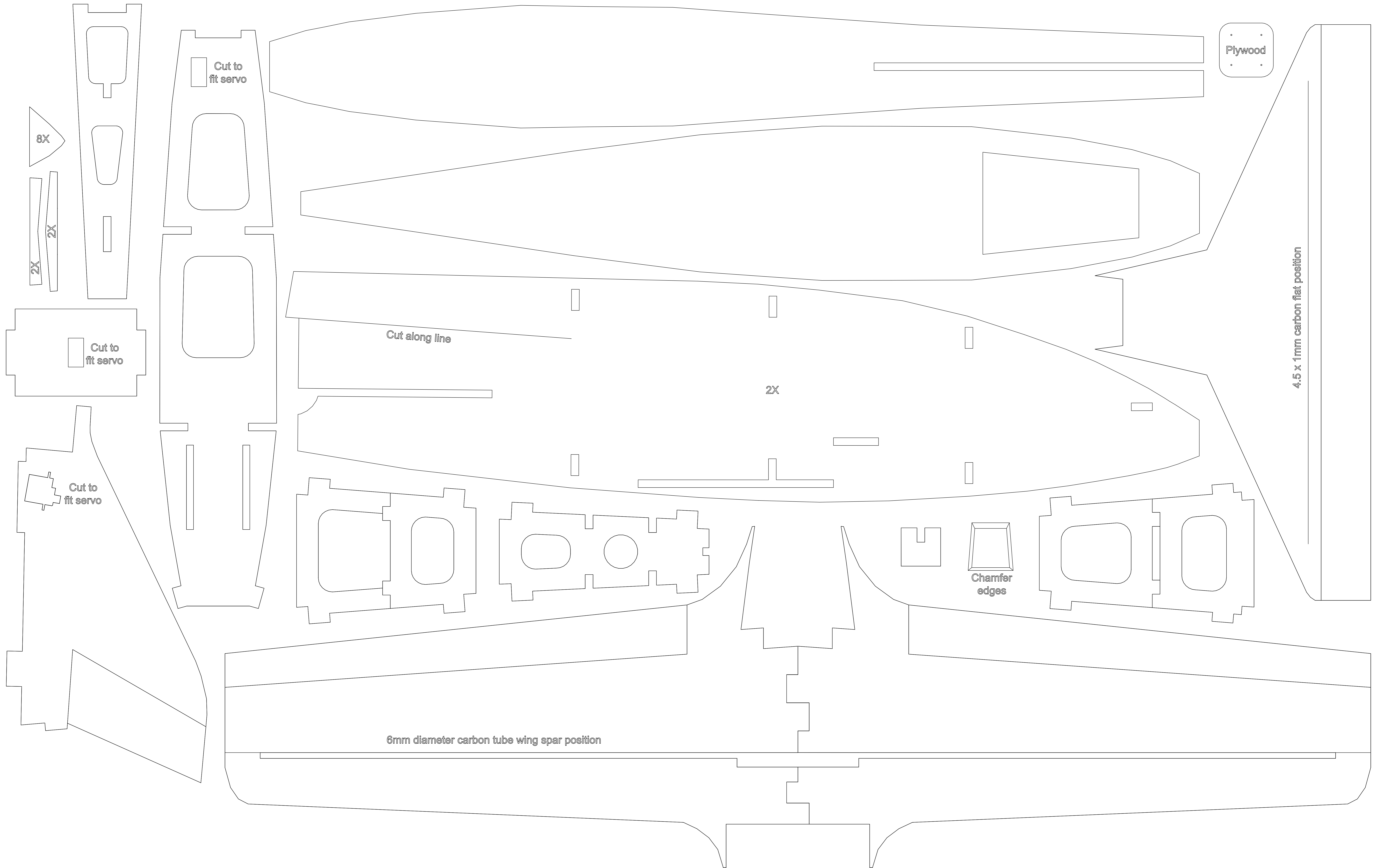
My control throws:

Aileron (measured at inboard corner): 17mm up, 25% expo

Elevator: 21mm up, 17mm down, 40% expo

Rudder (measured at base of fin): 35mm left, 35mm right, 30% expo





Cut to fit servo

8X

2X

2X

Cut to fit servo

Cut to fit servo

Cut along line

2X

Chamfer edges

Plywood

4.5 x 1mm carbon flat position

6mm diameter carbon tube wing spar position

