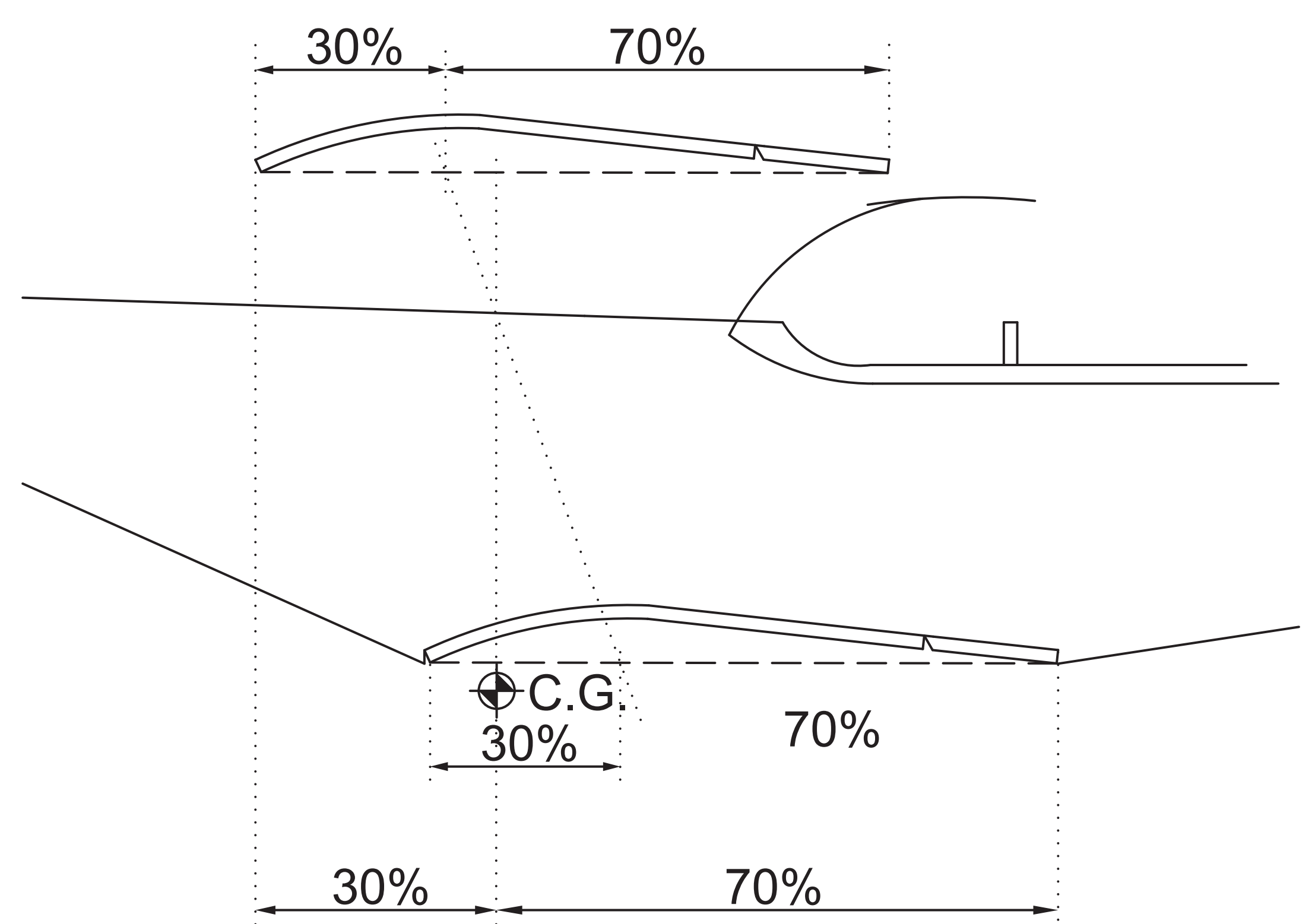
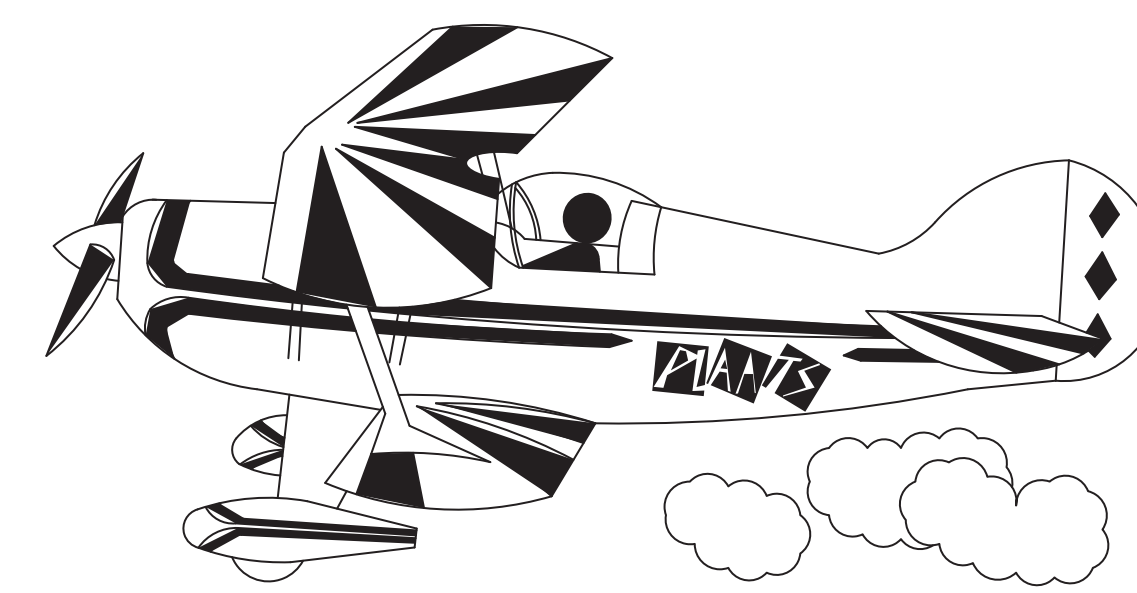


Strengthen the flat 3mm wings by making a cross with 1.5mm carbon rods. Glue them with epoxy and make sure that the don't flutter against each other. This can cause interference with your transmitter



Center of Gravity Bi-plane



	Designer: Olaf van der Plaats Date: 07 march 2004 Scale 1:1 Version V3.0	Semi Pitts Special Wingspan: 600 mm Length: 535 mm Wingarea: 16 dm ² Max. weight: 250-300gr Wingload: 16-19g/dm ²
	Construction	