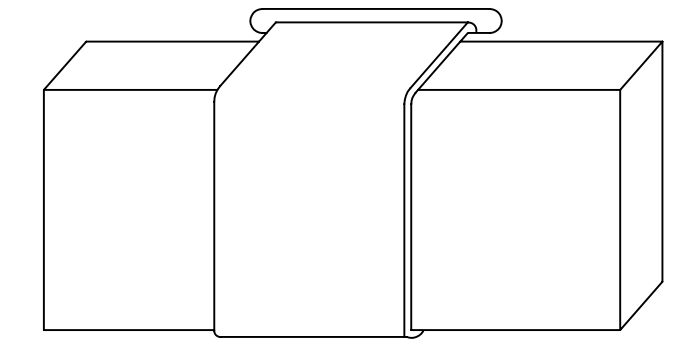


**Notes on the fuse:**

Make sure to use 15-30 minute epoxy for the motor mount...5 min and foam CA are not strong enough, and will crack under the torque. Medium foam safe CA and accelerator are great for the rest of assembly

Mount Battery Pack with 1" Velcro strap. Also use adhesive Velcro on the side of fuselage and back of pack to secure in place.



6mm Depron fuse side rails

**WWW.3DFOAMY.COM**

6mm Depron Fuselage

Elevator Servo

Aileron Servo

Wing Slot

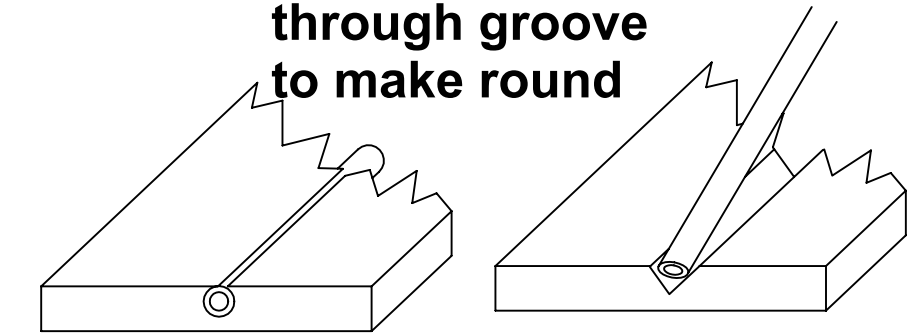
Etec 700-3S LiPo Pack

Rudder Servo (HS-56HB Shown)

Stab Cutout

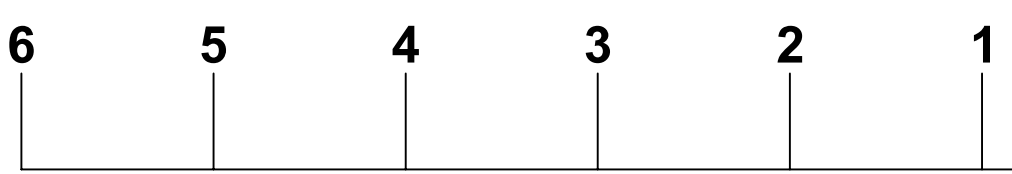
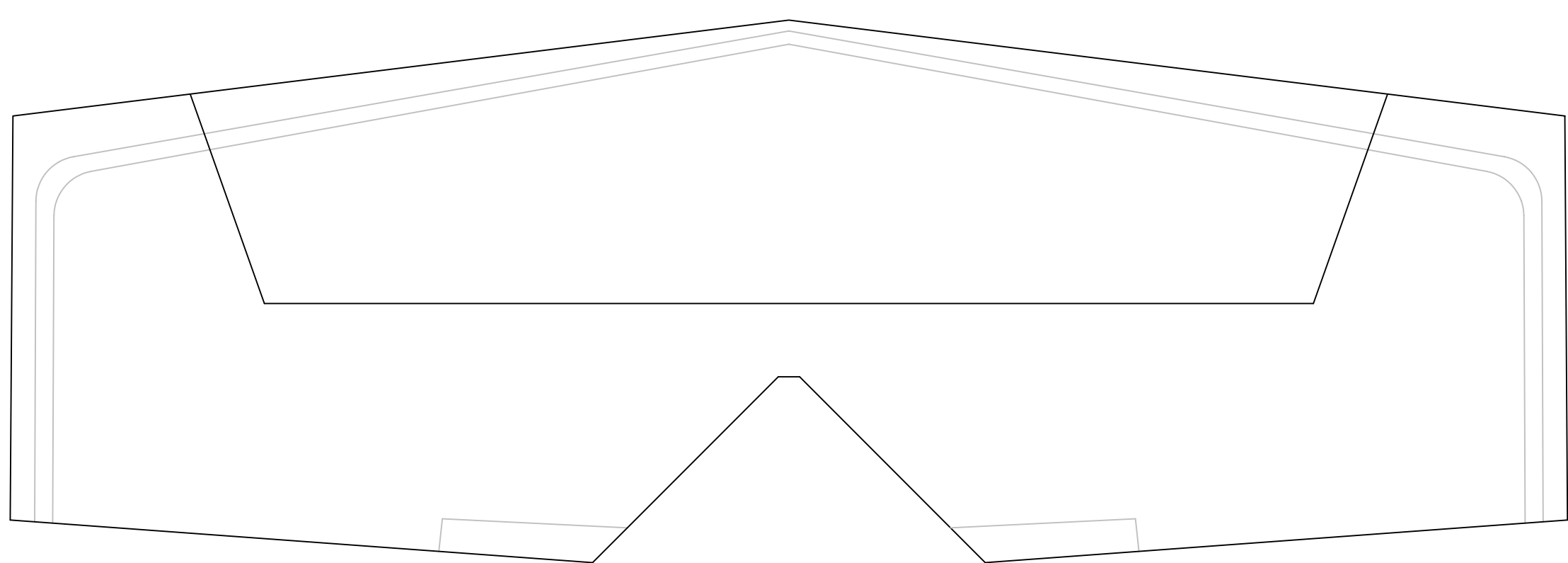
Use 2-56 screw threaded into servo arm to tension pull-pull lines. As you tighten the screw down, it wraps up the line, tightening it.

Cut a "V" groove in foam for spars. Pull spar through groove to make round



All hinging for control surfaces can be packing tape hinges. Use Ca Hinges or robart hinge points for best results.

6mm Depron Wing.



**Motor/ Battery Info**

\* GWS IPS C (8.5:1) with Faigao1208436 brushless motor and 3 cell 700 pack for 13.1 oz of thrust and 11 minute flights!

\* AXI 2204-54 Outrunner and 2 cell 700 pack for 10.1 oz of thrust and 14 minute flights!

<b>Weight</b>	<b>5-6.5 oz.</b>
<b>Thrust</b>	<b>5-24oz.</b>
<b>Radio</b>	<b>4 Chanel</b>
<b>Area</b>	<b>189.4 in2</b>
<b>Loading</b>	<b>4.2-7.2 oz/ft2</b>

**WWW.3DFOAMY.COM**

**Specs: Critical Mass Pyl on Racer**

**3D FOAMY**

Copyright © 2004 3DFoamy.com. All rights reserved. Designed and Drawn by Levi Jordan Updated: 06/24/04.