

TROUBLE SHOOTING CHART

TROUBLE	PROBABLE CAUSE	REMEDY
WILL NOT START — ACTS LIKE BATTERY WASN'T ATTACHED TO GLOW HEAD.	Poor battery connection	Check connections of wires to battery and check to be sure clip is firmly and correctly attached to glow head.
	Weak or dead battery	A good battery should test 1½ volts or connect battery to a glow head that is known to be good. If glow head filament does not glow bright orange — replace battery.
	Burned out glow head	Remove glow head. Attach glow head to a good 1½ volt battery. If filament does not glow bright orange, replace glow head.
	Engine wasn't primed	Squirt a few drops of fuel through exhaust port and onto side of piston then continue with starting procedure.
ENGINE POPS AND/OR "KICKS"—WON'T START	Loose propeller screw	Tighten propeller screw.
	Dirt under reed	Carefully remove reed retainer and remove reed. Wash reed and retainer in fuel. Replace reed. Be sure reed turns freely under retainer.
ENGINE STIFF, PROPELLER TURNS HARD OR "KICKS".	Engine flooded, too much fuel in cylinder	Close needle valve completely. Leave Battery attached and flip propeller (without priming) until short starting "burst" occurs. Then open needle valve 2¼ turns, and start again.
ENGINE STARTS THEN SLOWS DOWN AND STOPS.	Excess fuel at ports	Close needle valve. Flip propeller until engine starts and burns out excess fuel. Open needle valve and restart.
SHORT RUNNING "BURST" (BRIEF START, THEN STOP).	Engine not getting enough fuel (mixture too lean or tank empty)	Check tank fuel level — refill if necessary; or, open needle valve another ½ turn, prime and start again. It may be necessary to repeat this procedure 3 or 4 times, opening the needle valve ½ turn each time.
ROUGH SOUNDING ENGINE, SLUGGISH, WEAK POWER.	Loose glow head	Tighten glow head with wrench.

Use only Cox model fuel—NEVER USE GASOLINE! Gasoline can explode and burn, causing serious injury to YOU AND OTHERS.

Cox model fuel works only because it is **FLAMMABLE**—it burns with an almost invisible flame. It can burn you if not used with common sense—be careful and follow these rules:

- NEVER FUEL OR PRIME WITH BATTERY CONNECTED TO ENGINE.
- WIPE EXCESS FUEL FROM MODEL WITH CLOTH AFTER EACH FUELING OR PRIMING.
- DO NOT OPERATE ENGINE INDOORS.
- DO NOT SMOKE WHEN FUELING OR OPERATING MODEL.

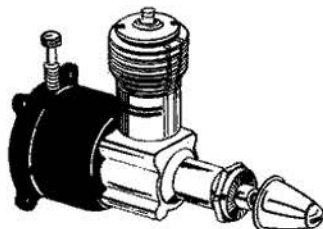
COX HOBBIES, INC.

Customer Service Department
350 W. Rincón St.
Corona, CA 91720
Open 8:00 AM until 4:30 PM Pacific
714/278-1282



CAT. NO. 4506

TEXACO*049
CARE AND OPERATION



Cox engineers and the nation's best Texaco competitors teamed up to design an extended duration production engine that provides the optimum combination of fuel economy and power needed to win Texaco competitions.

- A high velocity .062 diameter intake venturi.
- New free flowing reed holder.
- Light weight polymer tankback.
- Center guide drive plate.
- R.P.M.: 9,100 to 9,800 with 7D 3.5P propeller.
- Duration: 5-6 minutes.
- Tank Size: 8CC
- New five lin cool running head

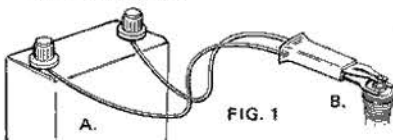
NOTES:

- A. When adjusting engine speed, allow for a short delay between movement of needle valve and change in engine speed.
- B. Using fuel with less than 5% castor oil will void warranty. Always use Cox Super Power Fuel or other high quality fuel.
- C. You will need a 1½ volt battery, a glow head clip, Cox Super Power fuel, and a filler hose to start your engine. These items are all available in the COX 400 or 990 Accessory kits.

PREPARATION FOR RUNNING

1. Mount engine on plane or on a board. Never hold engine in hand or vise.
2. Obtain a 1½ volt Cox dry cell battery or equivalent. Never use a higher voltage battery or the glow head may burn out.

Connect Cox glow head clip wires to battery as shown in Figure 1A.



*Texaco trademarks, colors, symbols, and designs used under license from Texaco Inc.

3. Install propeller on engine shaft. Flat side of propeller should face engine. Tighten propeller screw securely.

CAUTION

A propeller which has been damaged with nicks, chips or cracks, or one which has been altered in any way can break apart during operation of the engine and causing serious injury to you and others.

- Inspect propeller before each use.
- Do not alter, modify or customize your propeller.
- Discard and replace nicked, chipped, cracked or altered products.
- Use only propellers approved for use with your engine.

STARTING ENGINE

1. Close needle valve (turn clockwise). Do not force or overtighten valve. After closing, open valve (turn counterclockwise) 3 turns.
2. Fill fuel tank. Fuel will flow from overflow on top of tank when tank is full. Wipe any excess fuel from engine and tank.
3. Prime engine. Close exhaust ports by rotating crankshaft until piston blocks ports. Squirt several drops of fuel into exhaust ports. Flip propeller over 3 or 4 times to work fuel into engine.
4. Connect glow head clip to glow head. Bottom clip should rest on top of glow head. See Figure 1B.
5. Start engine. Flip the propeller over (counterclockwise). To start the engine, the propeller must be flipped vigorously.

NOTE: If, after a few attempts, the engine does not start, open needle valve another ½ turn, reprime, and repeat starting procedure. If engine still won't start, refer to engine trouble-shooting section.

3. Slowly tighten needle valve (clockwise) until engine is running at top speed. After engine has reached top speed, loosen needle valve approximately ½ turn, or until engine runs with a "crackling," or "burbling" sound. Remove glow head clip and let engine run until fuel tank runs dry.

Restart and repeat procedure until engine has burned a minimum of 3 tanks of fuel.

7. Restart engine. Close needle valve until engine is running at top speed. Remove glow head clip. If engine holds top RPM, it is broken in.
8. If engine is mounted in plane, tip nose of plane up to 45 degree angle. If engine speed changes, readjust needle valve.

ENGINE CARE

Cleaning. Engine may be taken apart for cleaning or replacement of parts. Refer to diagram with "Parts List" for position of engine parts.

Disassemble and clean engine whenever it is

dirty. Wash and oil parts before reassembly. Always disassemble and clean engine after crash or whenever you suspect that dirt may have gotten into parts. Dirt in engine will drastically shorten engine life.

Glow Head. Replace burned out glow head.

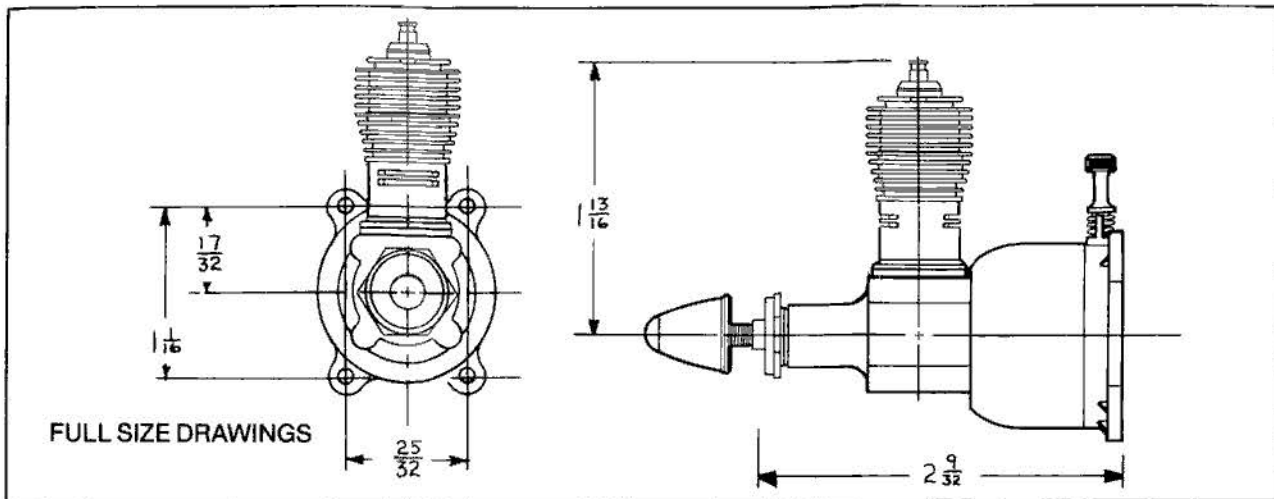
Never attempt to remove hot glow head. A hot glow head will stick, and forced removal may damage cylinder. To cool glow head, pour fuel over head.

Use both wrenches when removing glow head. The top fin on the cylinder has two flats. Insert one wrench over these flats and hold in place while using other wrench to remove the glow head.

When installing glow head make sure it is tight!

Storage. Before storing, run engine until fuel tank is dry. Lubricant in fuel thickens upon exposure to air and may clog parts if allowed to remain in tank.

Oil engine with light oil such as SAE 10, 3-IN-ONE oil, or sewing machine oil, then wrap in plastic bag or clean cloth to protect it from dust and dirt.



WARRANTY

Your Cox engine is fully warranted against factory defect for 90 days from the date of purchase. GLOW HEADS are NOT WARRANTED since they normally require periodic replacement. Should your engine require warranty service, you may contact Cox at the address given on back page.

FACTORY REPAIR SERVICE

Minor repair, examination, or adjustments - \$4.00 plus parts. Complete overhaul, new engine performance guaranteed: \$11.75 These prices include parts.

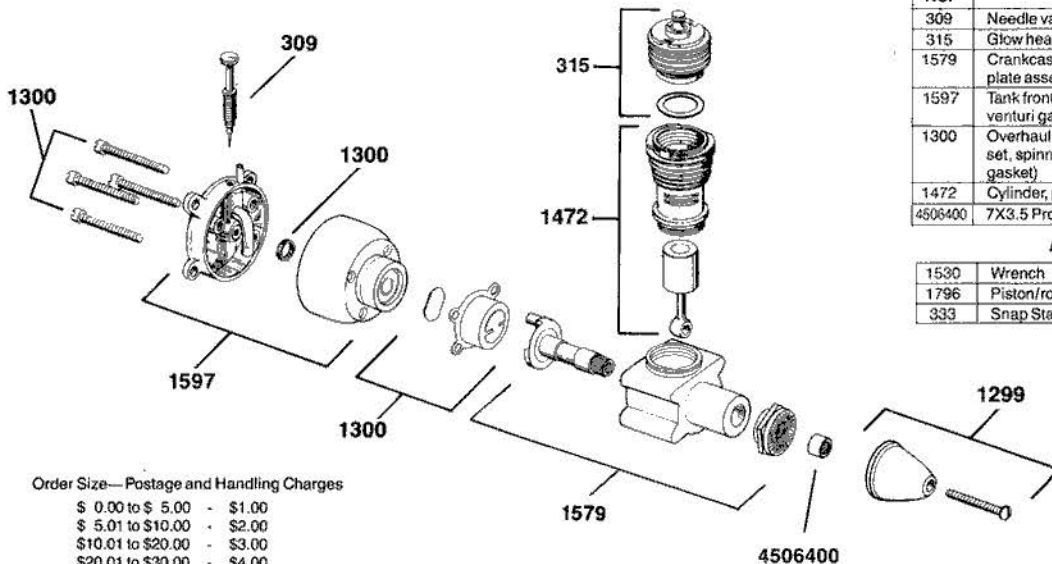
CUSTOMER SERVICE

For any questions or service regarding any Cox products please contact our Customer Service Department at 1-800-451-0339. Customer Service hours are from 8:00 AM to 4:30 PM Pacific Time, Monday through Friday.

REPLACEMENT PARTS

We have listed those items which are most likely to require replacement during the life of this product. We have also included an exploded assembly drawing which identifies all replacement items available.

Ordering Instructions: You may order parts from Cox by telephone or mail. Orders may be charged to your Visa or MasterCard. For a credit card order please give the following information. Name, card number and expiration date. For other orders please send check or money order made payable to Cox Hobbies for the full amount including the following postage and handling charges:



Order Size—Postage and Handling Charges

\$ 0.00 to \$ 5.00	- \$1.00
\$ 5.01 to \$10.00	- \$2.00
\$10.01 to \$20.00	- \$3.00
\$20.01 to \$30.00	- \$4.00
\$30.01 and up	- \$5.00

All international orders \$5.00 additional. Calif. residents only add state sales tax. No C.O.D. orders accepted. Telephone orders by Visa or MasterCard only.

CAT. NO.	DESCRIPTION	PRICE
309	Needle valve & spring	1.35
315	Glow head & gasket	3.50
1579	Crankcase, crankshaft & drive plate assembly	4.45
1597	Tank front & back, tube, spring & venturi gasket	8.90
1300	Overhaul kit (reed, retainer, screw set, spinner, prop screw & venturi gasket)	1.65
1472	Cylinder, piston & rod	6.00
4506400	7X3.5 Prop Center	.75

ACCESSORIES

1530	Wrench	1.10
1796	Piston/rod reset tool & holder	7.50
333	Snap Starter Kit	1.10

PRICE AND DESIGN OF PARTS SUBJECT TO CHANGE WITHOUT NOTICE.

FOR QUESTIONS REGARDING YOUR COX PRODUCTS
CALL THE COX COURTESY LINE TOLL FREE 800/451-0339