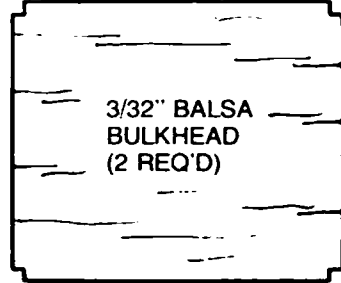


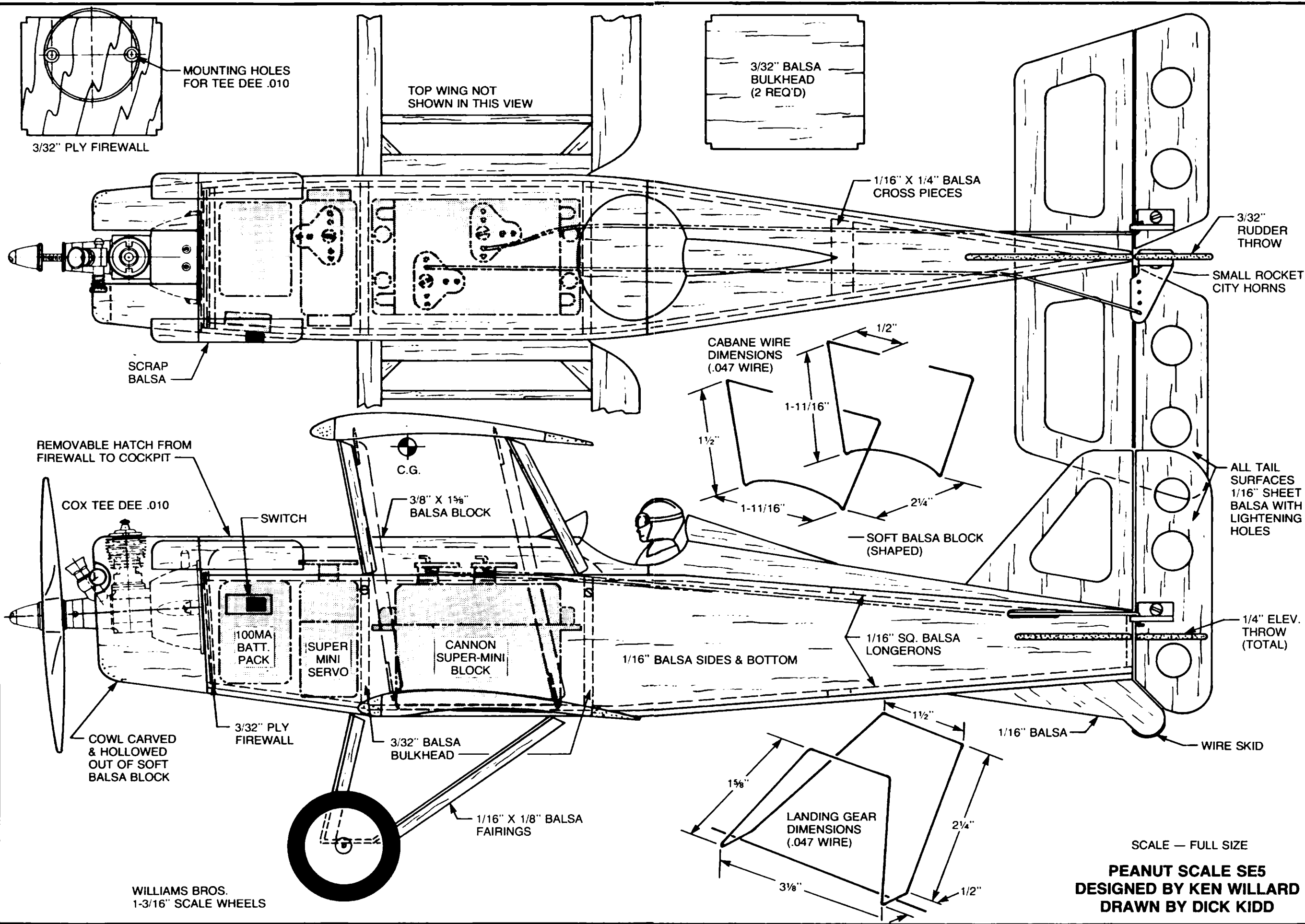
MOUNTING HOLES FOR TEE DEE .010

3/32" PLY FIREWALL

TOP WING NOT SHOWN IN THIS VIEW



3/32" Balsa BULKHEAD (2 REQ'D)



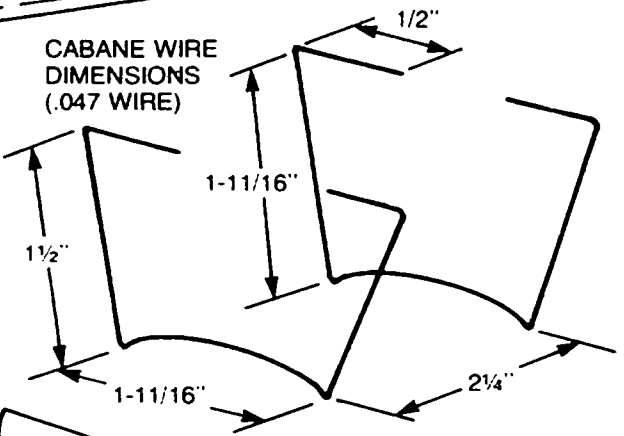
1/16" X 1/4" Balsa CROSS PIECES

3/32" RUDDER THROW

SMALL ROCKET CITY HORNS

SCRAP Balsa

CABANE WIRE DIMENSIONS (.047 WIRE)



ALL TAIL SURFACES 1/16" SHEET Balsa WITH LIGHTENING HOLES

REMOVABLE HATCH FROM FIREWALL TO COCKPIT

C.G.

3/8" X 1 5/8" Balsa BLOCK

SOFT Balsa BLOCK (SHAPED)

COX TEE DEE .010

SWITCH

100MA BATT. PACK

SUPER MINI SERVO

CANNON SUPER-MINI BLOCK

1/16" Balsa SIDES & BOTTOM

1/16" SQ. Balsa LONGERONS

1/4" ELEV. THROW (TOTAL)

COWL CARVED & HOLLOWED OUT OF SOFT Balsa BLOCK

3/32" PLY FIREWALL

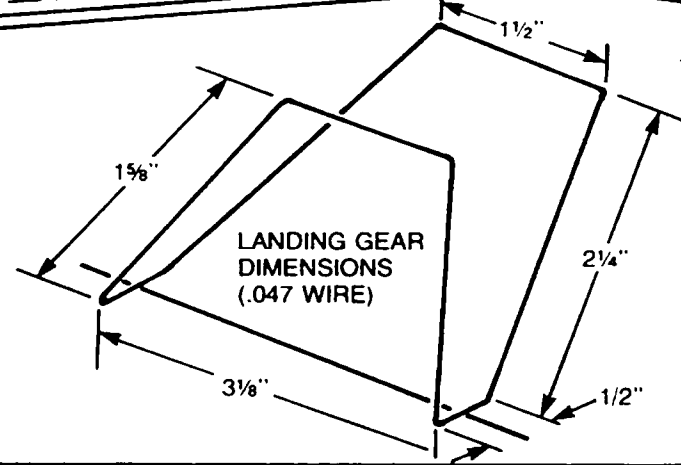
3/32" Balsa BULKHEAD

1/16" Balsa

WIRE SKID

1/16" X 1/8" Balsa FAIRINGS

LANDING GEAR DIMENSIONS (.047 WIRE)



SCALE — FULL SIZE

PEANUT SCALE SE5  
DESIGNED BY KEN WILLARD  
DRAWN BY DICK KIDD

WILLIAMS BROS.  
1-3/16" SCALE WHEELS

