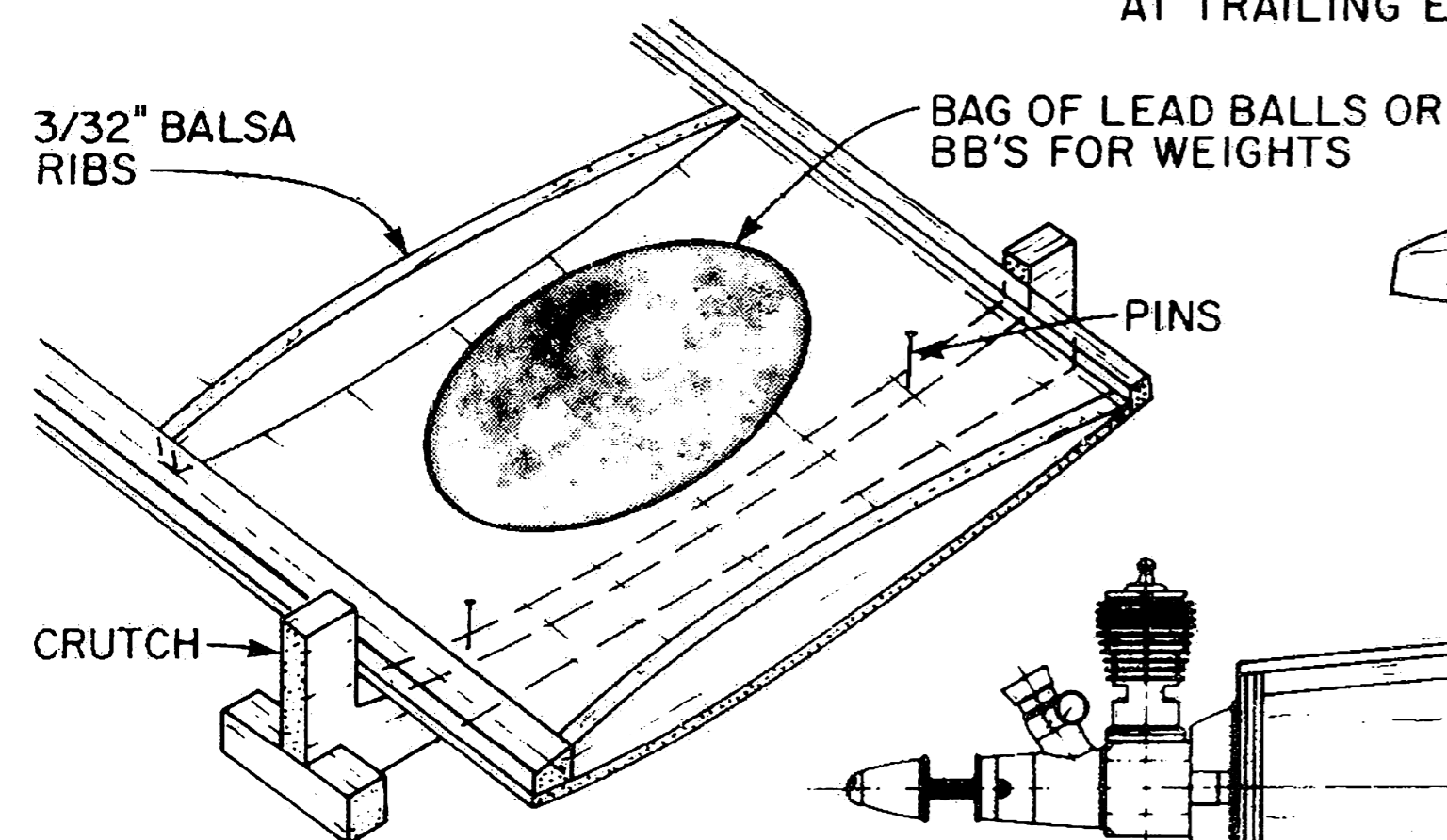
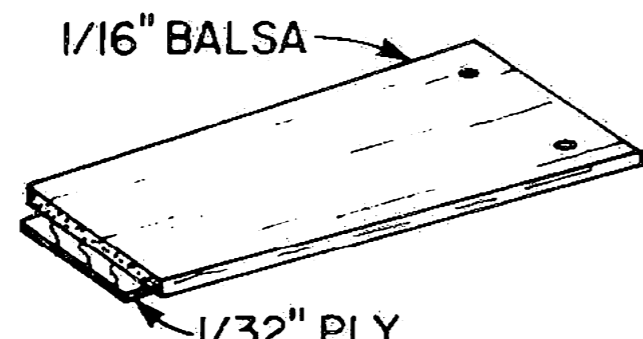
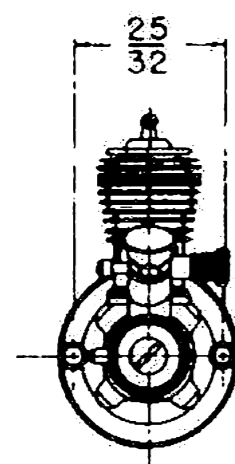


NOTE: EXTEND WING ONE BAY ON EACH TIP FOR INDOOR FLYING

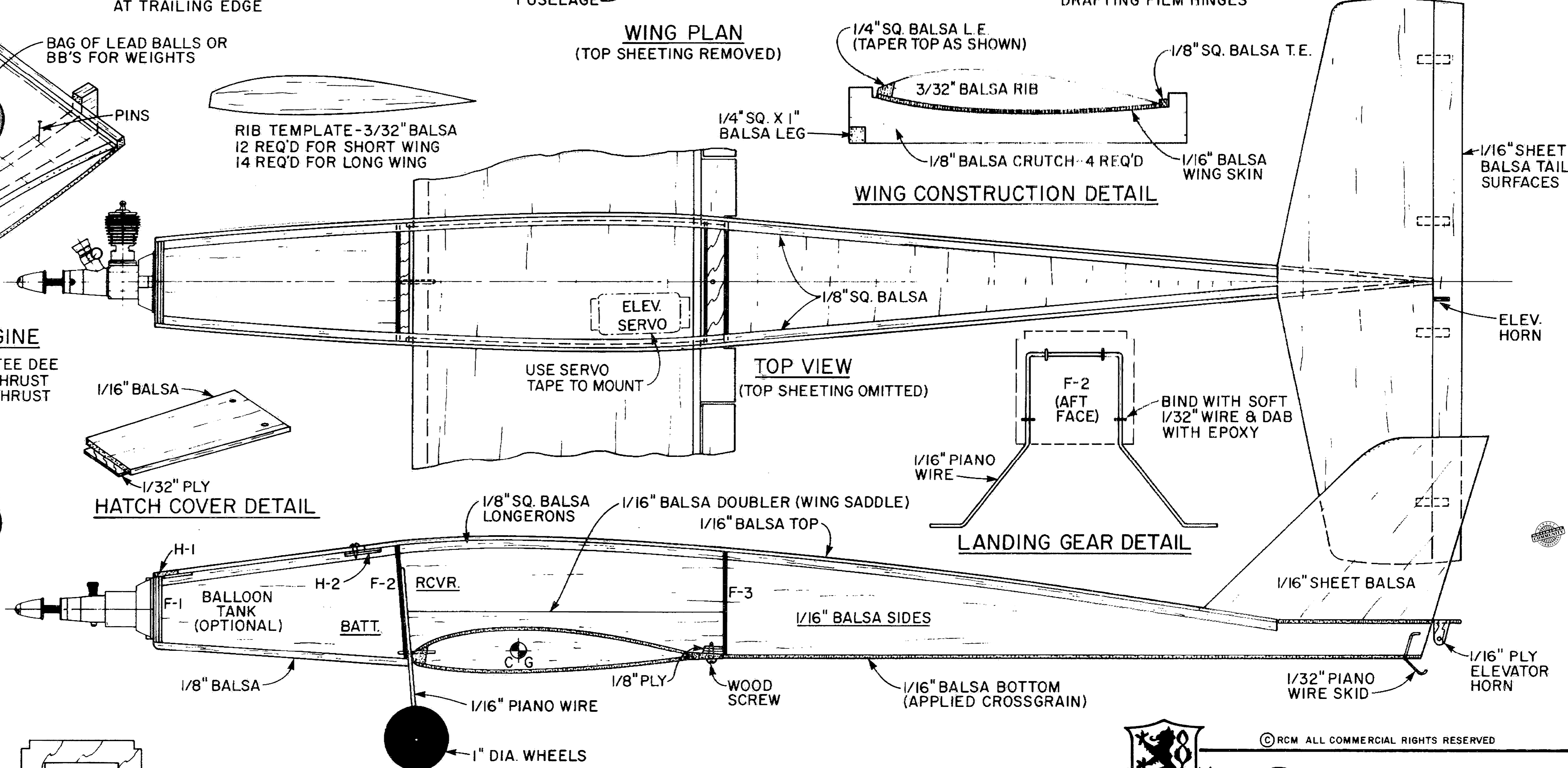
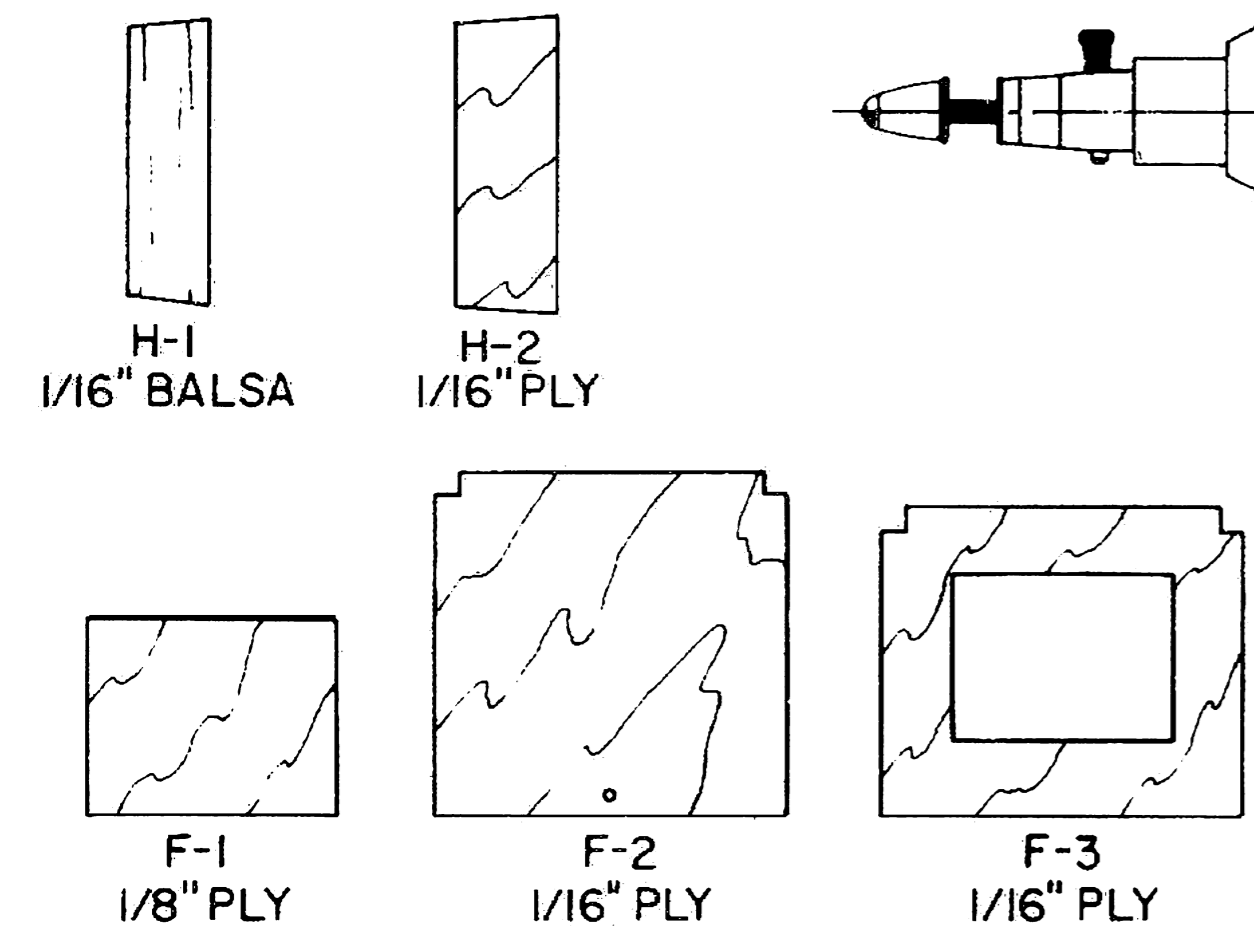


WING CONSTRUCTION DETAIL

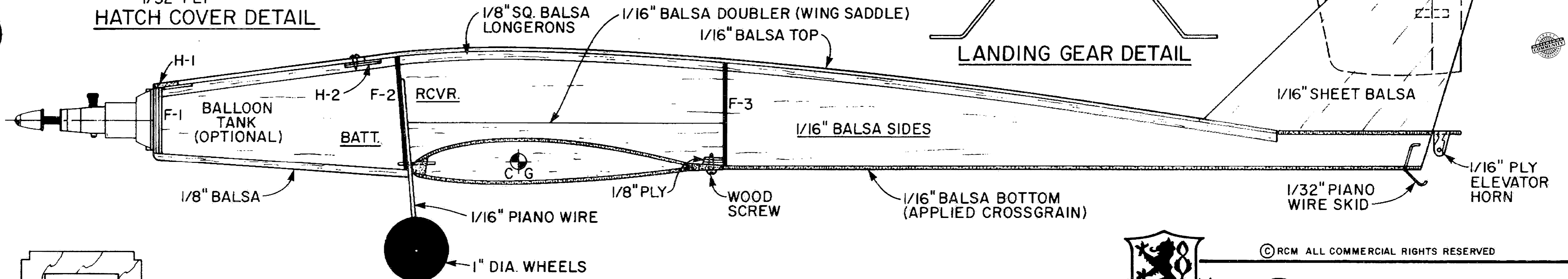
ENGINE
COX .020 TEE DEE
0° DOWN THRUST
0° RIGHT THRUST



HATCH COVER DETAIL



TOP VIEW (TOP SHEETING OMITTED)



SIDE VIEW (LEFT FUSELAGE SIDE NOT SHOWN FOR CLARITY)

©RCM ALL COMMERCIAL RIGHTS RESERVED

QUICKIE 100

DESIGNED & DRAWN BY	RON SHEAN	INKED BY	DICK KIDD
---------------------	-----------	----------	-----------