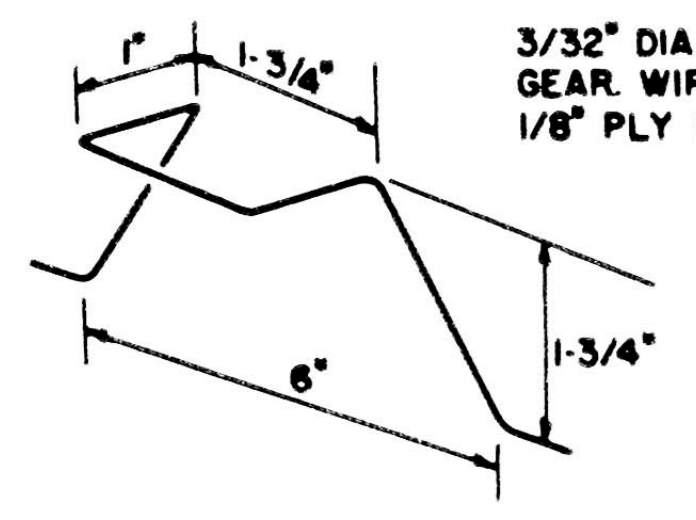
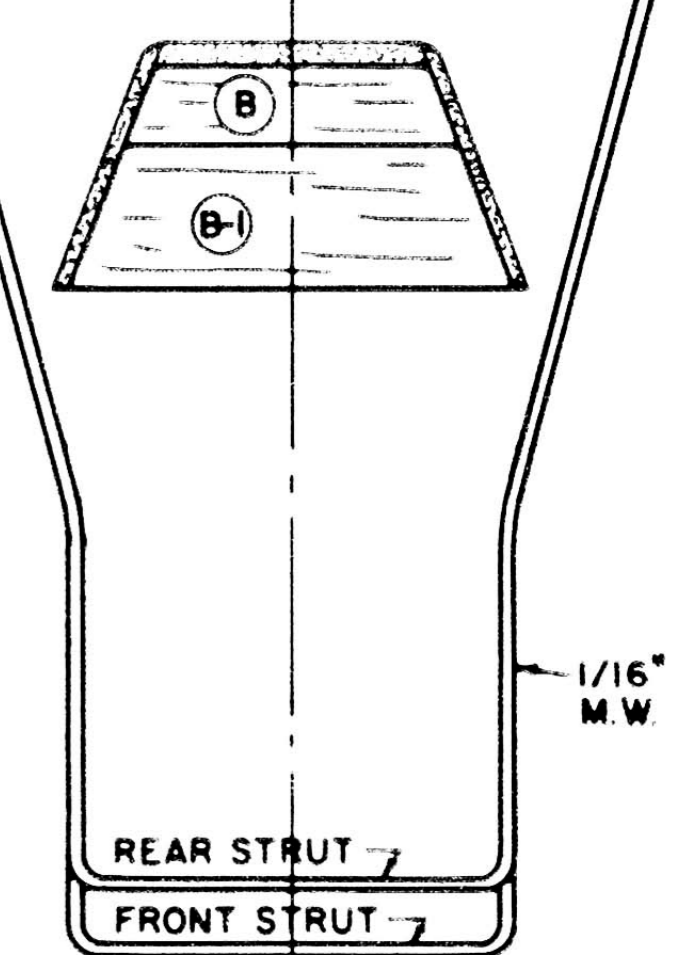
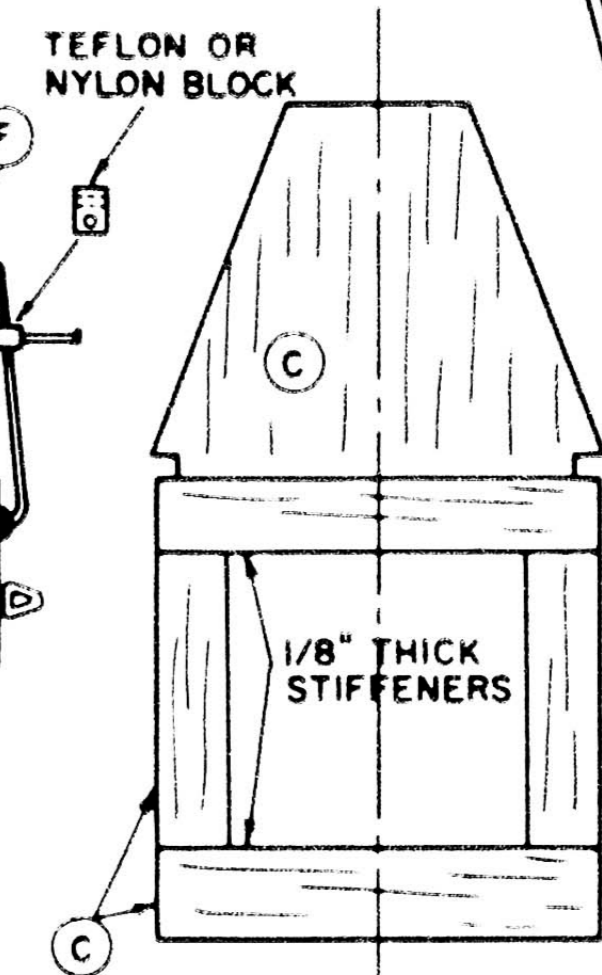
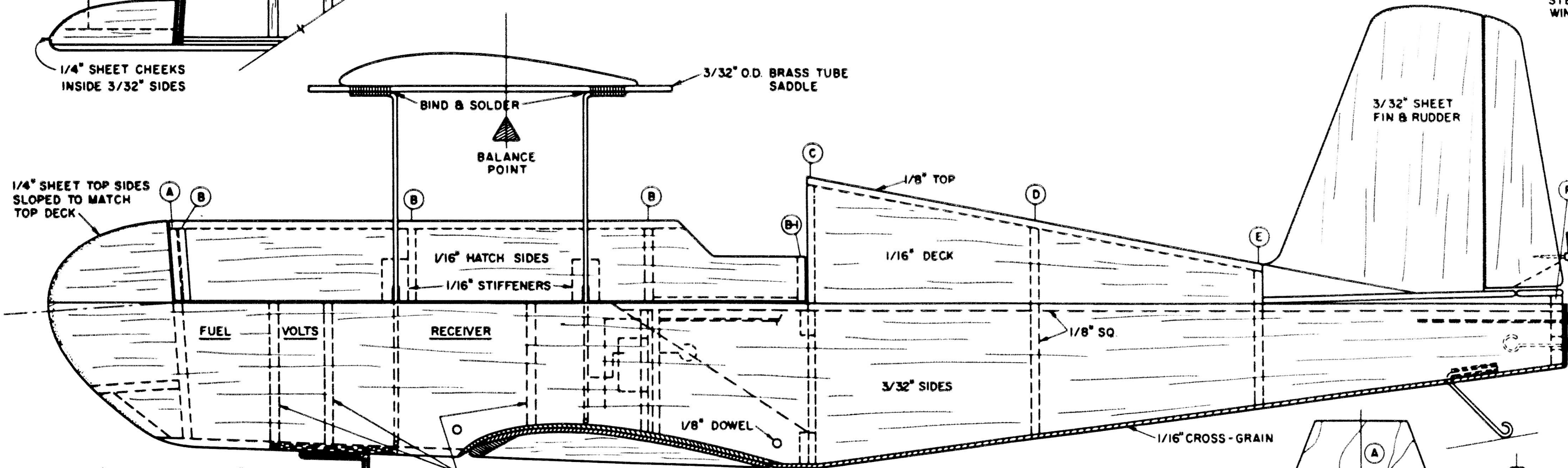
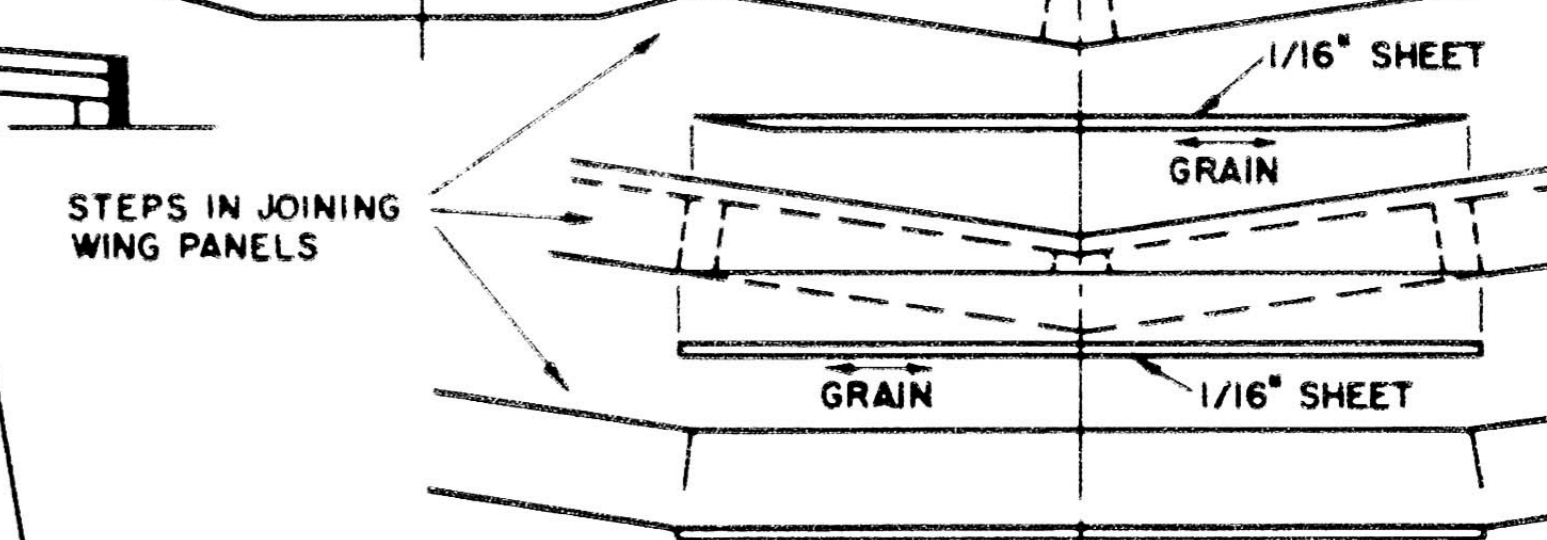
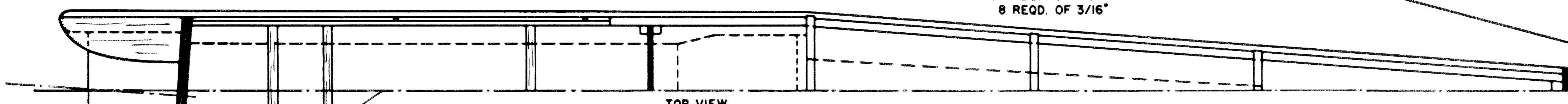
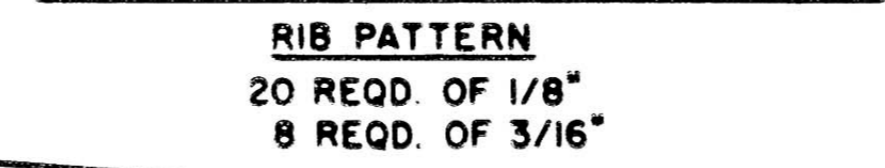
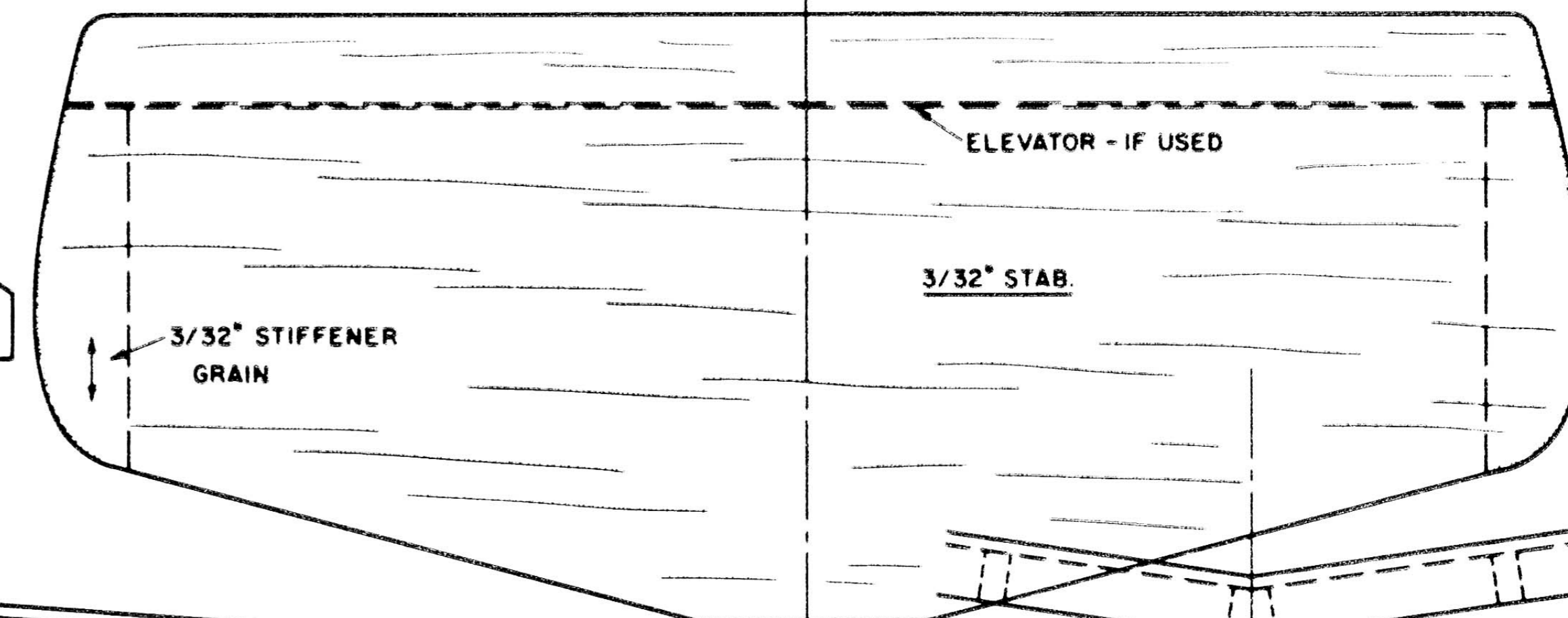
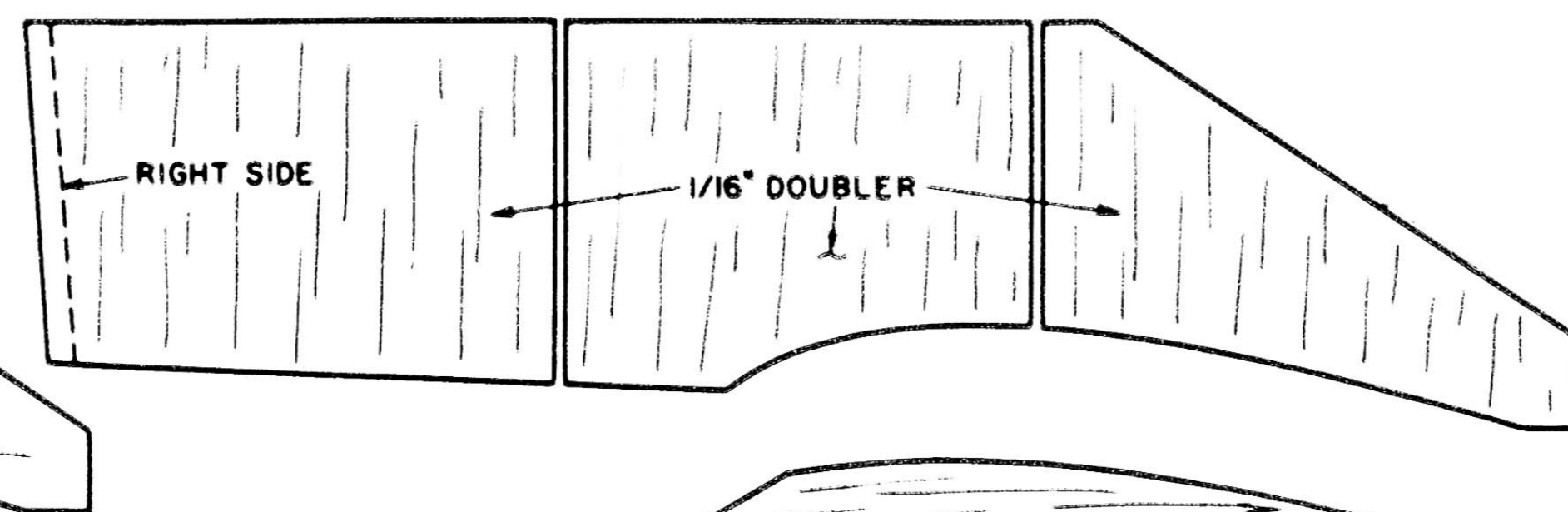
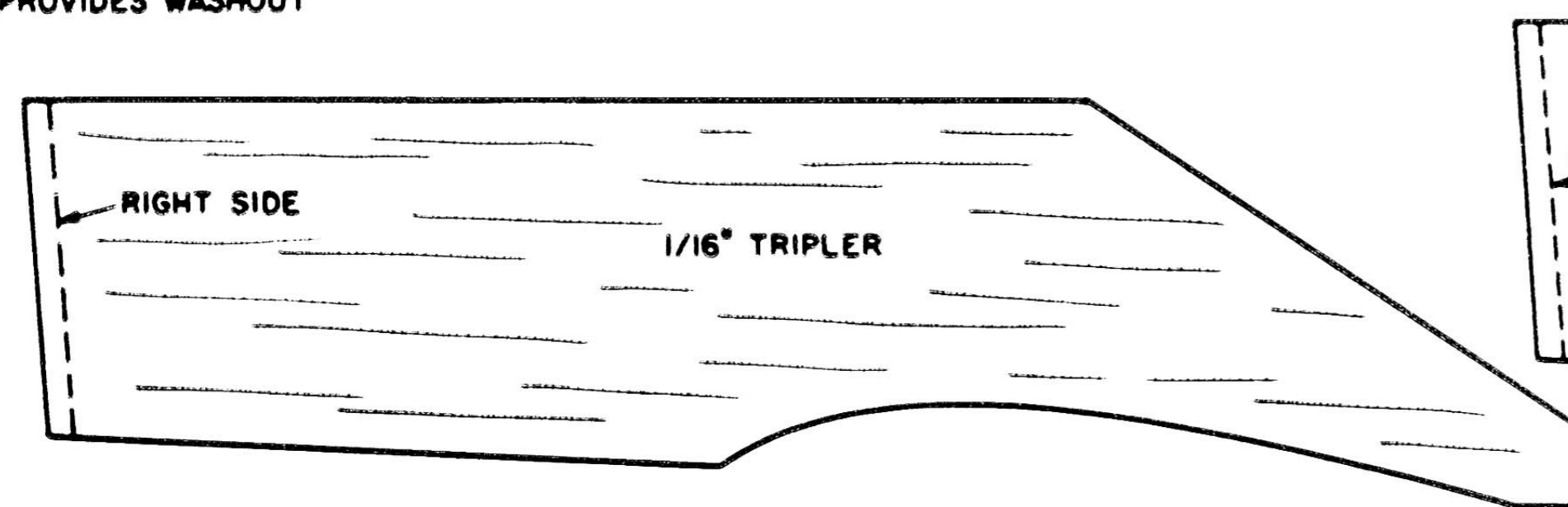


NOTE
TOP & BOTTOM WING PANELS
ARE ALIKE, BUT RIB SPACING
IS DIFFERENT.



NOTE:
BULKHEADS ARE HORIZONTALLY GRAINED
RECTANGLES 2-1/16" WIDE. LOCATE TO
SUIT RADIO INSTALLATION.

NOTE:
ORIGINAL SHIP USED COX RR-1,
REAR ROTARY ENGINE. ANY ENGINE
OF SIMILAR OUTPUT MAY BE USED.

HALF-A SPORT R/C BIPE

SPAN - 28 IN.

AREA - 250 SQ. IN.

WEIGHT - 18 TO 24 OZ.

