

SOFT Balsa wing tip, CARVE TO SUIT, BUT WELL ROUNDED TIP BEST

REINFORCE CENTER SECTION WITH 2" WIDE NYLON CLOTH & EPOXY

LEADING EDGE 3/8" X 5/8" Balsa

SHEET TOP LEADING EDGE ONLY WITH 1/16" Balsa

1/8" X 1/4" SPARS TOP - Balsa BOT - SPRUCE

1/16" X 1/4" CAPSTRIP (TOP & BOT)

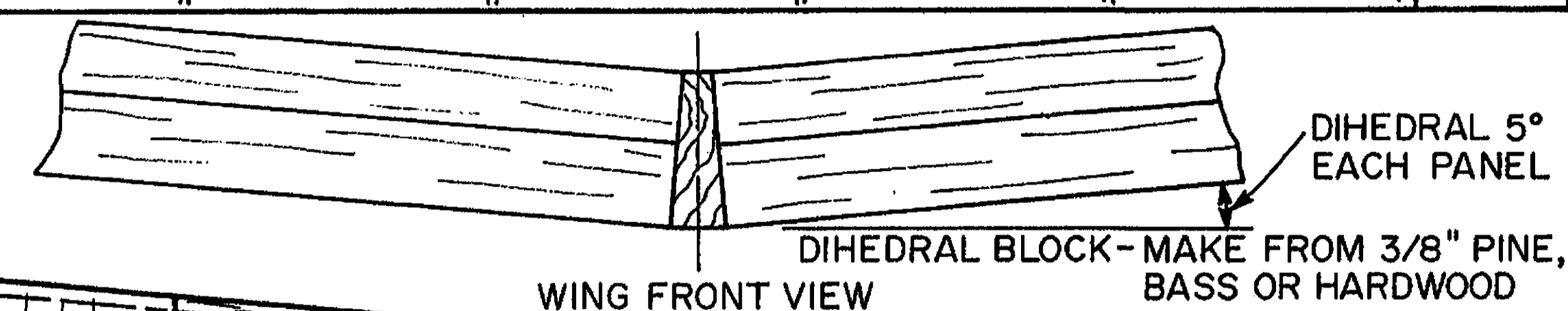
1/4" RIB

1/16" SHEET Balsa

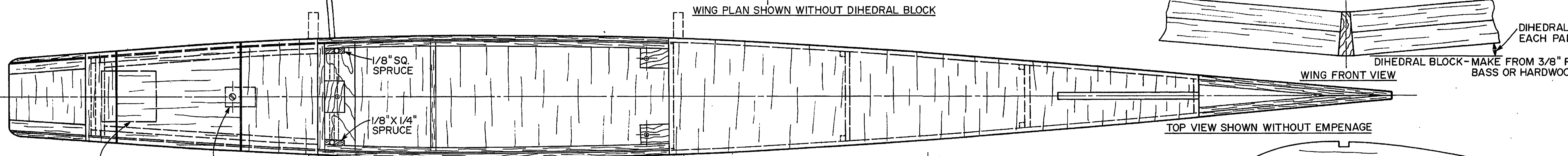
1/4" Balsa FILLER

TRAILING EDGE 1/16" SHT. Balsa

WING PLAN SHOWN WITHOUT DIHEDRAL BLOCK



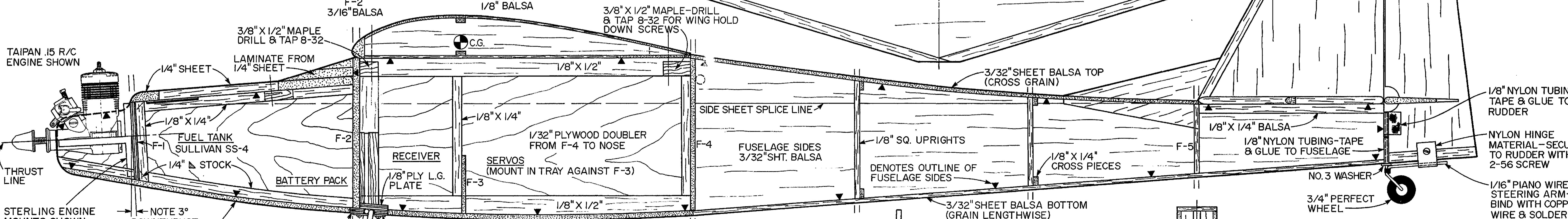
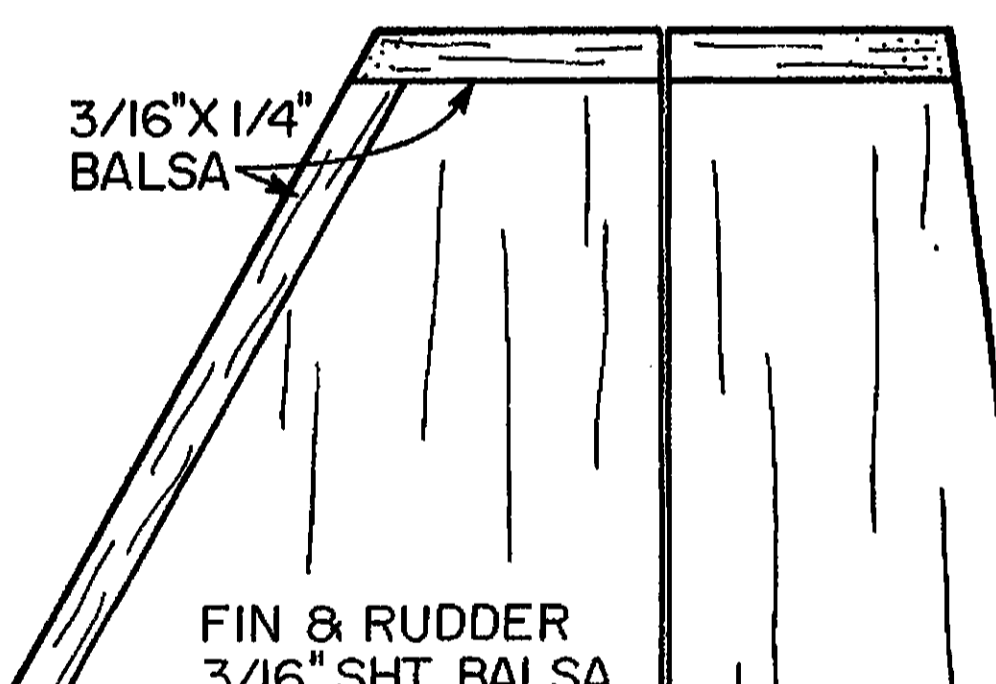
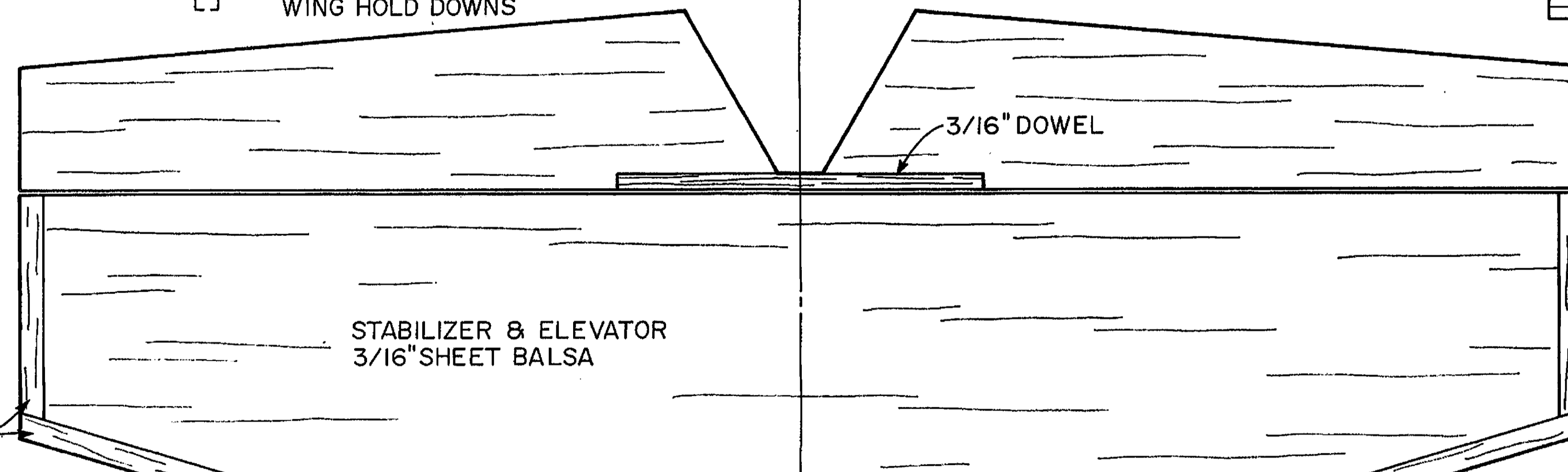
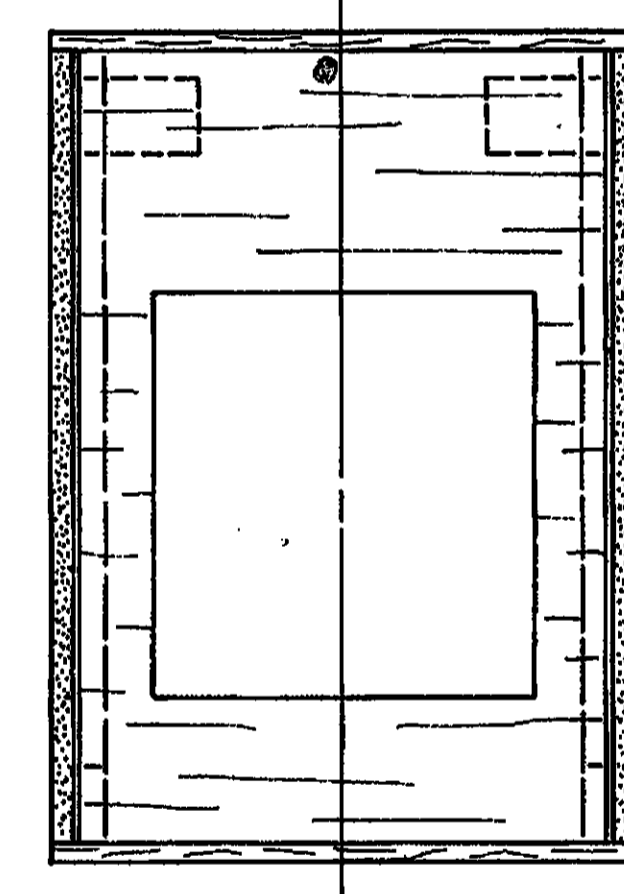
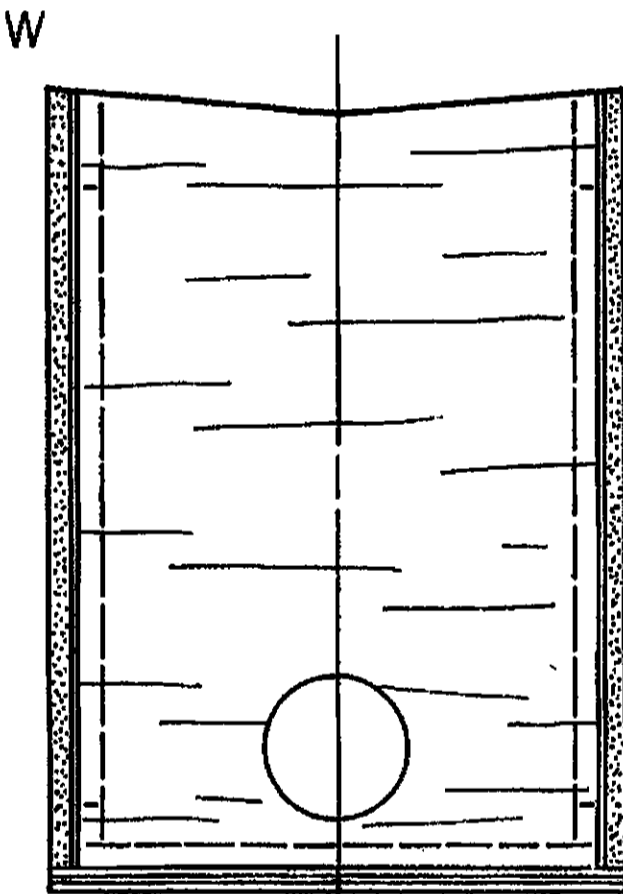
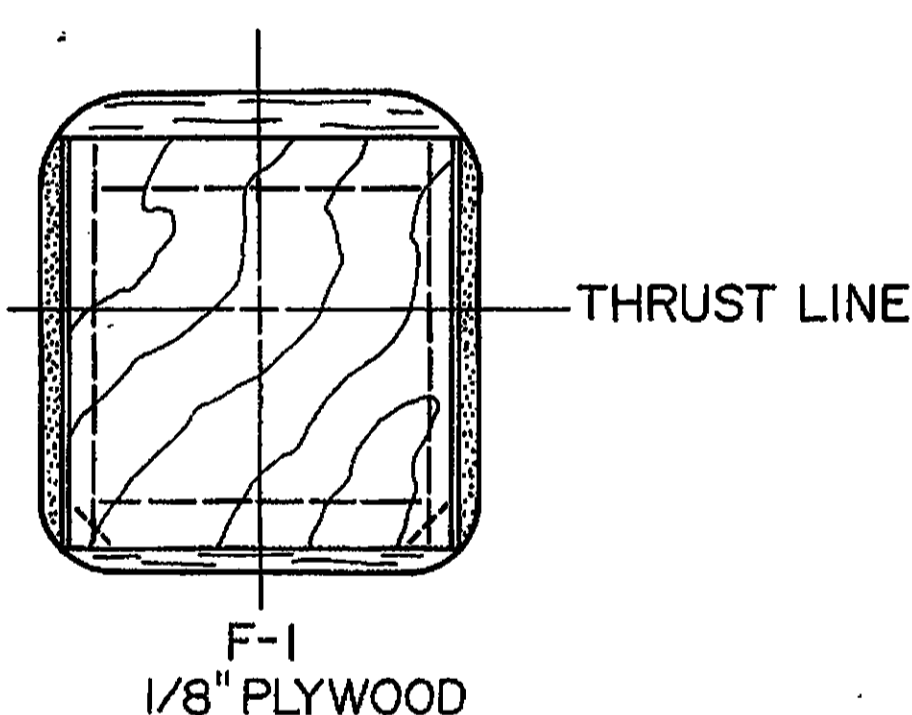
TOP VIEW SHOWN WITHOUT EMPENAGE



FUSELAGE TOP VIEW

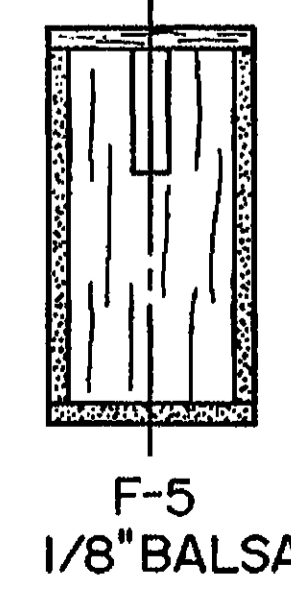
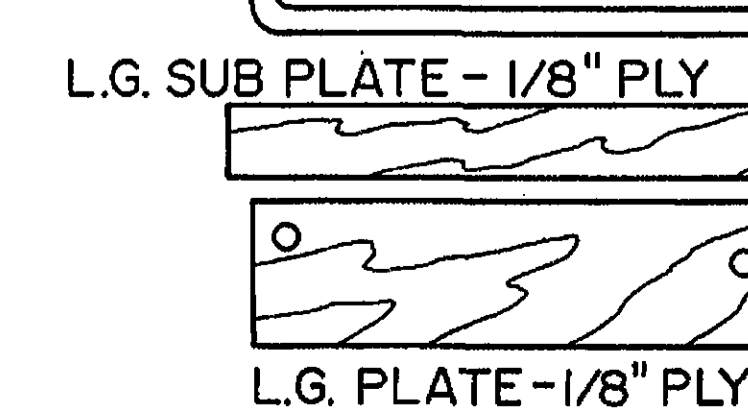
OPTIONAL 1/4" DOWEL WING HOLD DOWNS

WING RIB - MAKE 16 FROM 1/16" SHEET Balsa
2 FROM 1/4" SHEET Balsa
2 FROM 1/8" SHEET Balsa

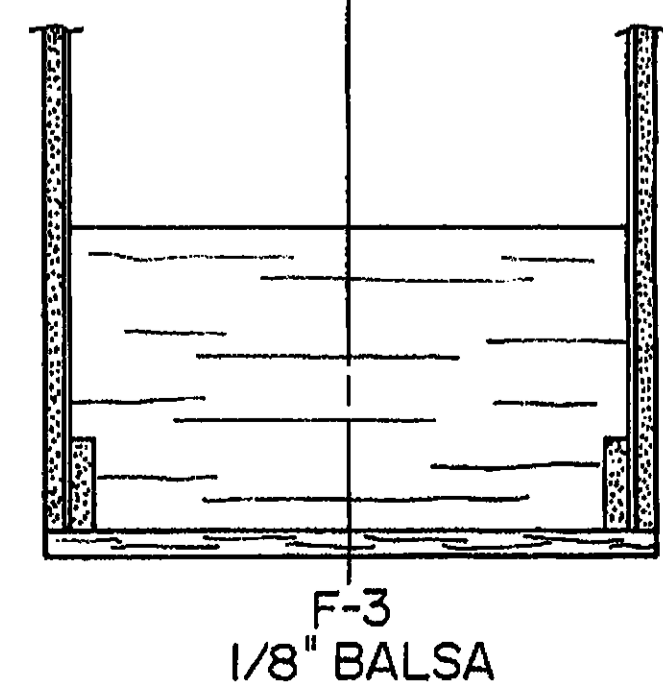
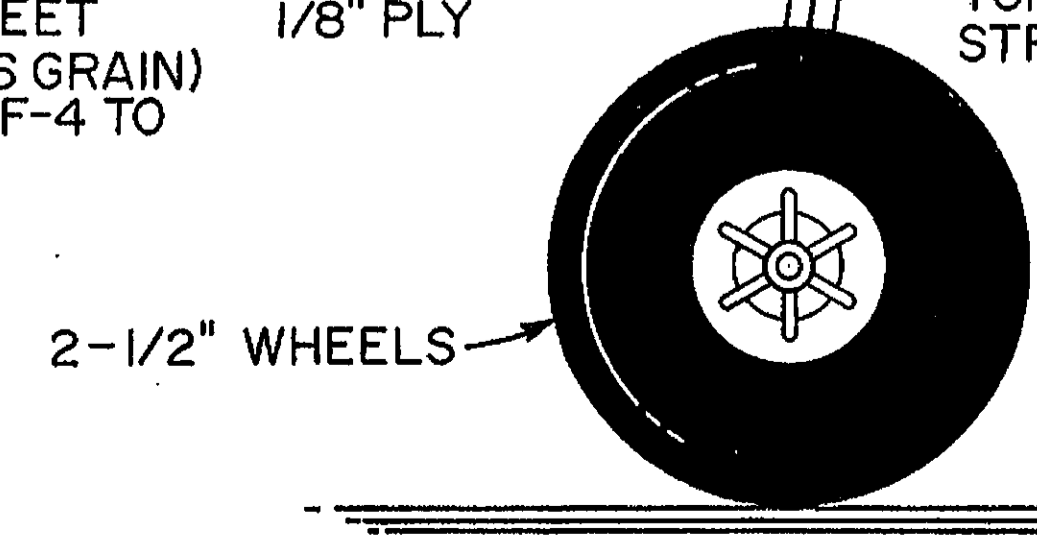


FUSELAGE SIDE VIEW (SHOWN WITH LEFT SIDE REMOVED)

LANDING GEAR - MAKE 2 FROM 1/8" PIANO WIRE



| | |
|-----------|-----------------|
| WING SPAN | 42-5/8" |
| WING AREA | 339 SQ. IN. |
| LENGTH | 38-1/4" |
| WEIGHT | 2-1/2 TO 3 LBS. |
| POWER | .15 CU. IN. |



VM1W

DESIGNED & DRAWN BY P. B. STRENGELL INKED BY DICK KIDD RANDY KIDD

