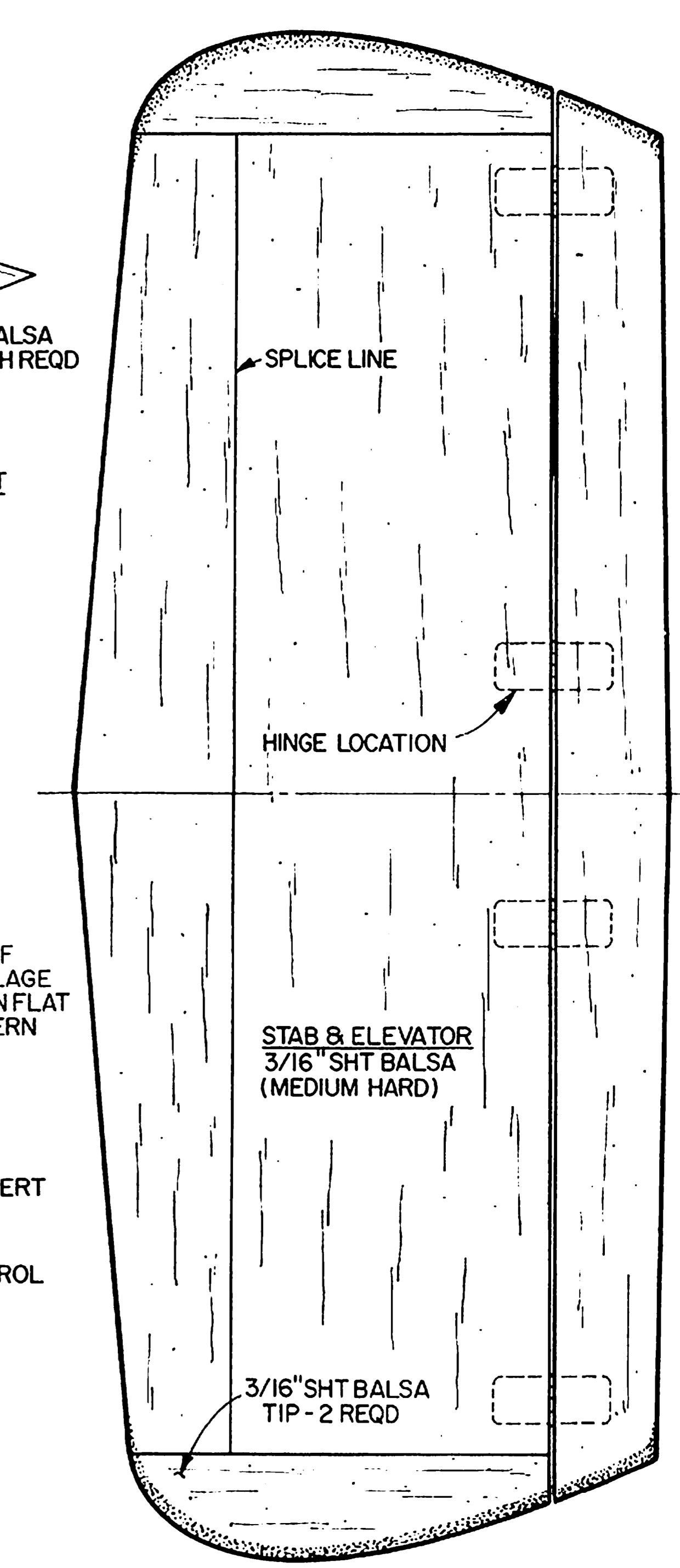
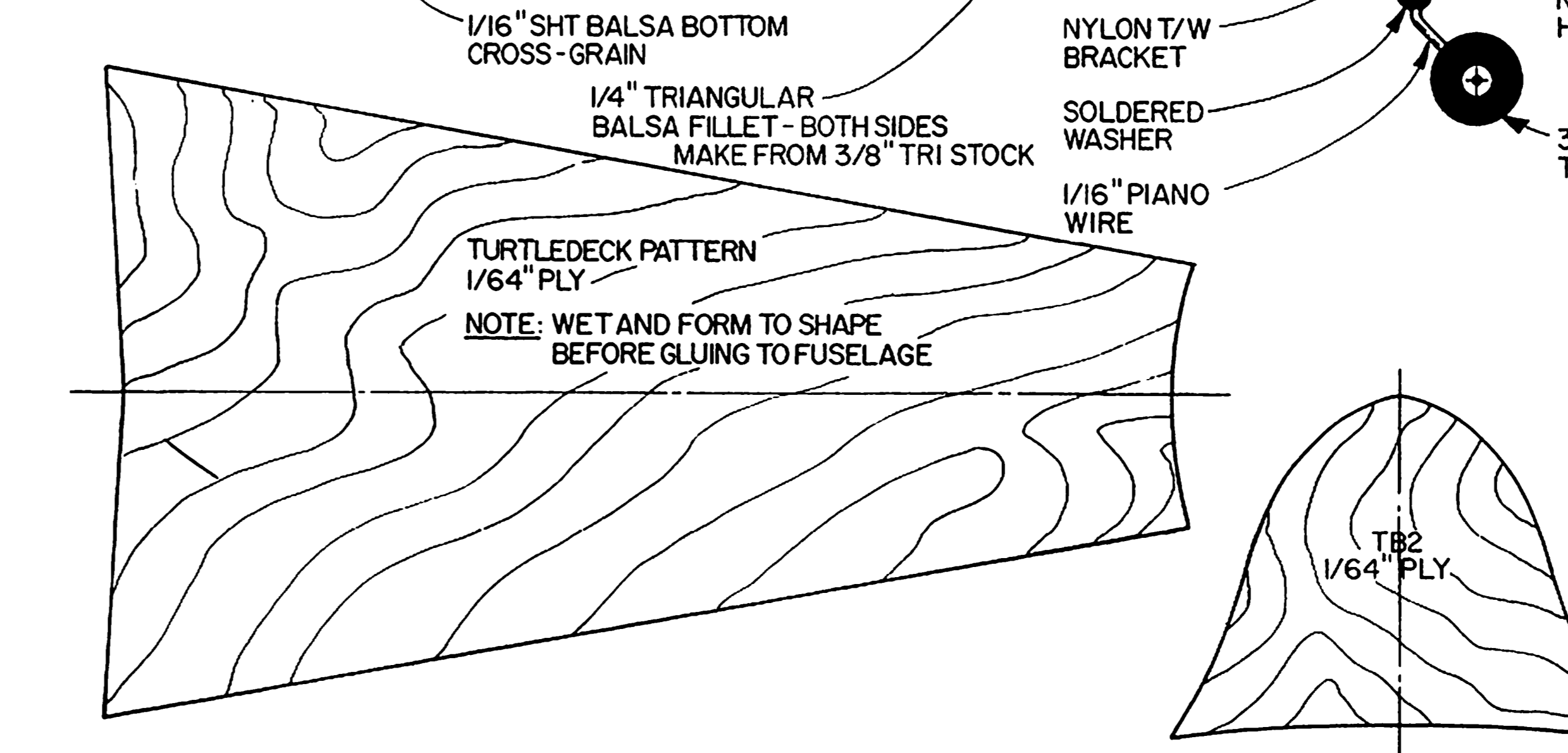
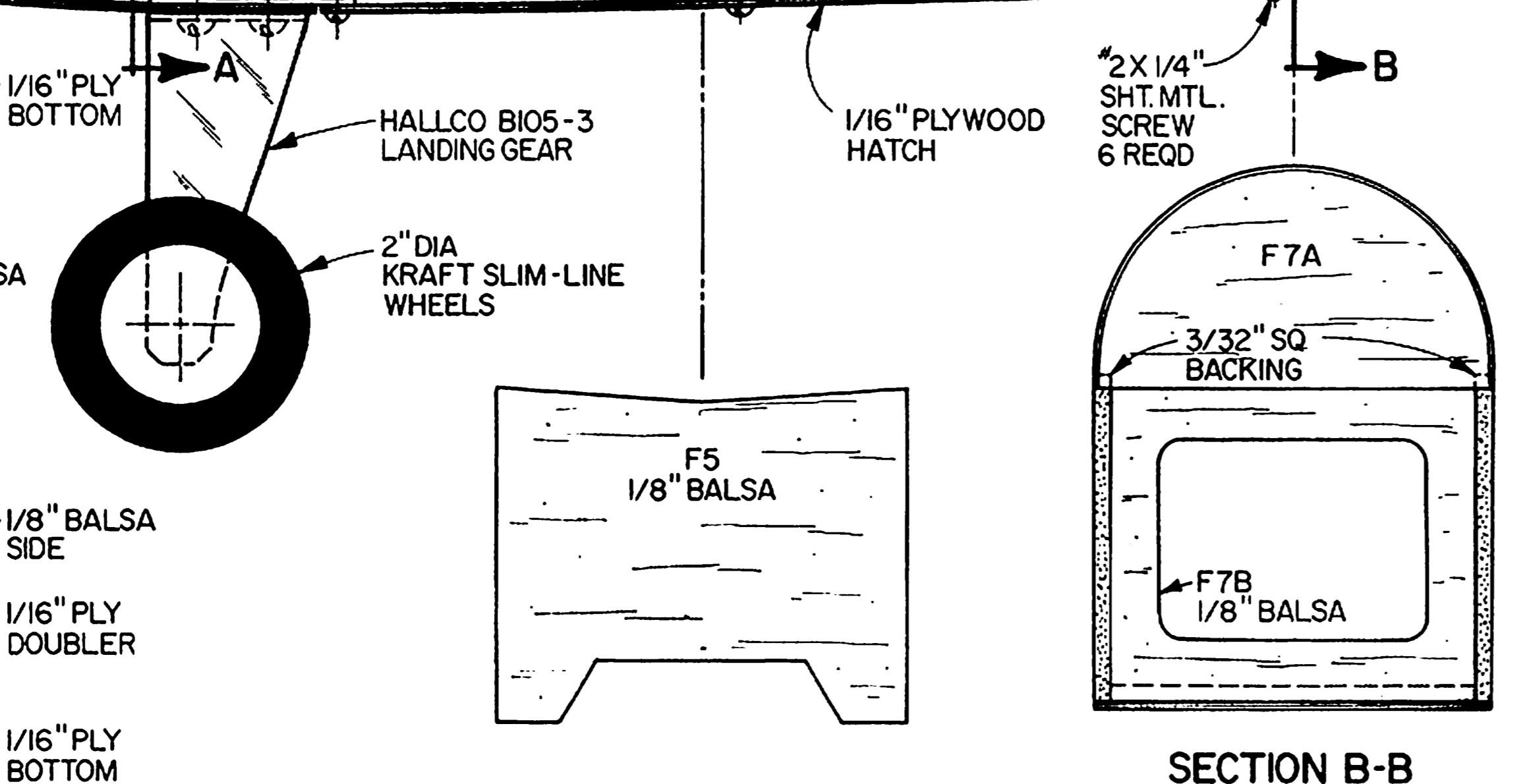
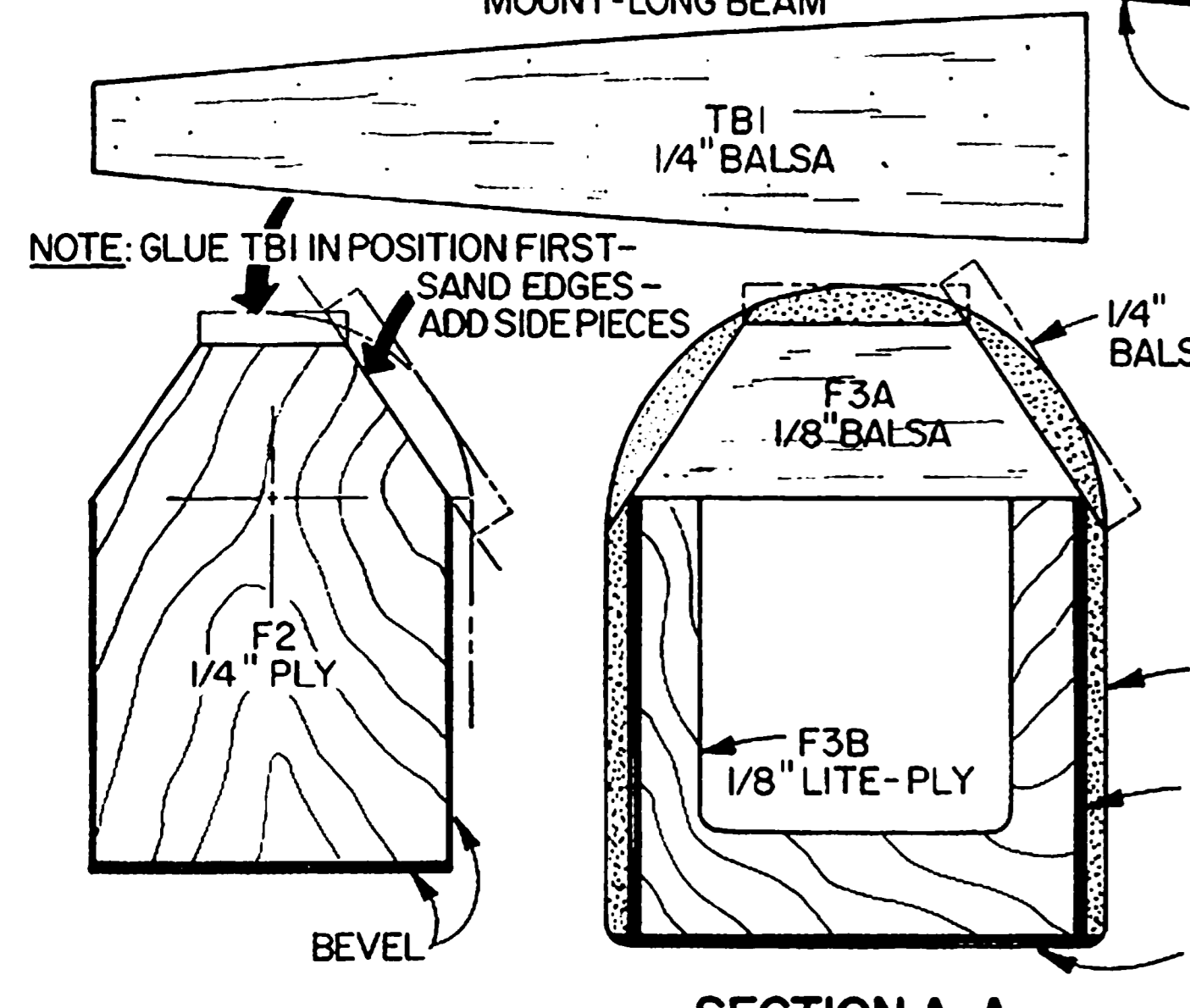
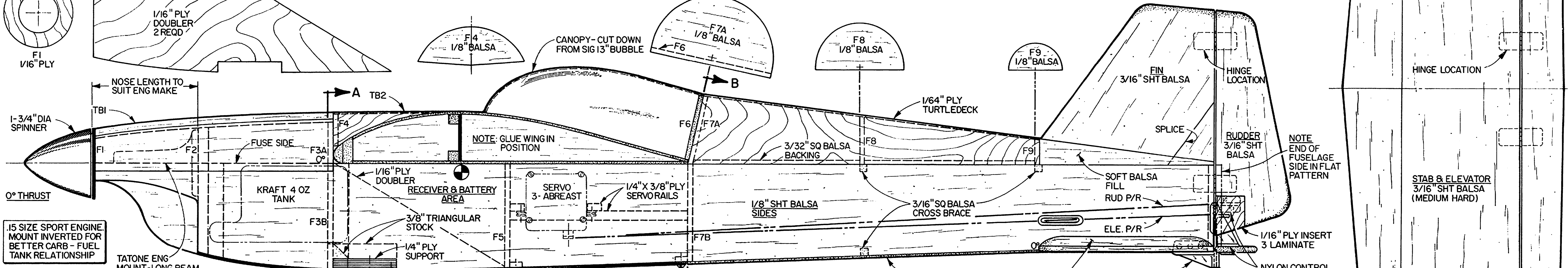
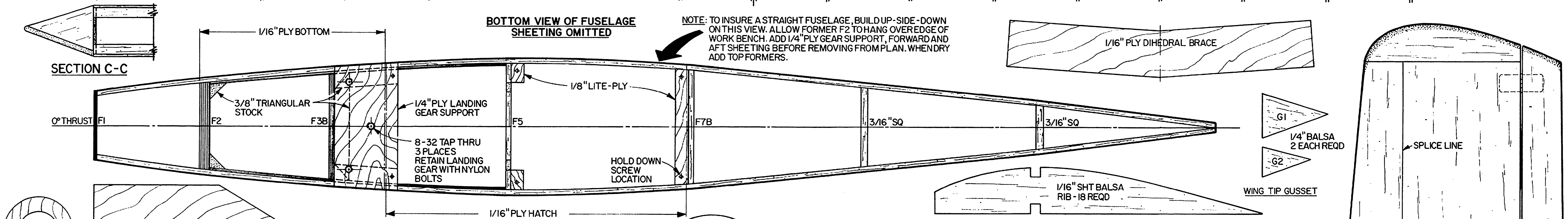


BOTTOM VIEW OF FUSELAGE SHEETING OMITTED

NOTE: TO INSURE A STRAIGHT FUSELAGE, BUILD UP - SIDE - DOWN ON THIS VIEW. ALLOW FORMER F2 TO HANG OVER EDGE OF WORK BENCH. ADD 1/4" PLY GEAR SUPPORT, FORWARD AND AFT SHEETING BEFORE REMOVING FROM PLAN. WHEN DRY ADD TOP FORMERS.



© RCM ALL COMMERCIAL RIGHTS RESERVED

TRI-VALLEY TOP DAWG

DESIGNED BY WALT SENOUR and JERRY SMITH
DRAWN BY JERRY SMITH

Editing By Hlsat.