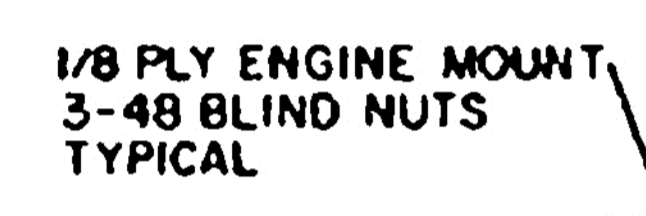
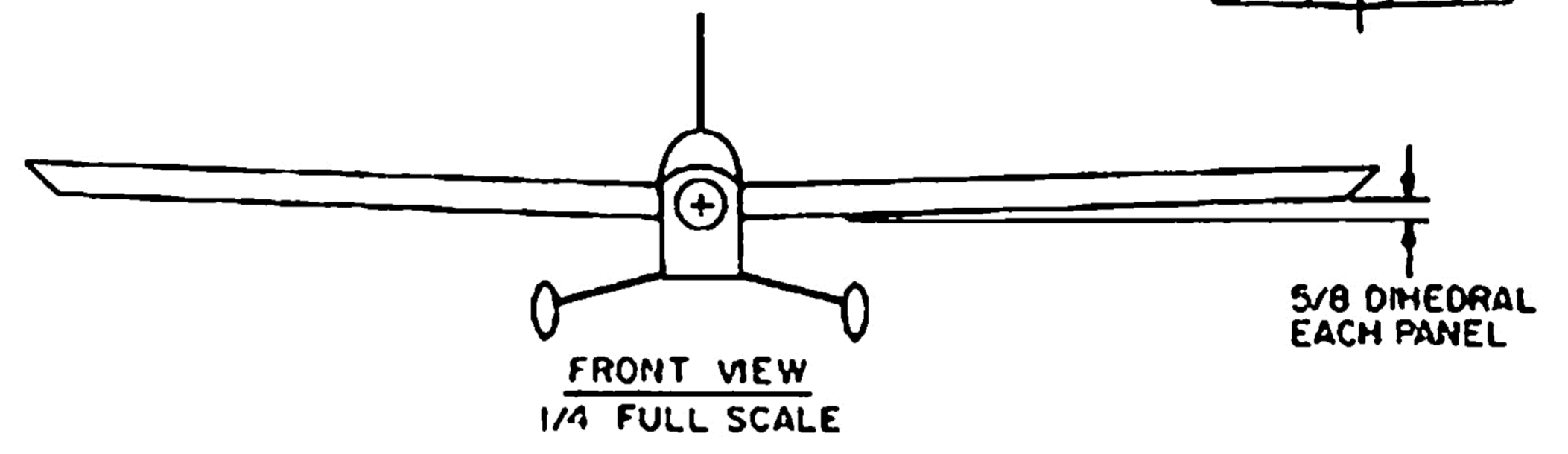
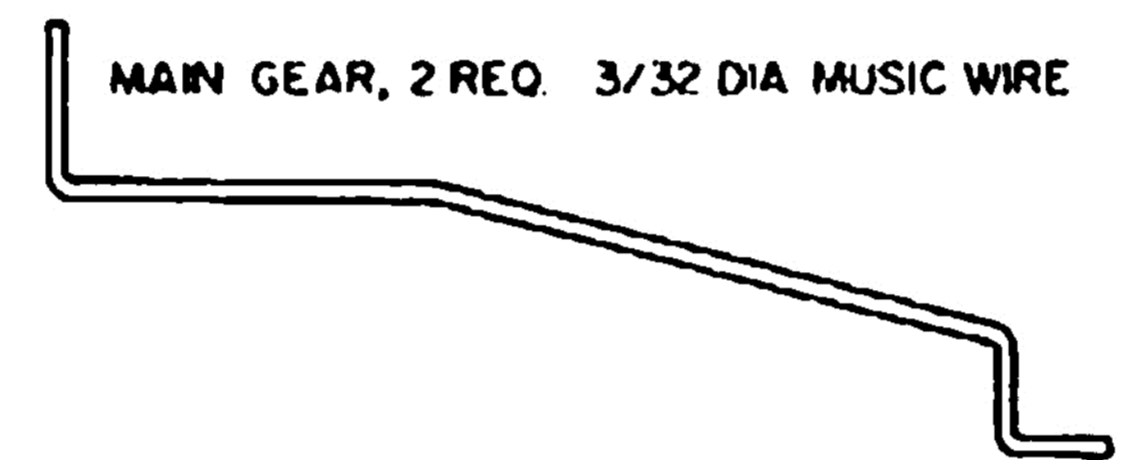
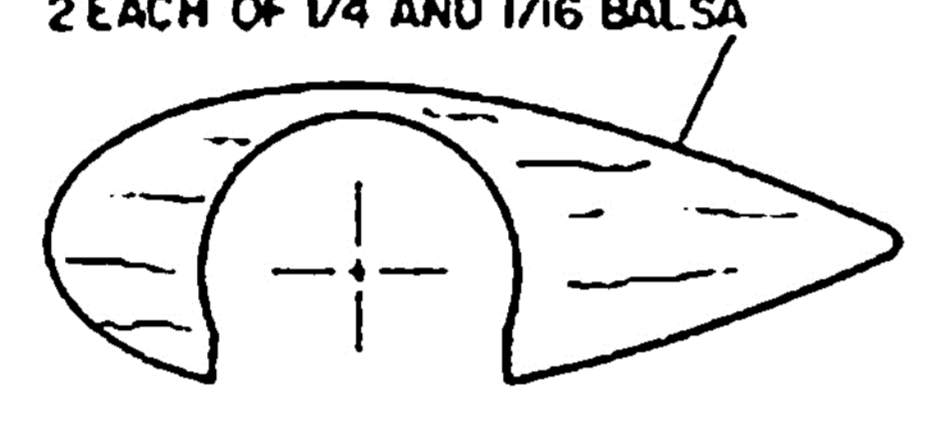
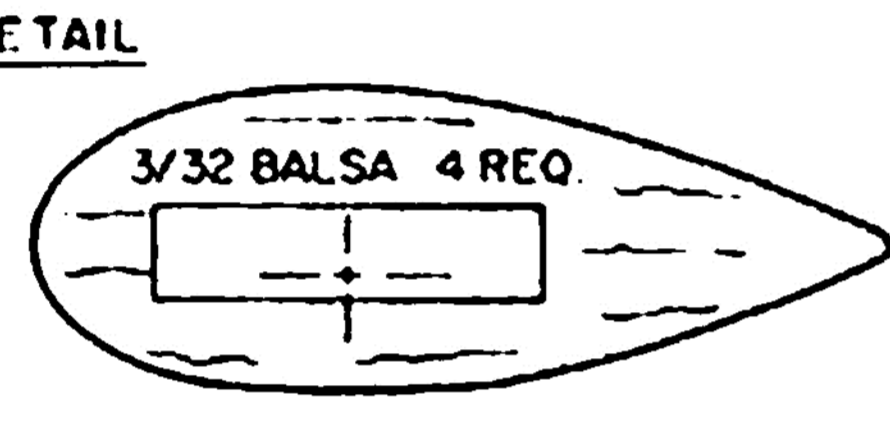
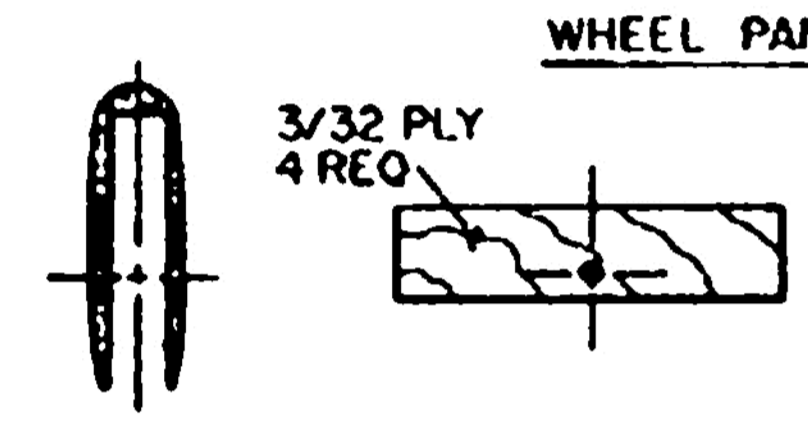
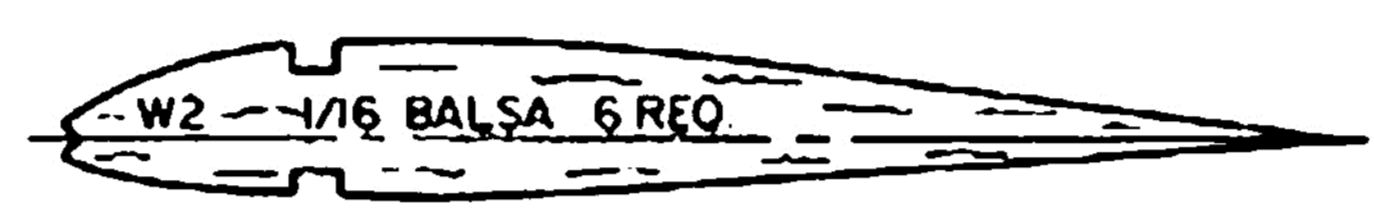
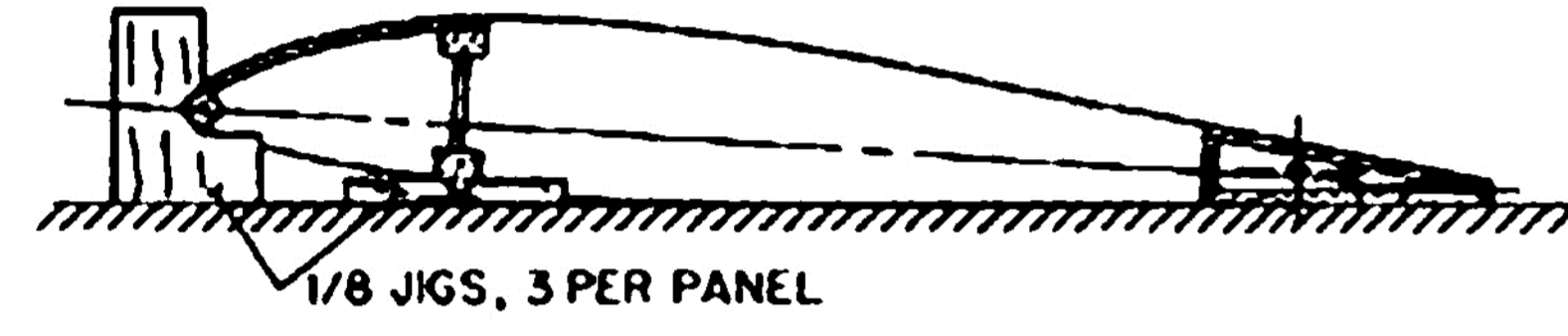
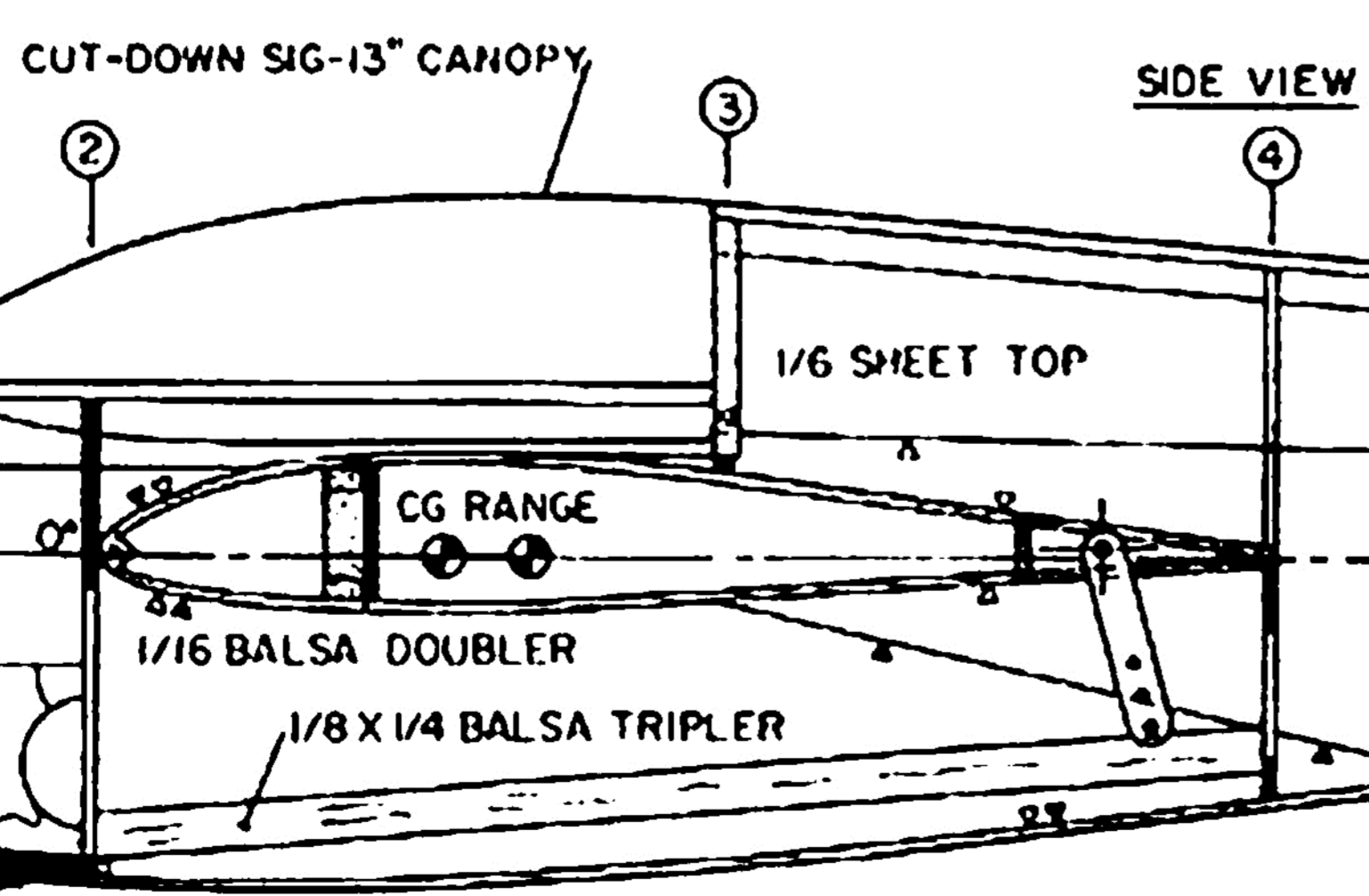
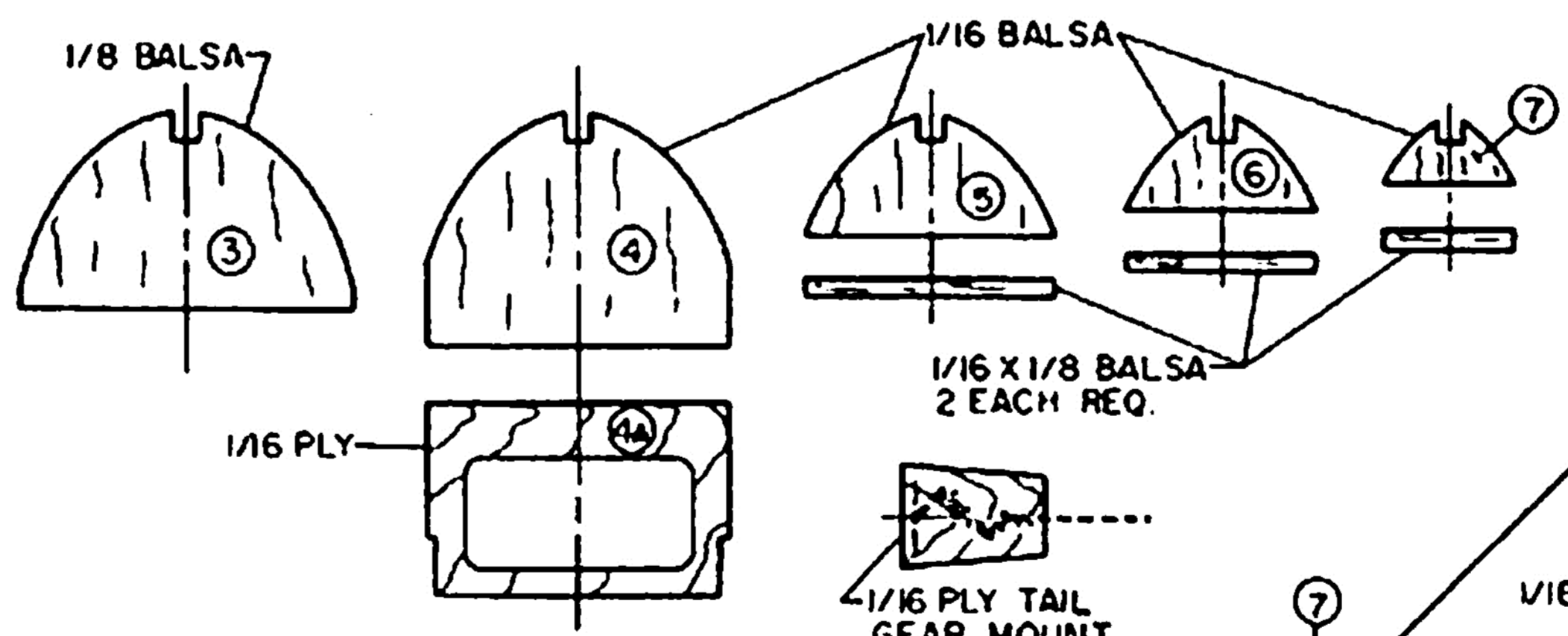
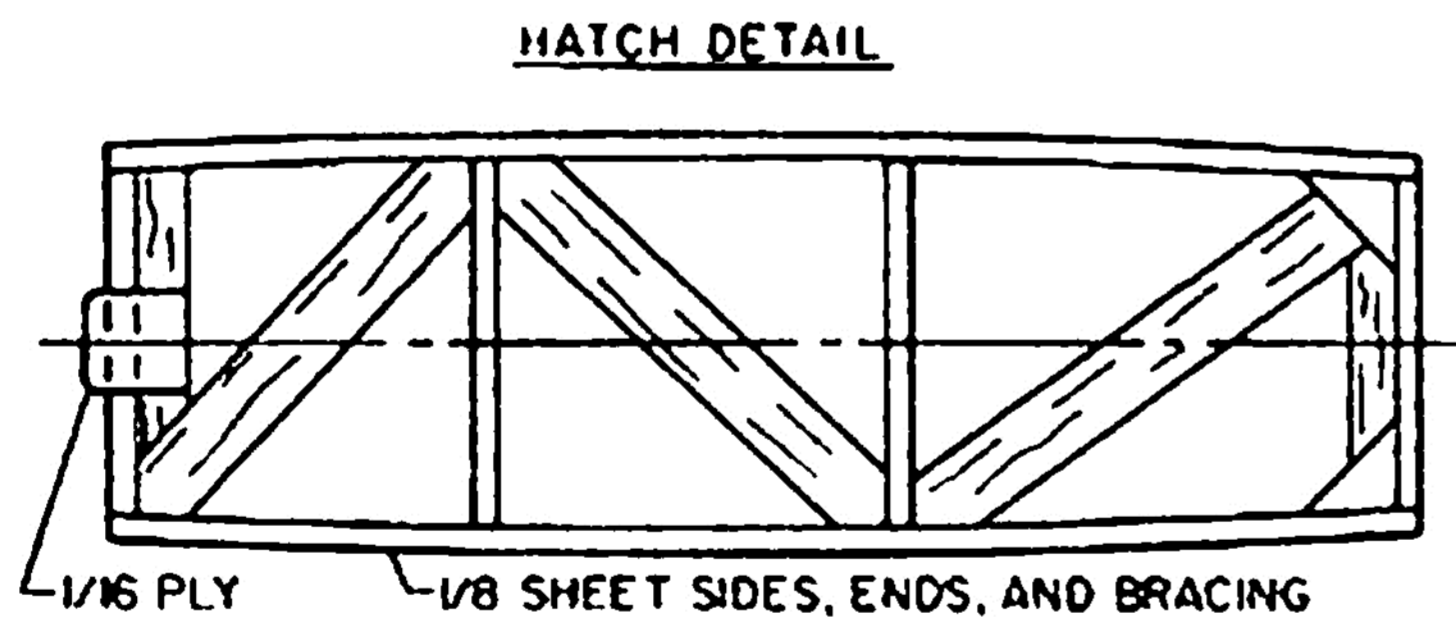
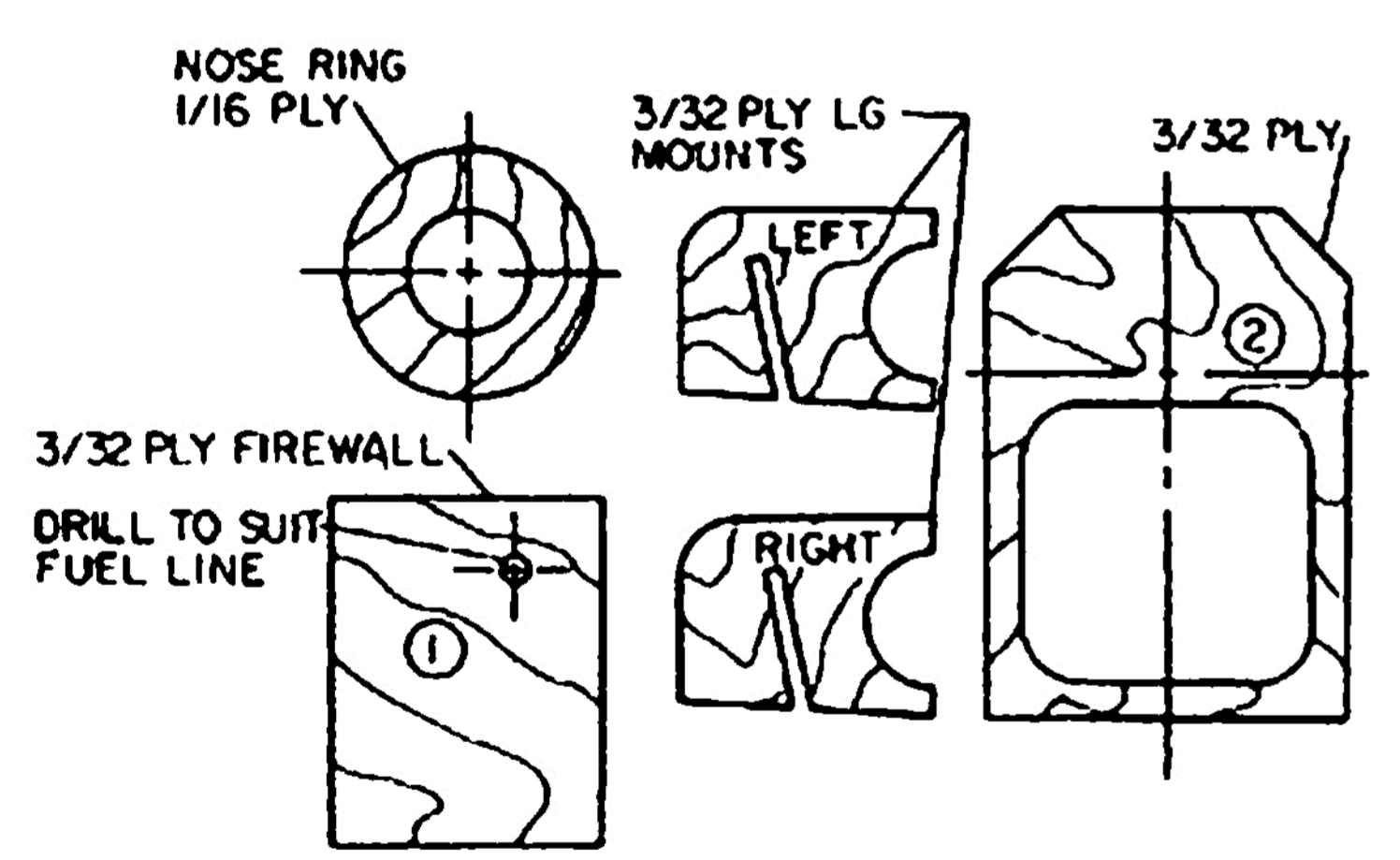
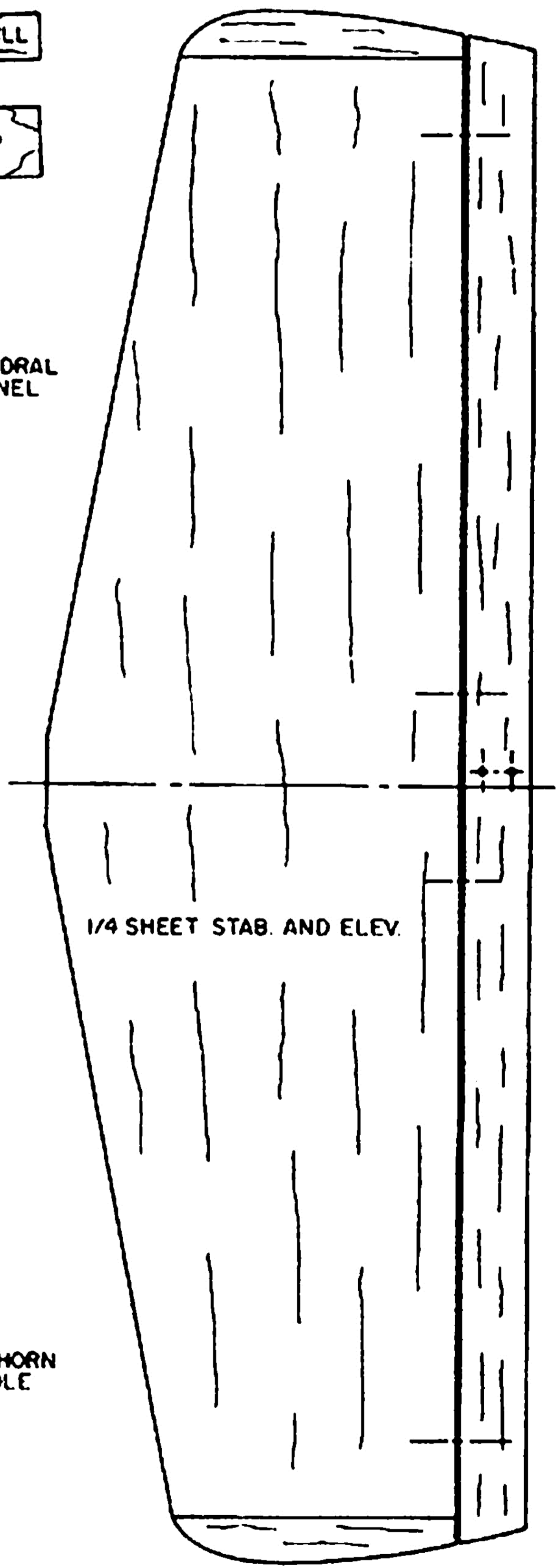
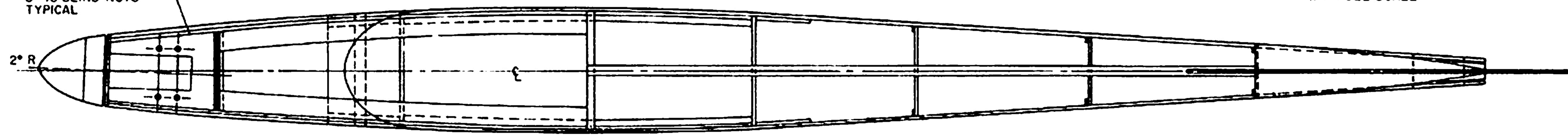


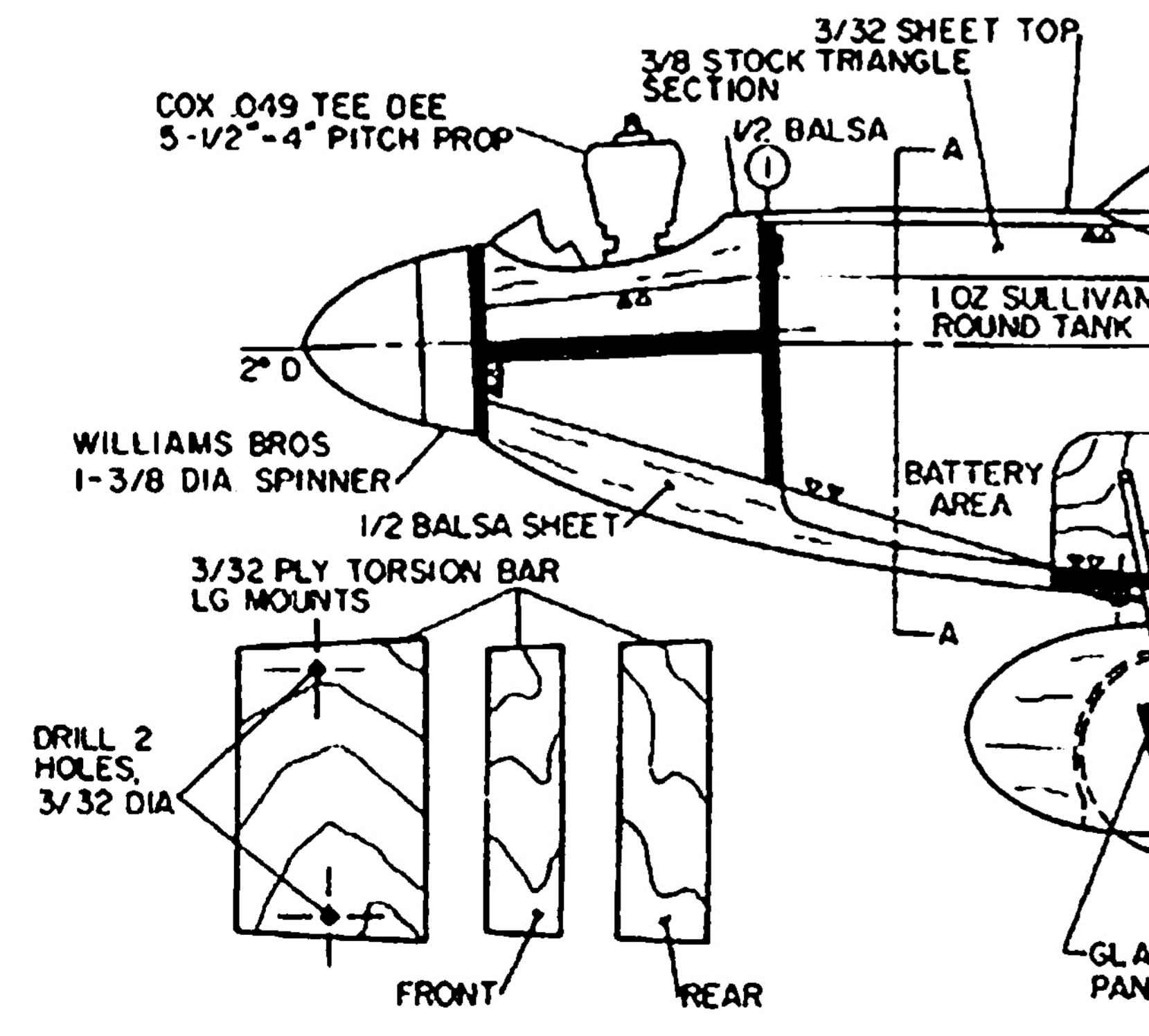
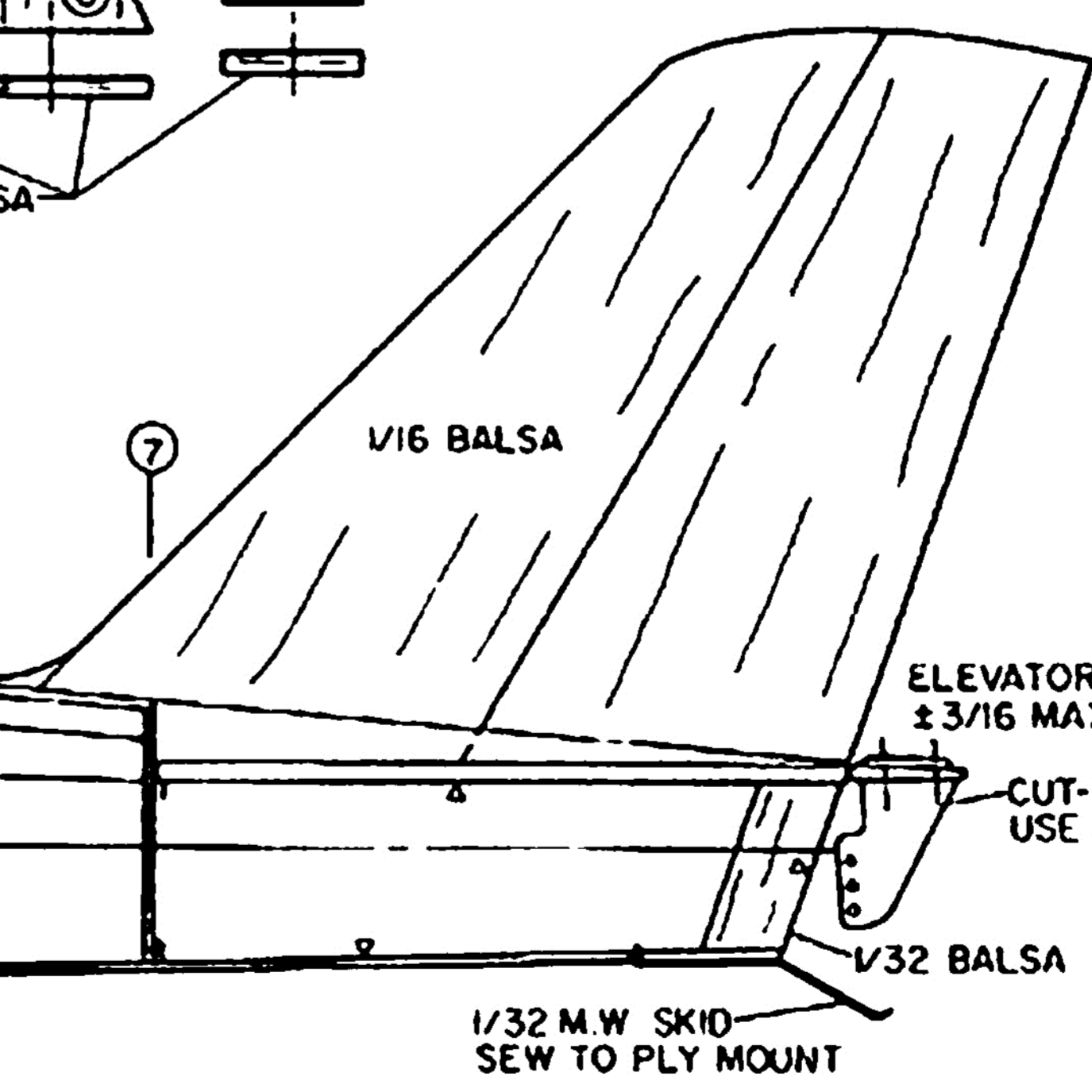
WING CONSTRUCTION DETAIL



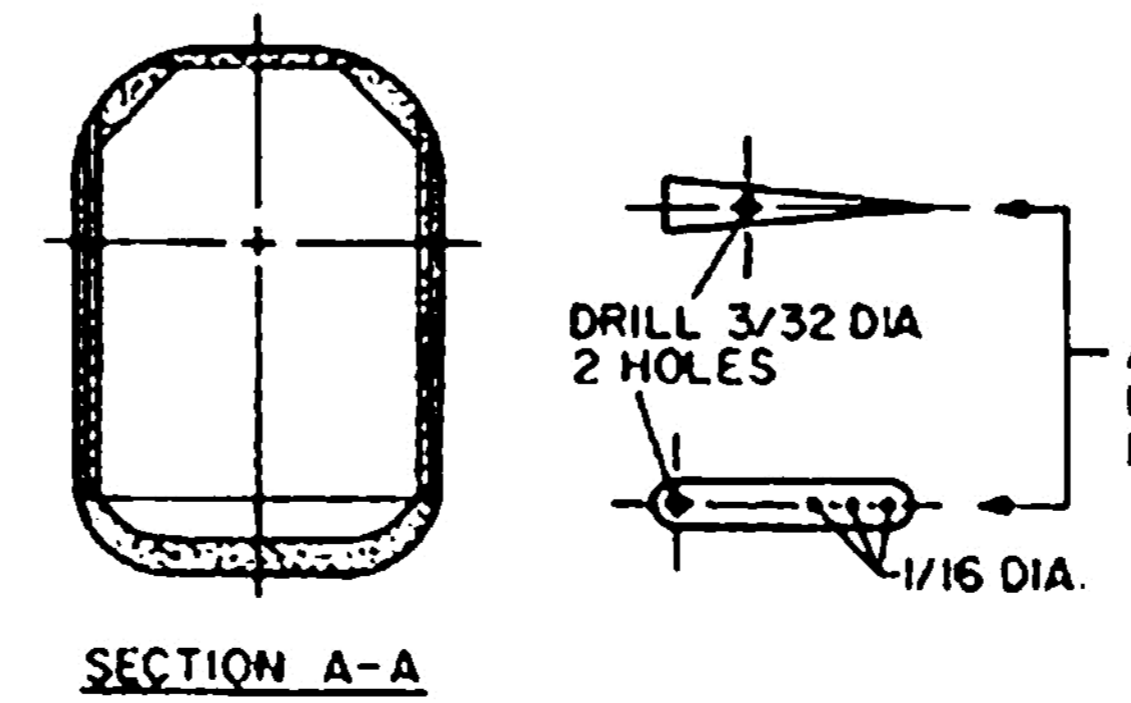
FUSELAGE TOP VIEW



SIDE VIEW



KEY
- DENOTES DOUBLER OUTLINE
- DENOTES FUSELAGE SIDE OUTLINE



WING SPAN-37 1/4"
LENGTH-29 1/2"
WING AREA-250 SQ. IN.
POWER PLANT-.049 CU. IN. DISP
WEIGHT-23-26 OZ

SUPER CHIP
1/2A RACER/SPORT

DESIGNED AND DRAWN BY JERRY COLE INKED BY LEE DAWALD

0 1 2 3 4 5 6