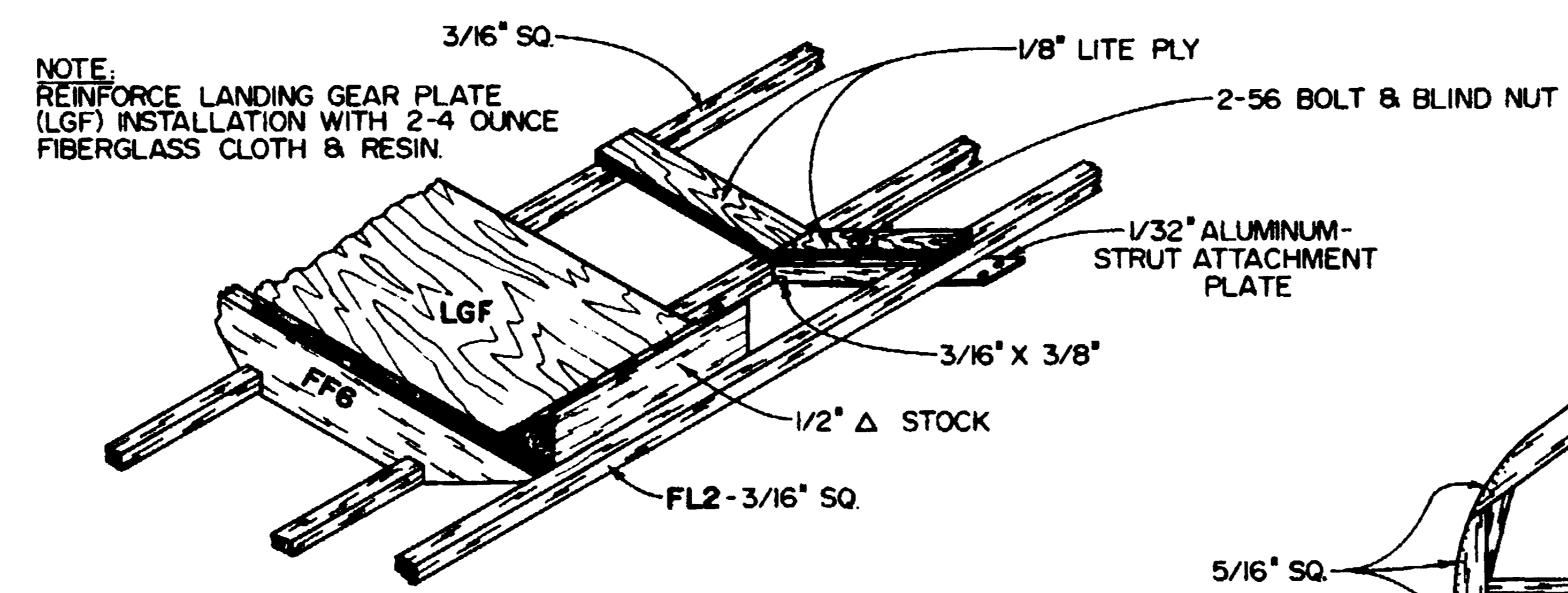
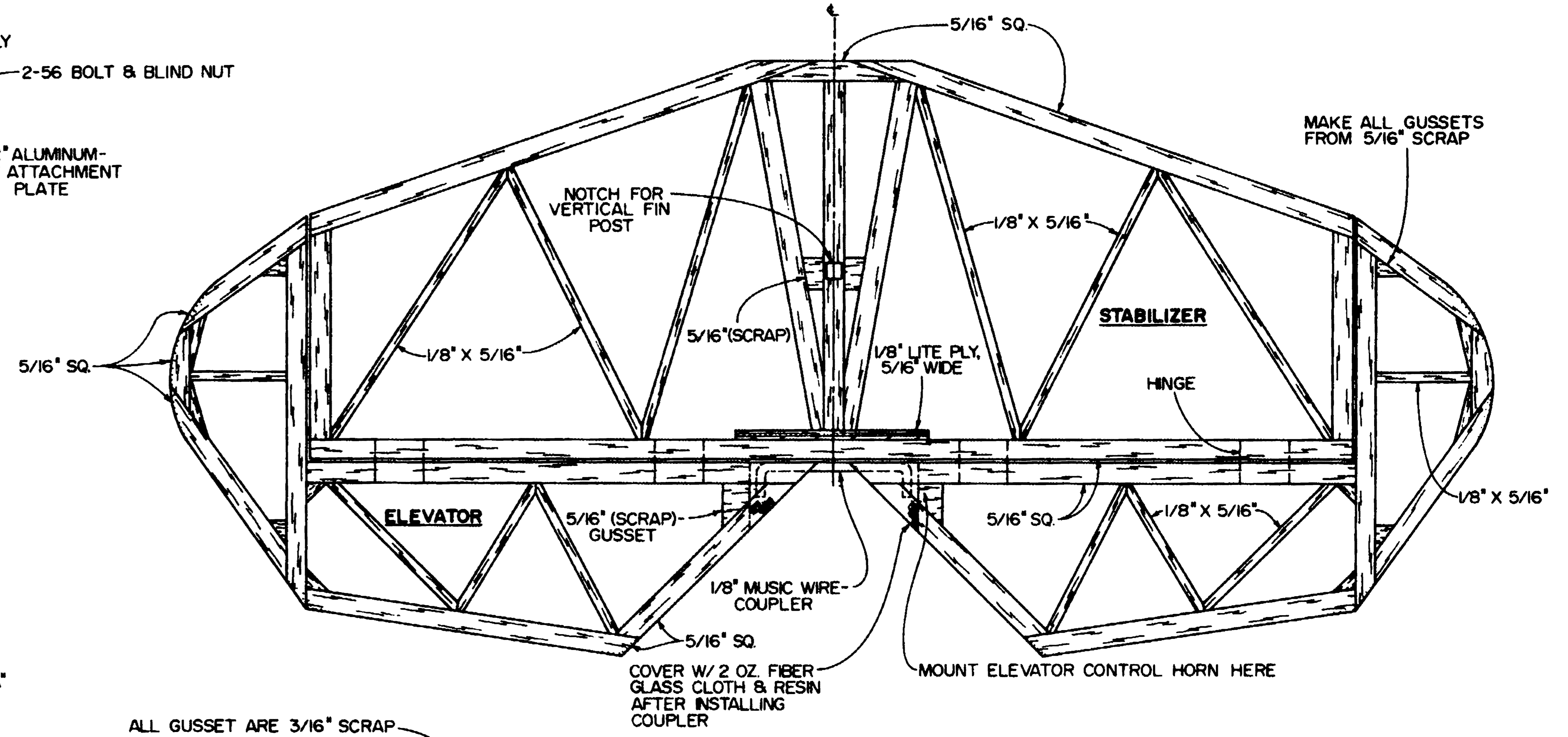


WING DOWL MOUNTING DETAIL
NO SCALE

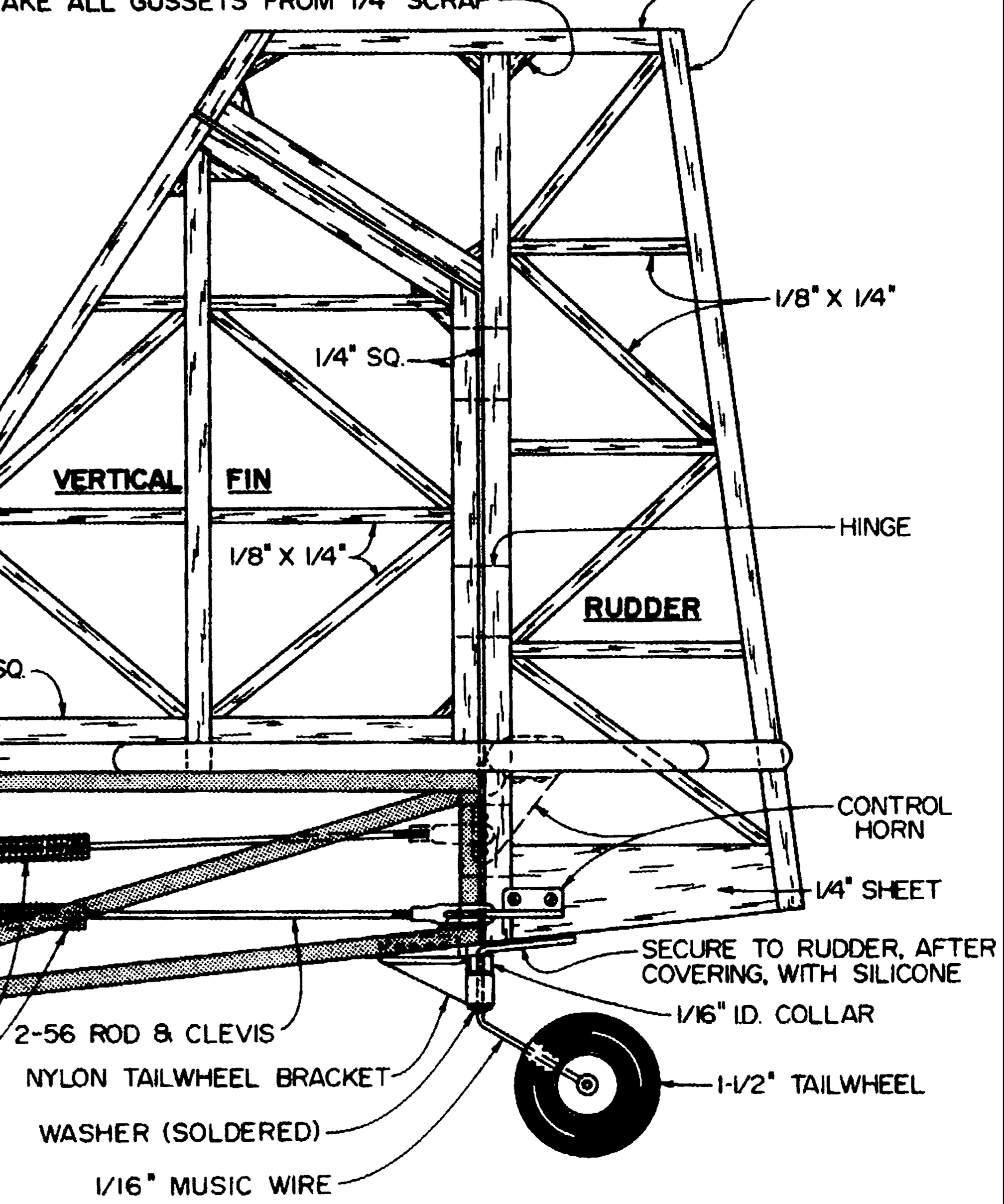
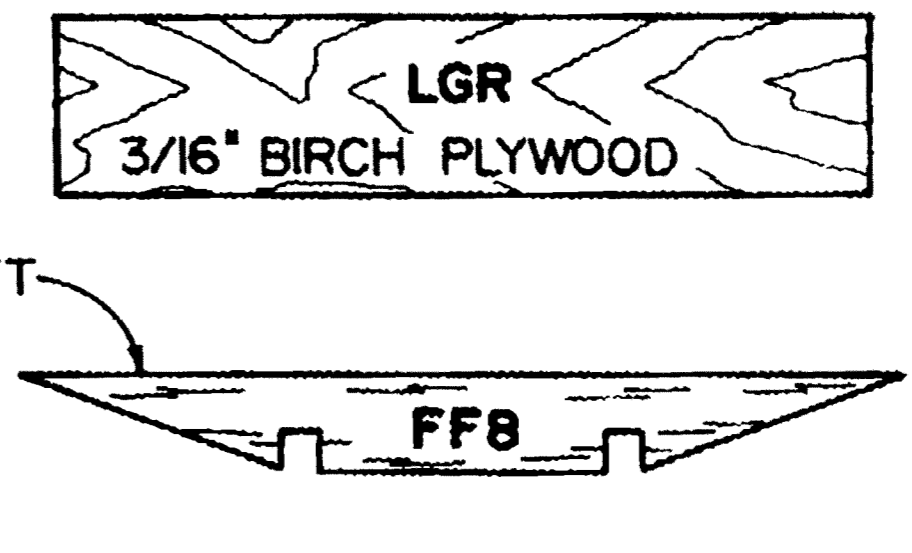
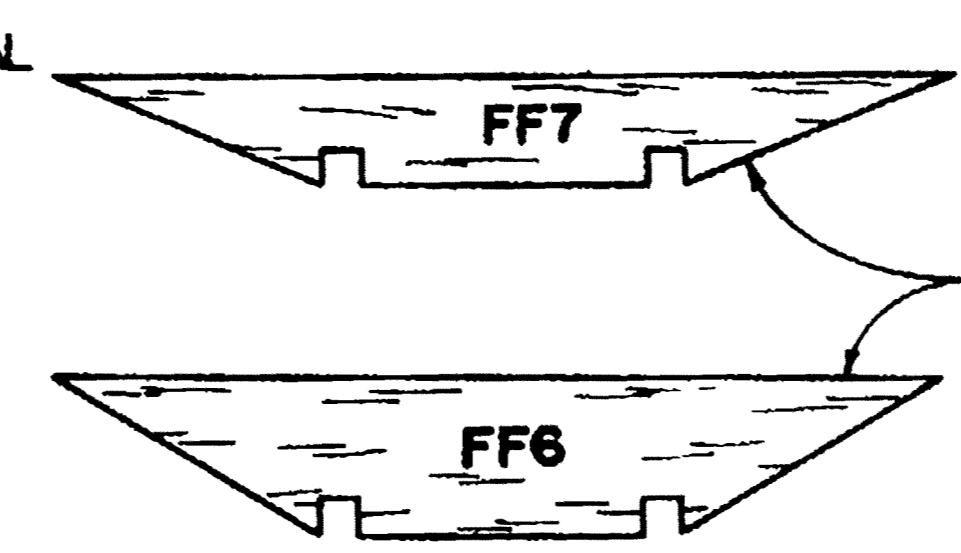
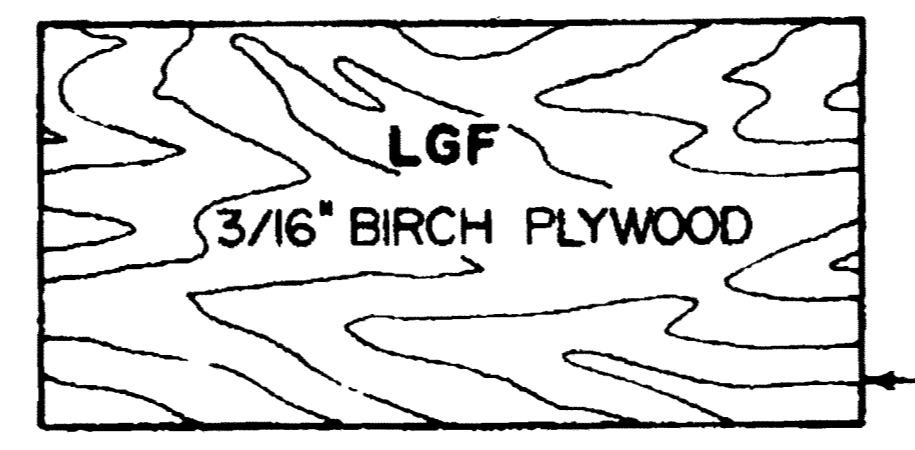
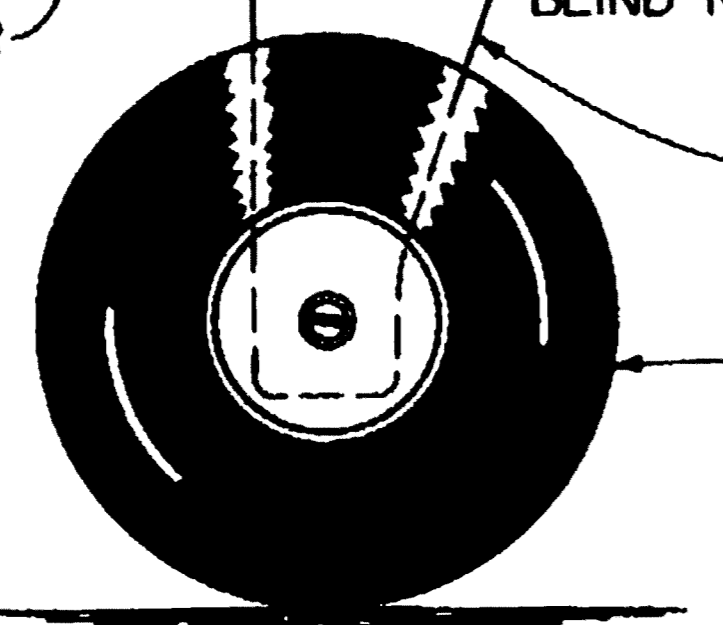
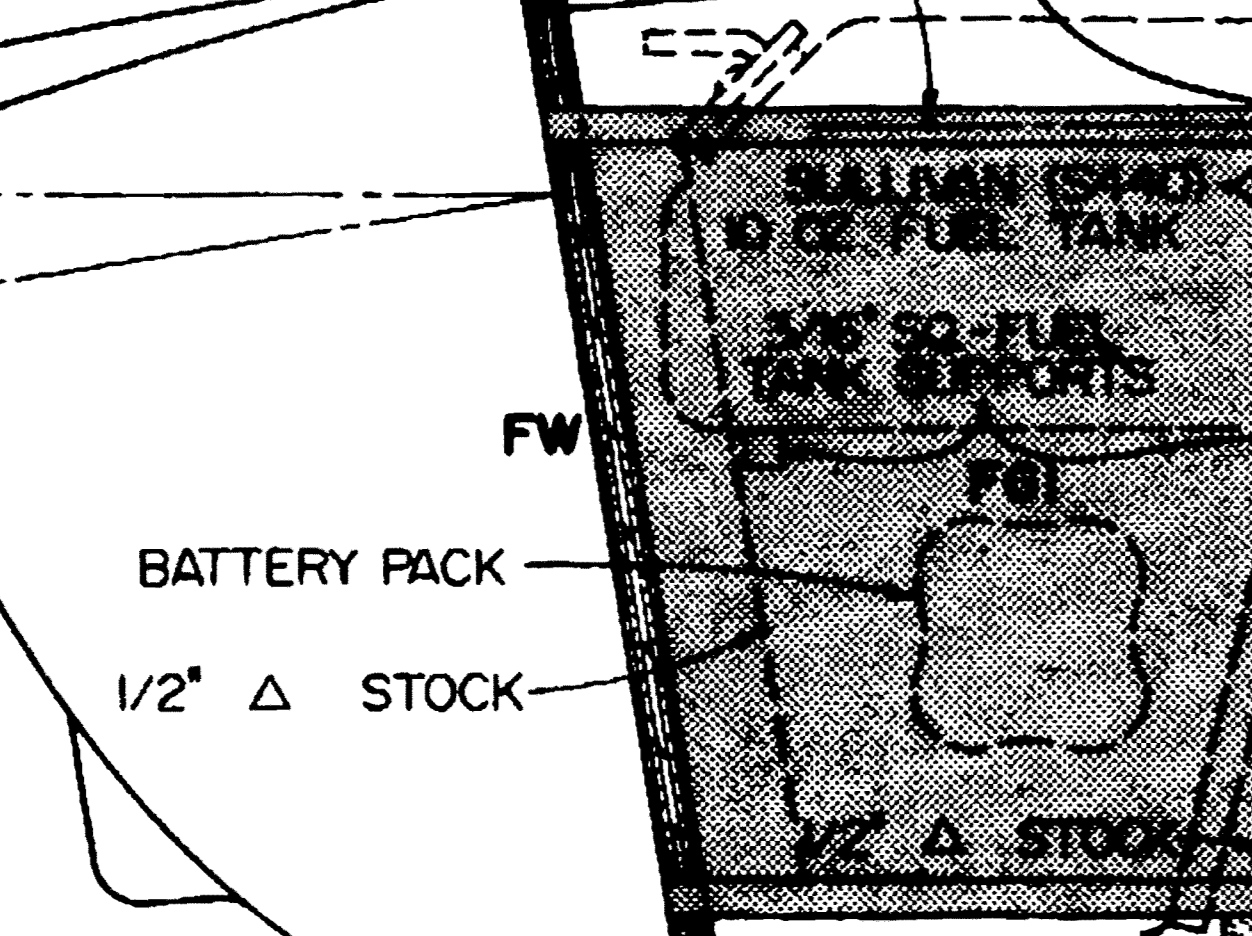
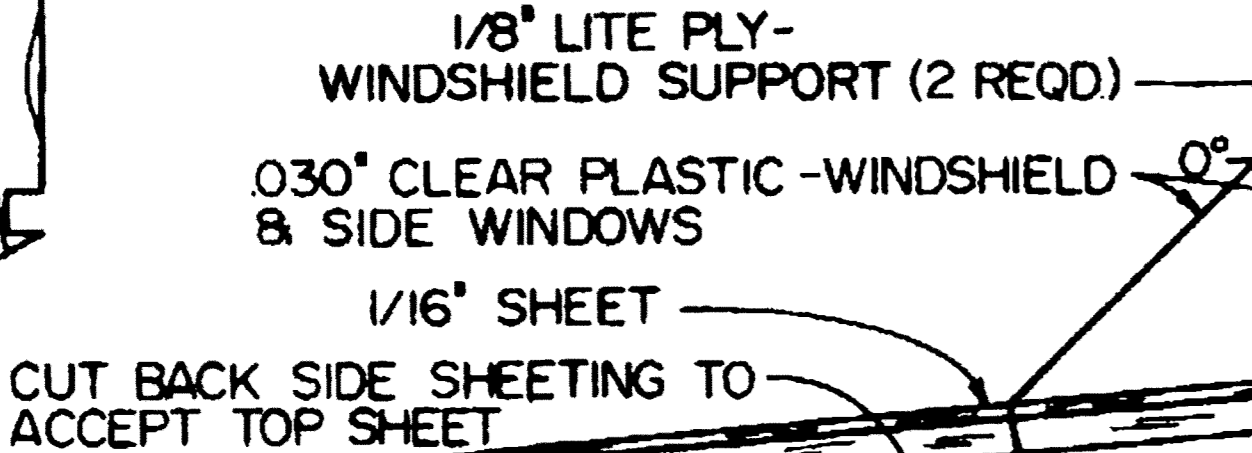
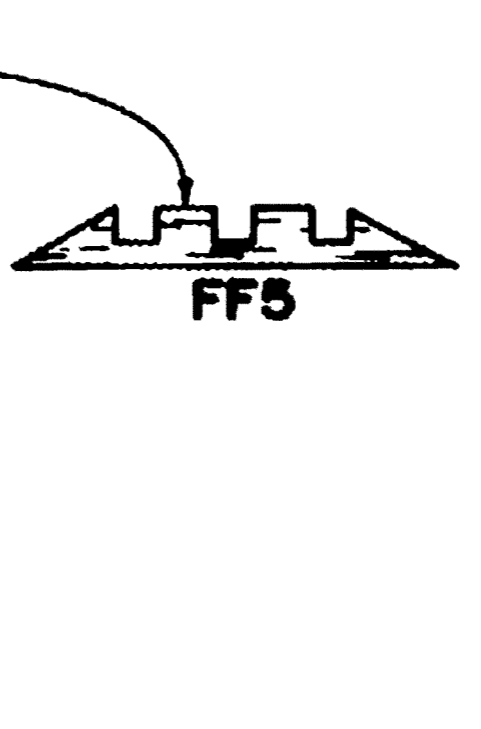
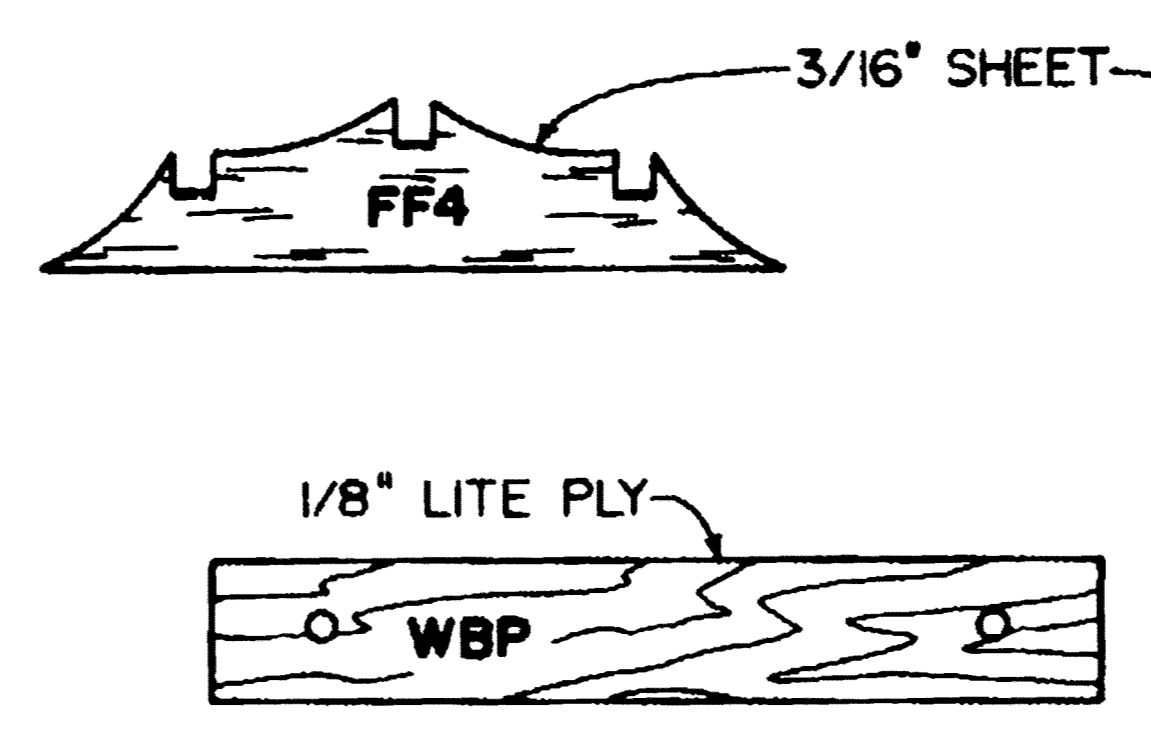
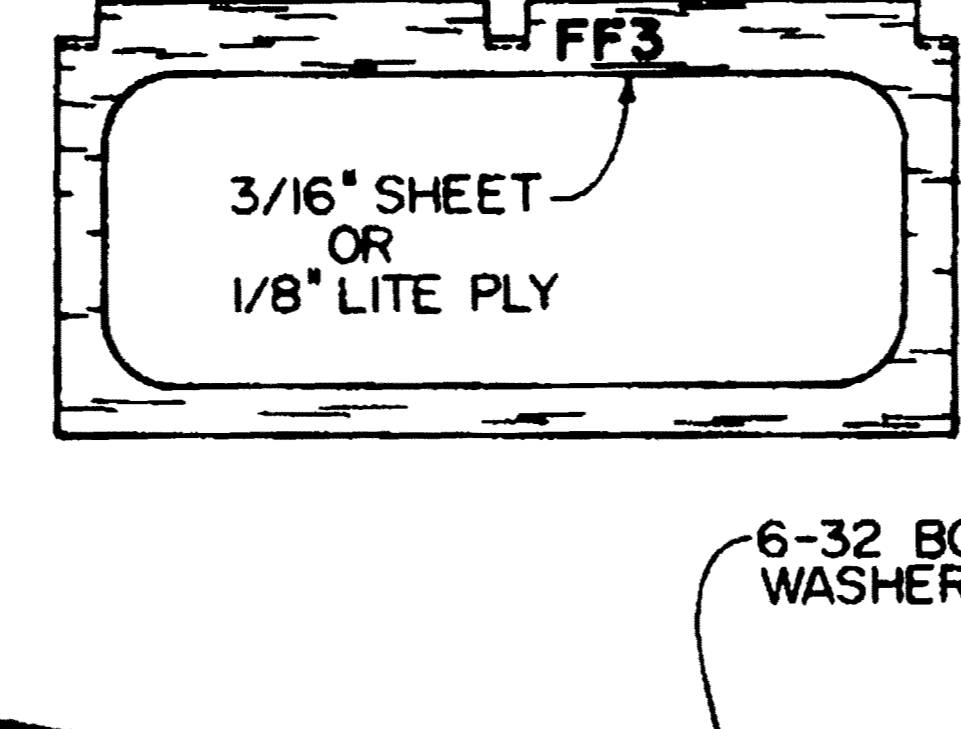
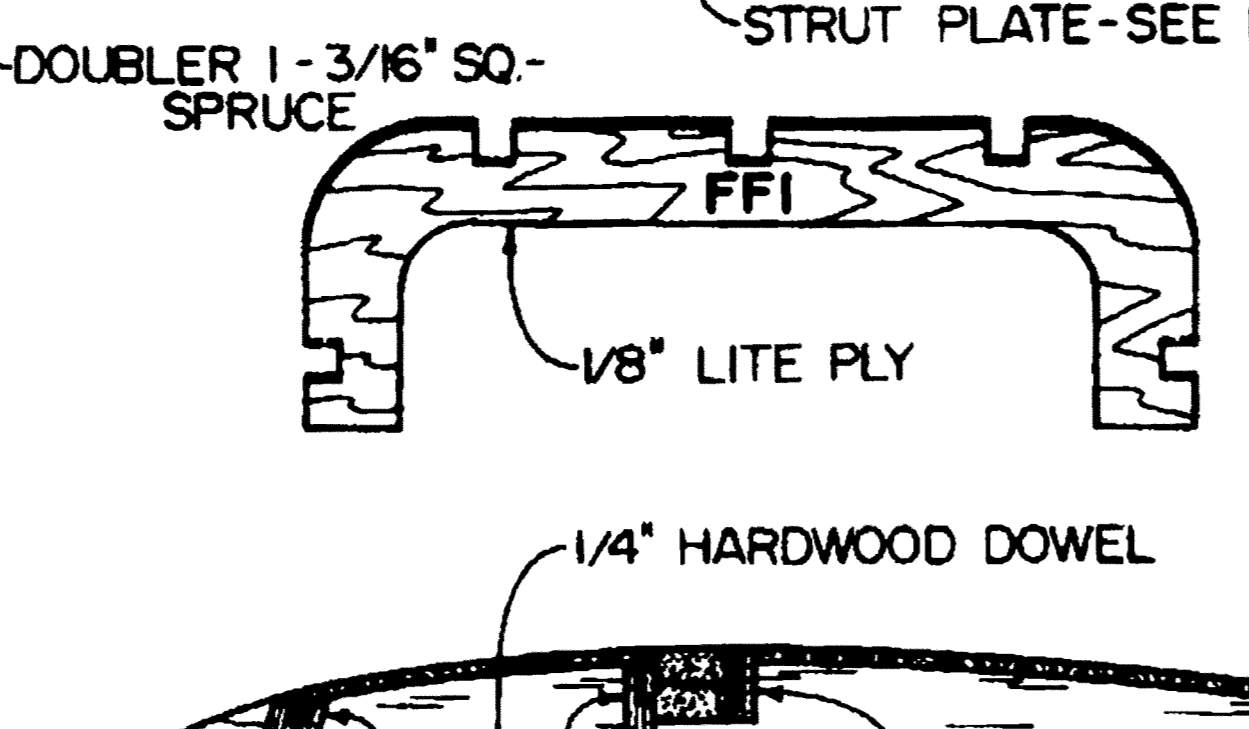
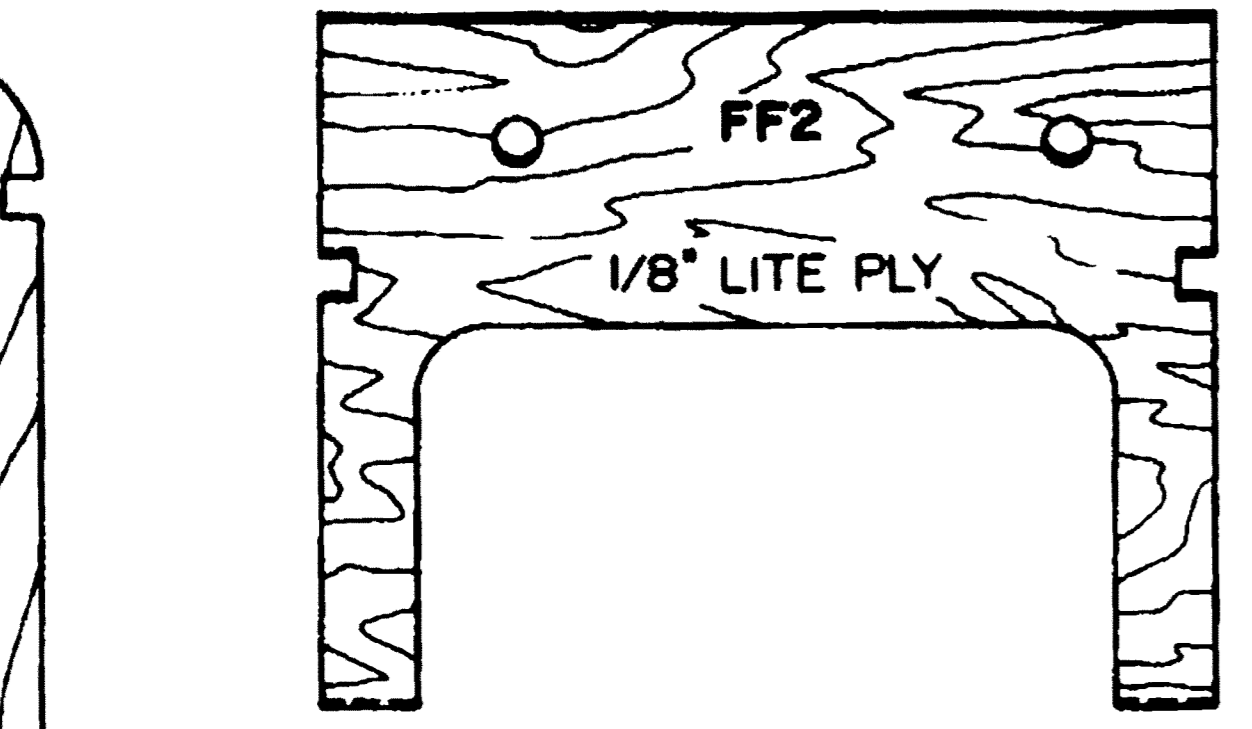
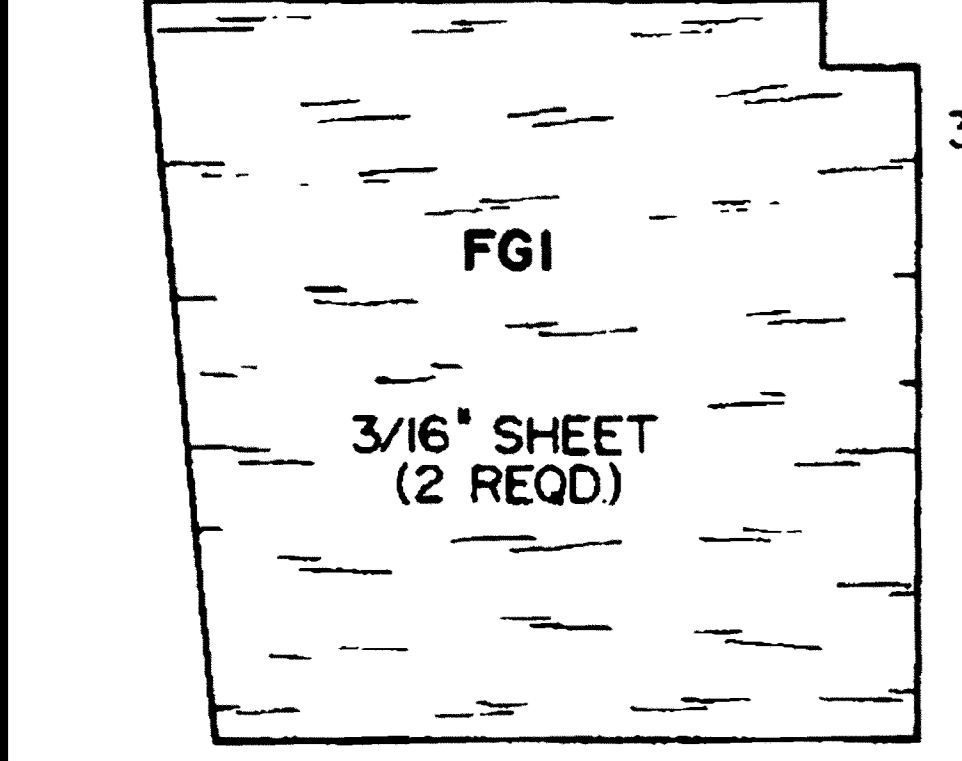
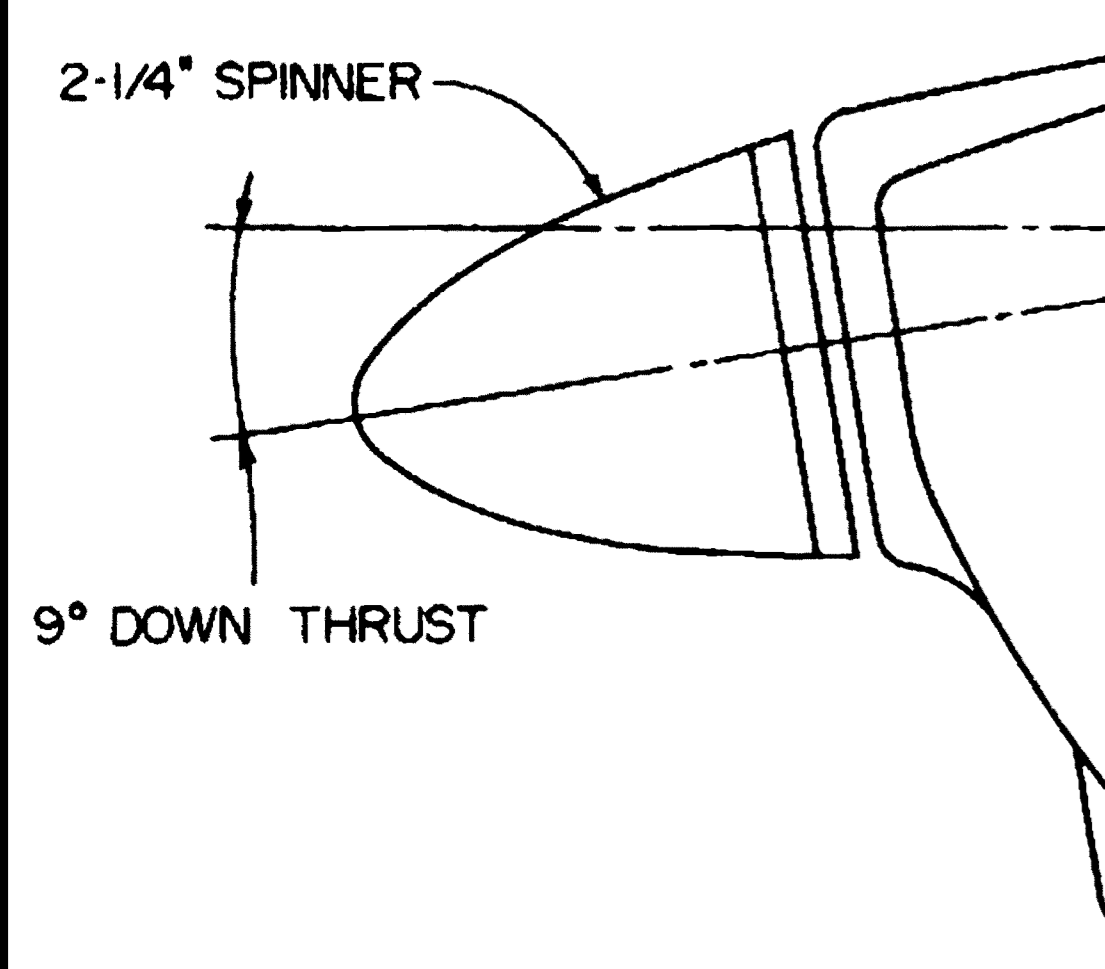
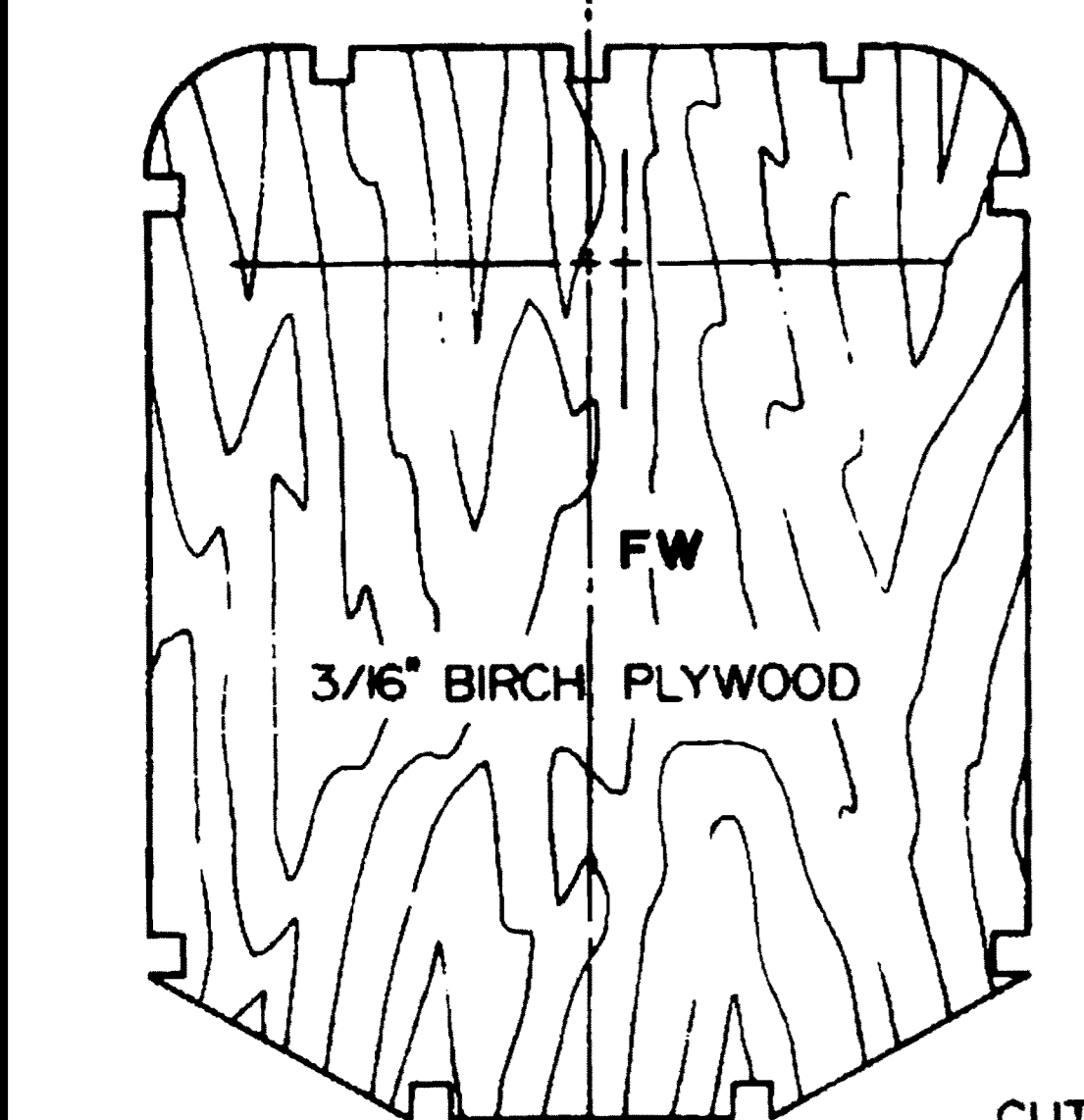
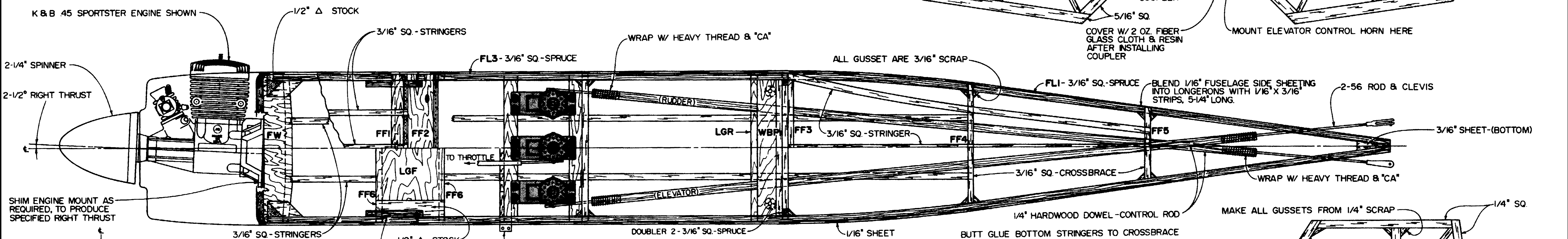


WING STRUT/FUSELAGE ATTACHMENT DETAIL
NO SCALE

CONTROL SURFACE TRAVEL LIMITS
AILERONS - 1" UP & 3/4" DOWN
ELEVATORS - 1" UP & DOWN
RUDDER - 1-1/2" LEFT & RIGHT



MAKE ALL GUSSETS FROM 5/16" SCRAP



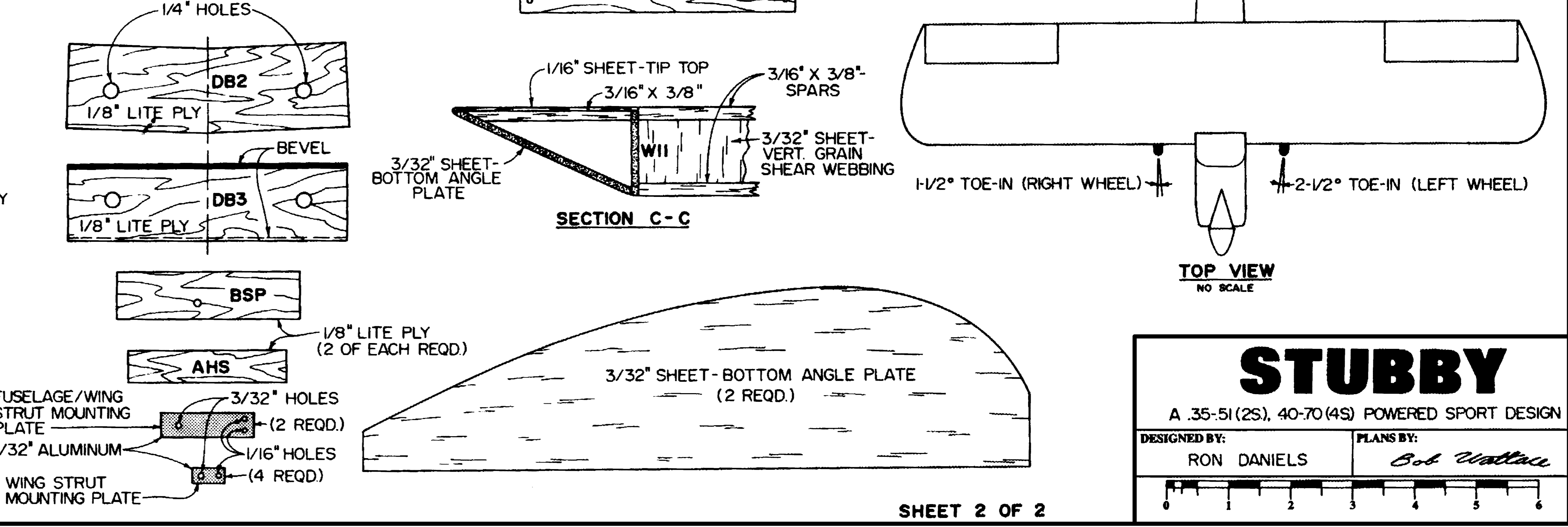
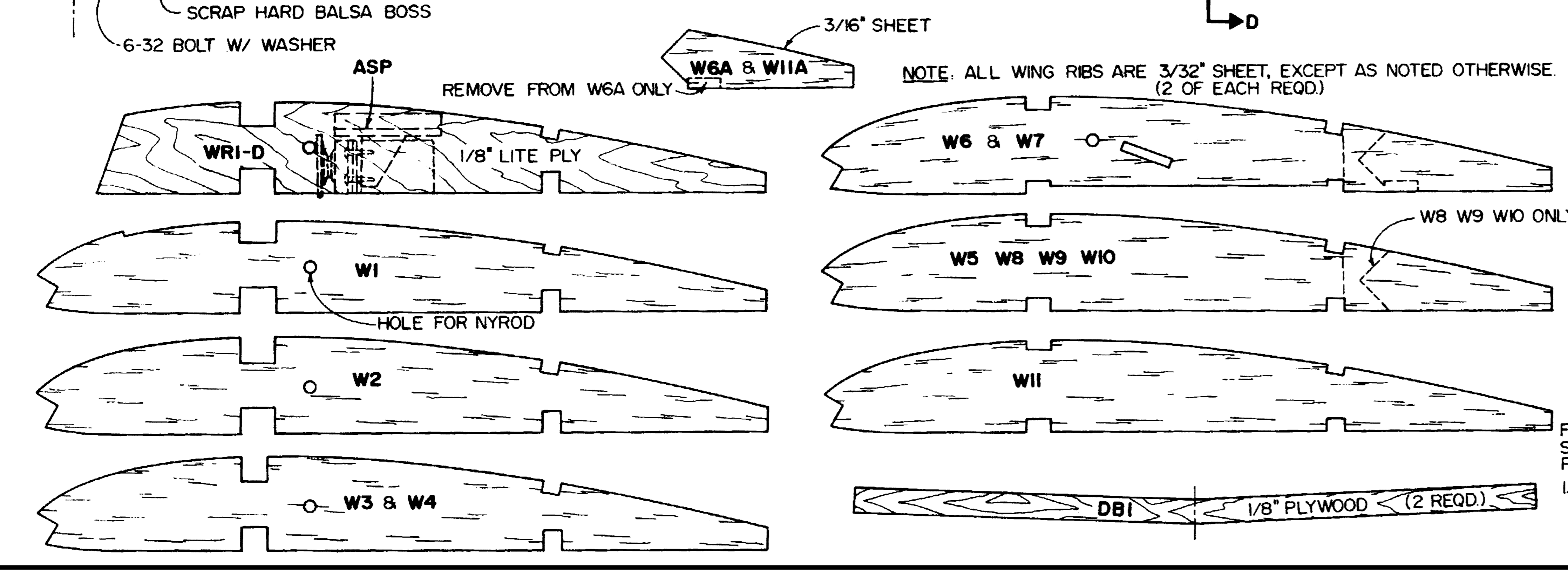
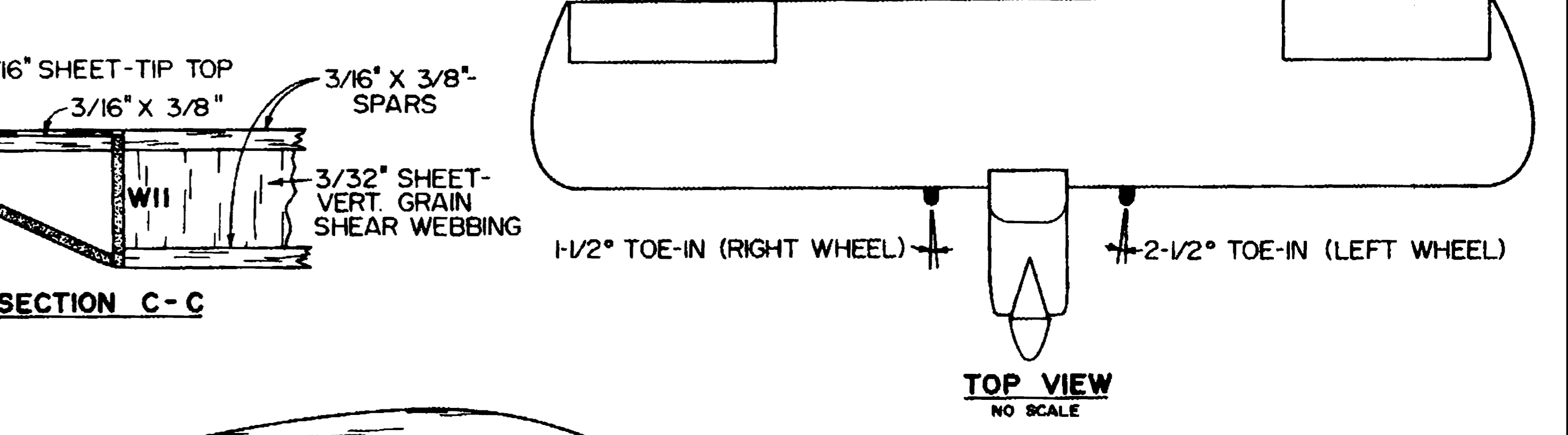
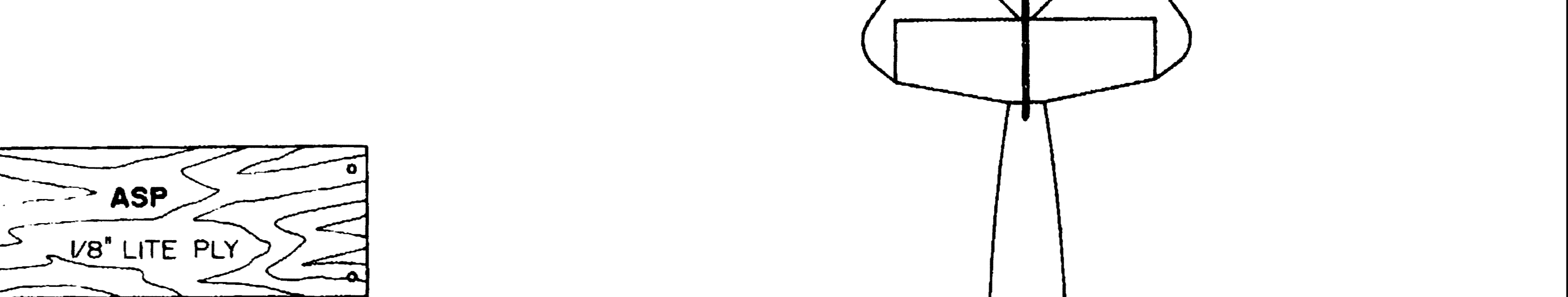
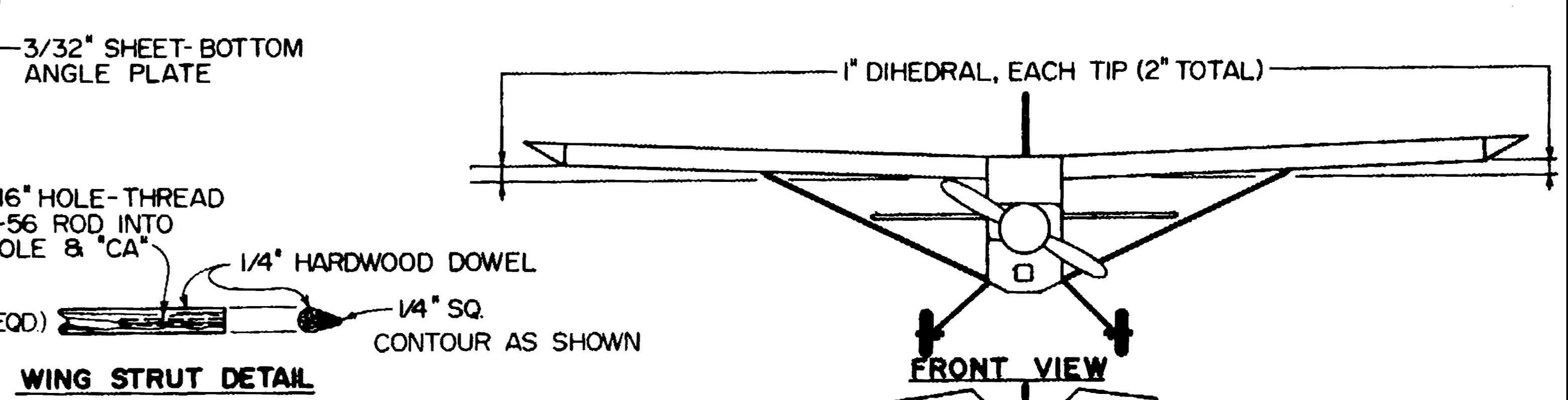
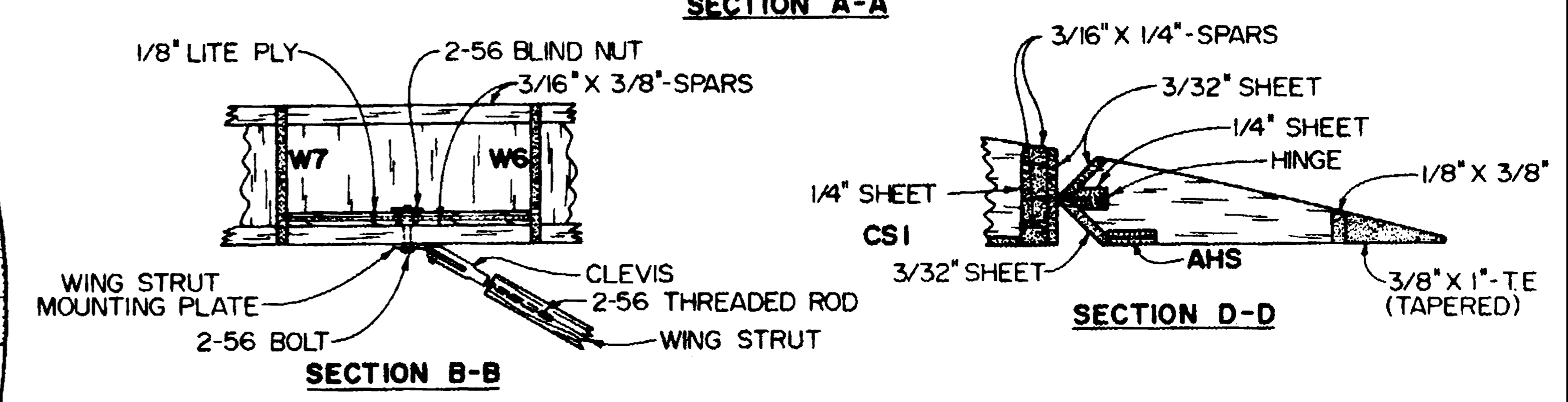
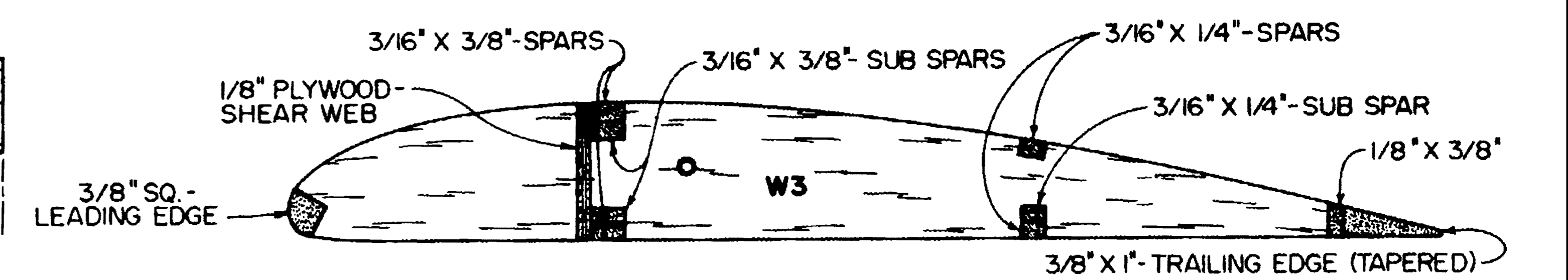
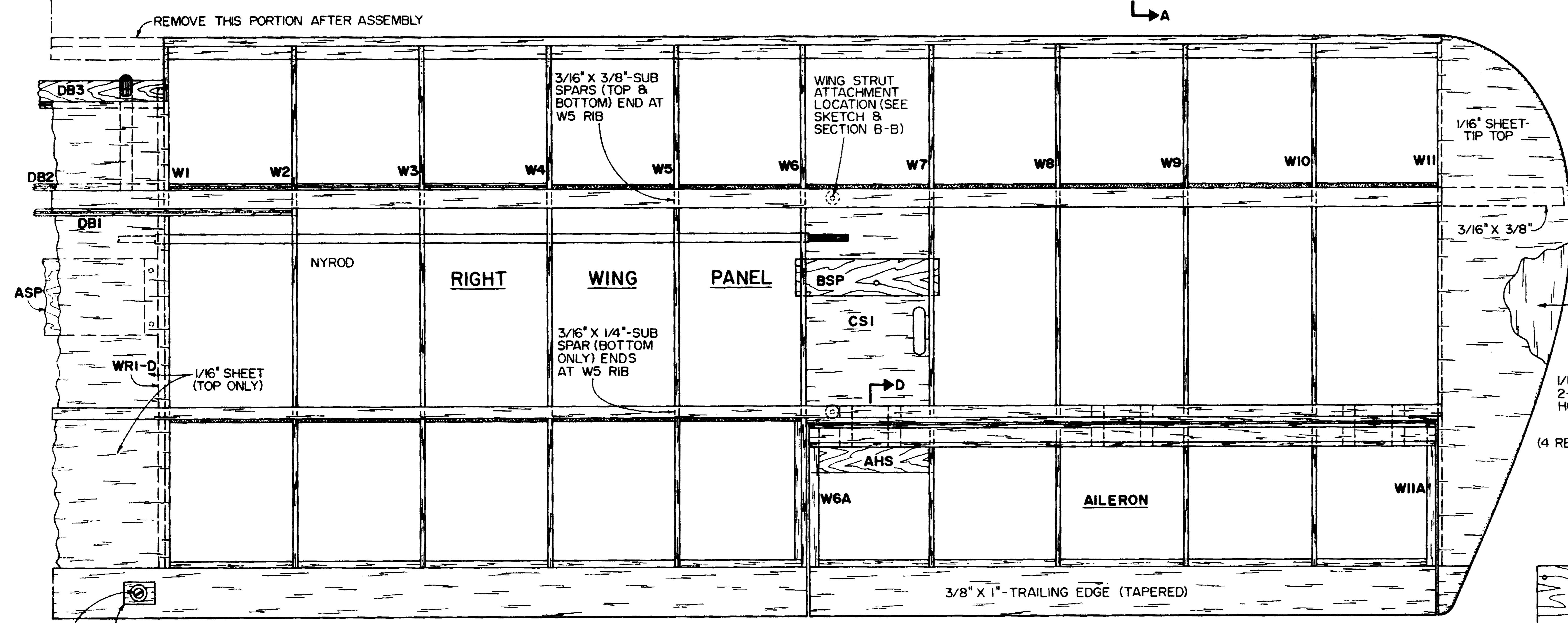
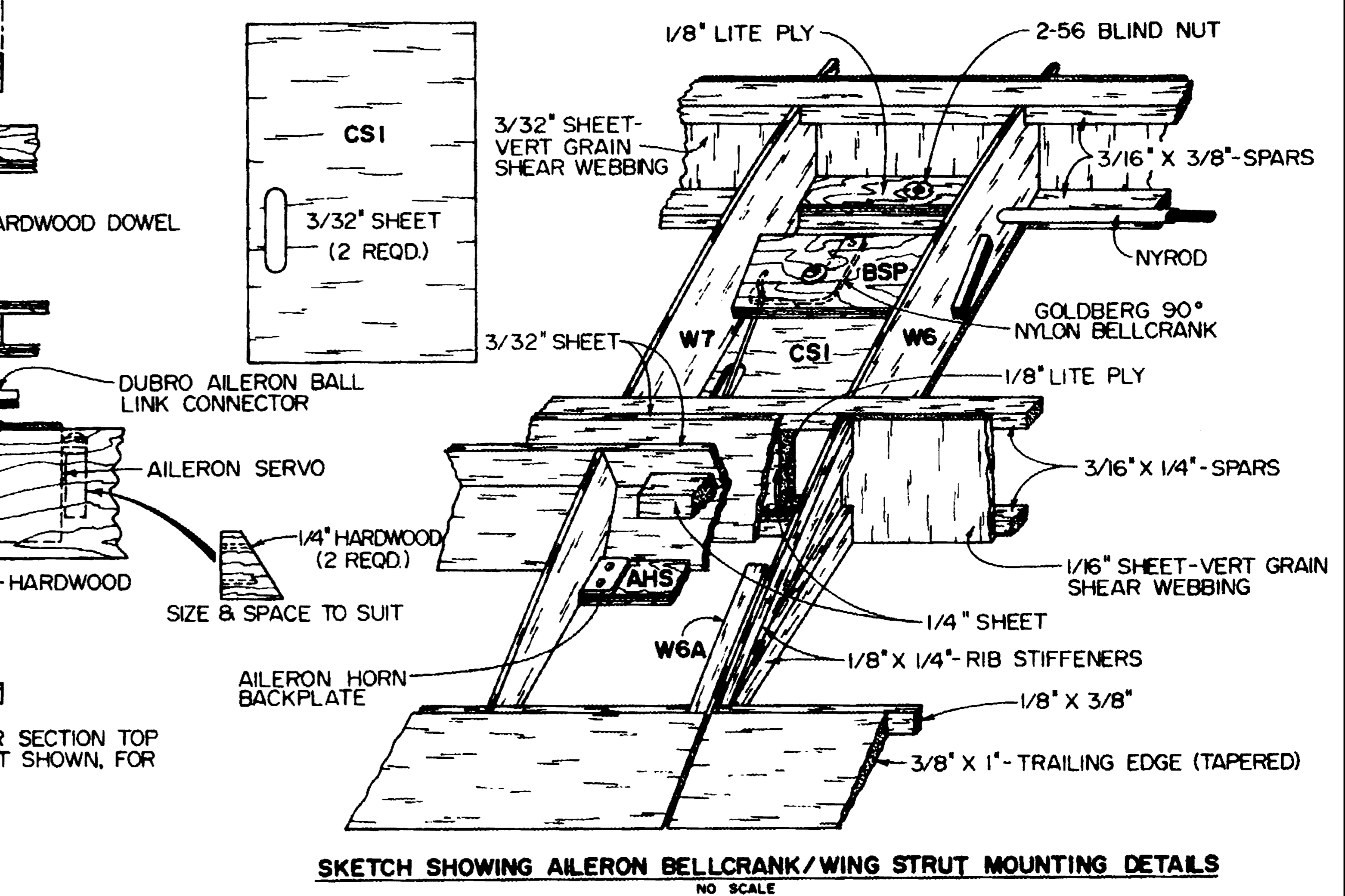
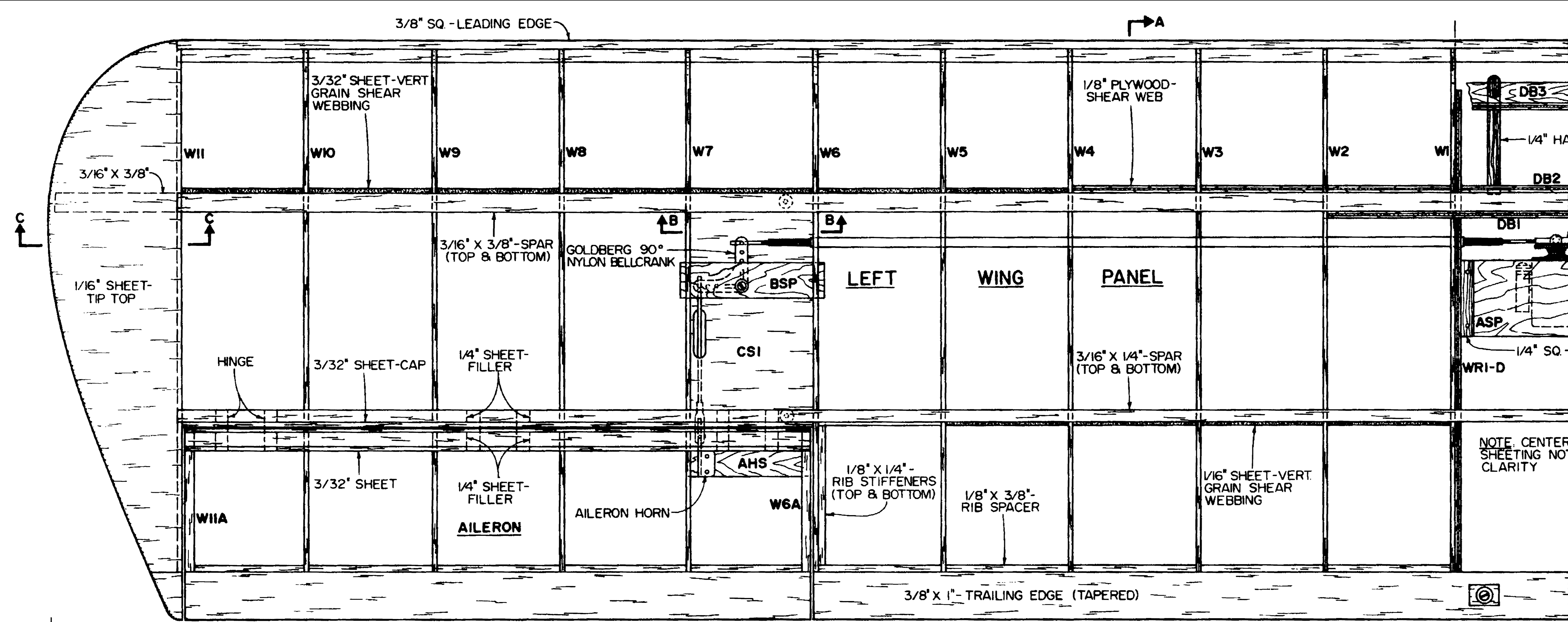
COWL OPTIONS: (1) FABRICATE FROM Balsa SHEET & BLOCKS, (2) SHAPE FOAM COWL FORM & LAY UP FIBER GLASS CLOTH & RESIN COWL, OR (3) A MOLDED COWL IS AVAILABLE FROM RON DANIELS, 15 TRADEWINDS PLACE, KITCHENER, ONTARIO, CANADA N2N 3G4

NOTE: LEFT SIDE FUSELAGE SHEETING NOT SHOWN, FOR CLARITY.

REINFORCE, BOTH SIDES, WITH 2-4 OUNCE FIBERGLASS CLOTH & RESIN

NOTE: ALL WOOD IS Balsa, UNLESS NOTED OTHERWISE.

STUBBY
A 35-51(2S), 40-70(4S) POWERED SPORT DESIGN
DESIGNED BY: RON DANIELS
PLANS BY: *Bob Walker*



STUBBY
A .35-51(2S), 40-70(4S) POWERED SPORT DESIGN
DESIGNED BY: RON DANIELS
PLANS BY: *Bob Wallace*