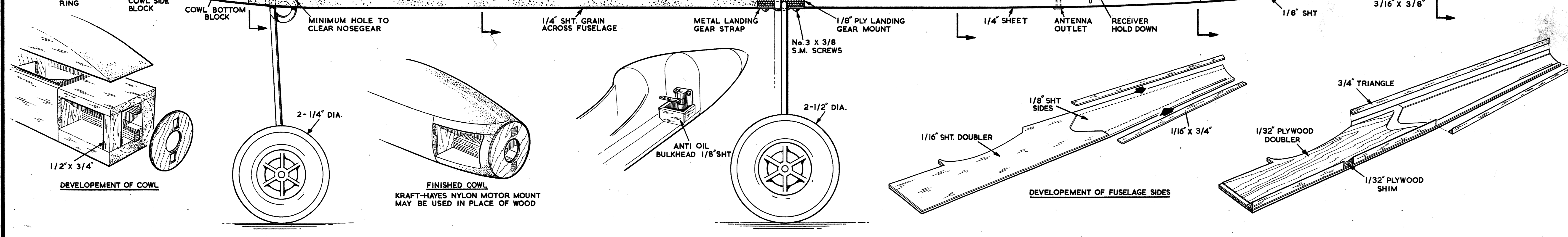
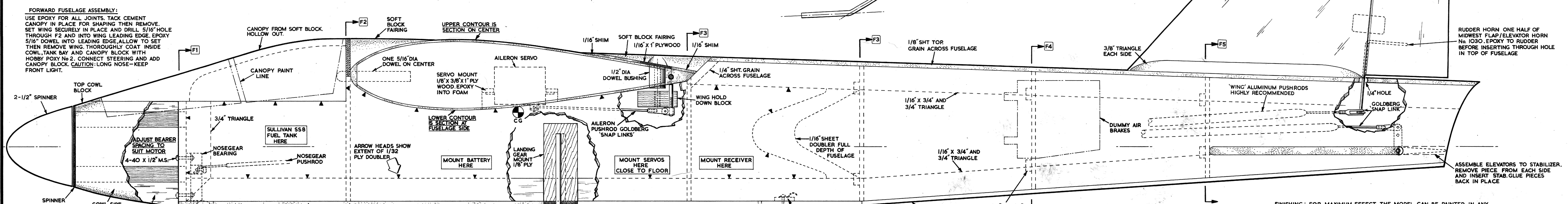
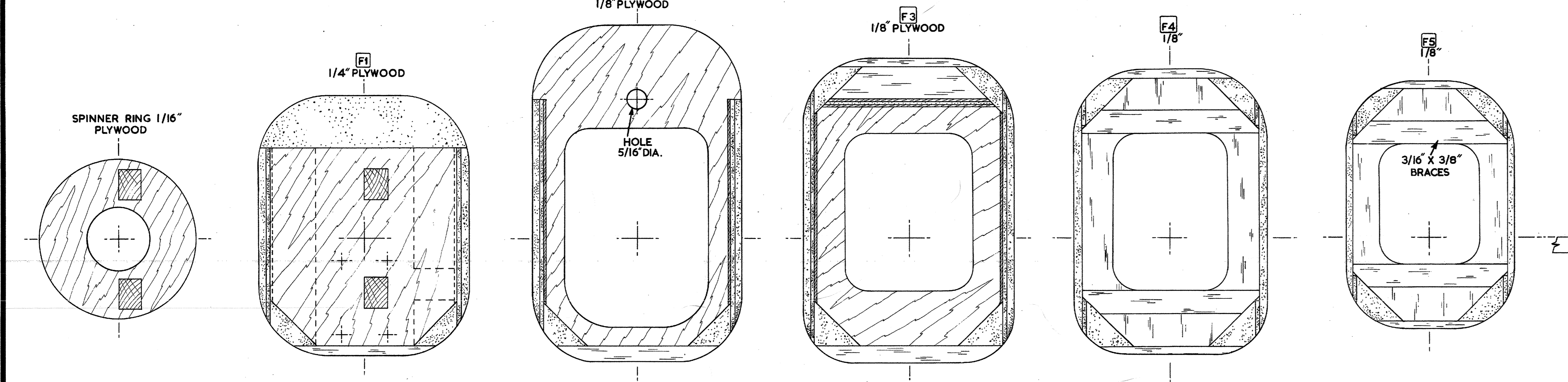
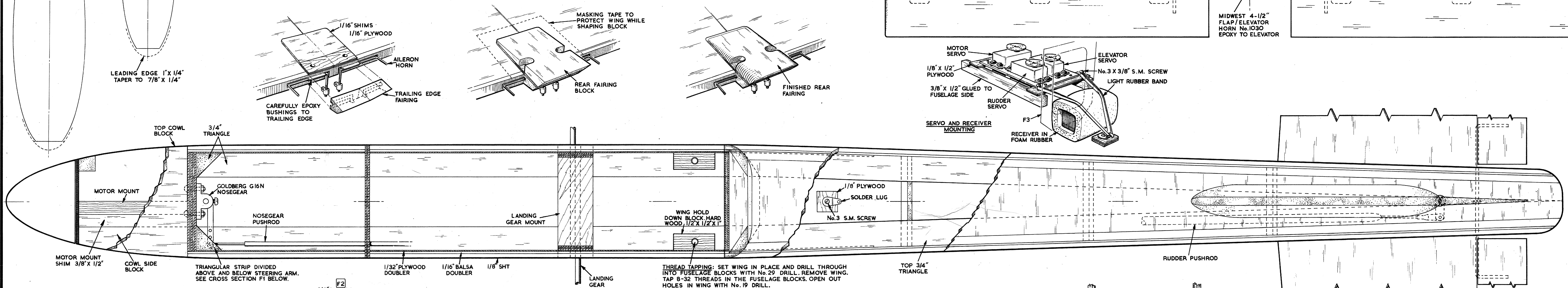
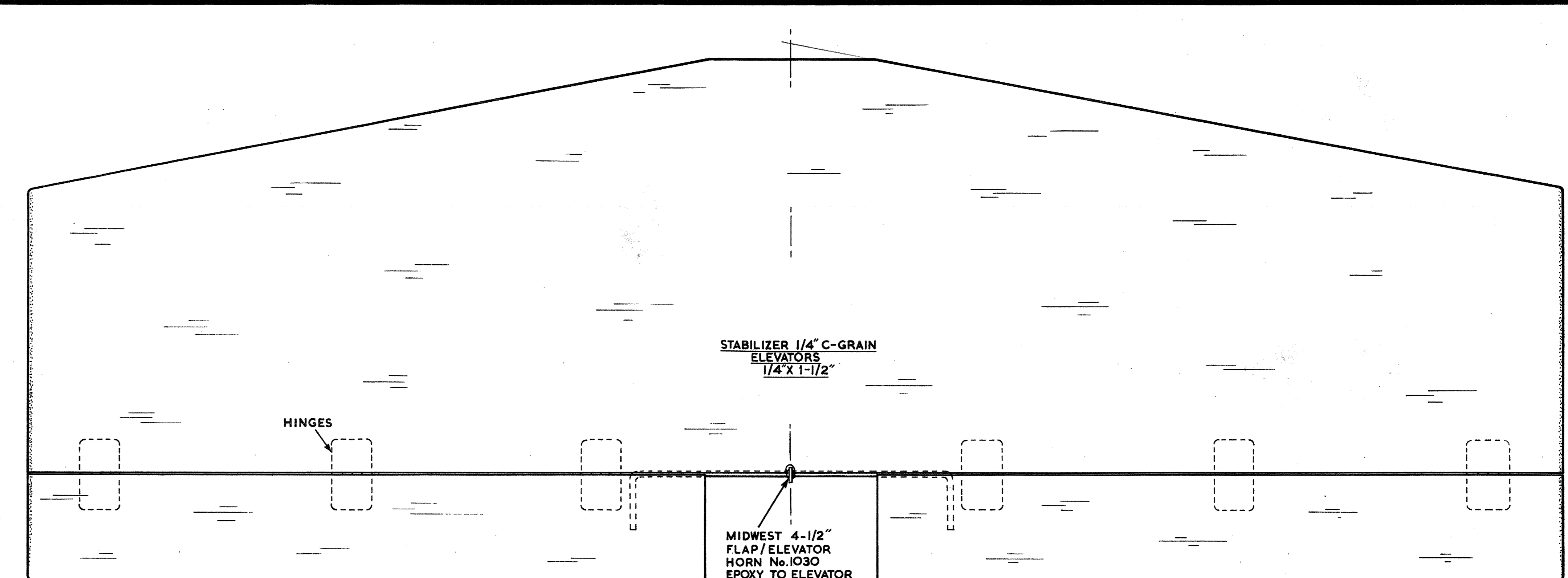
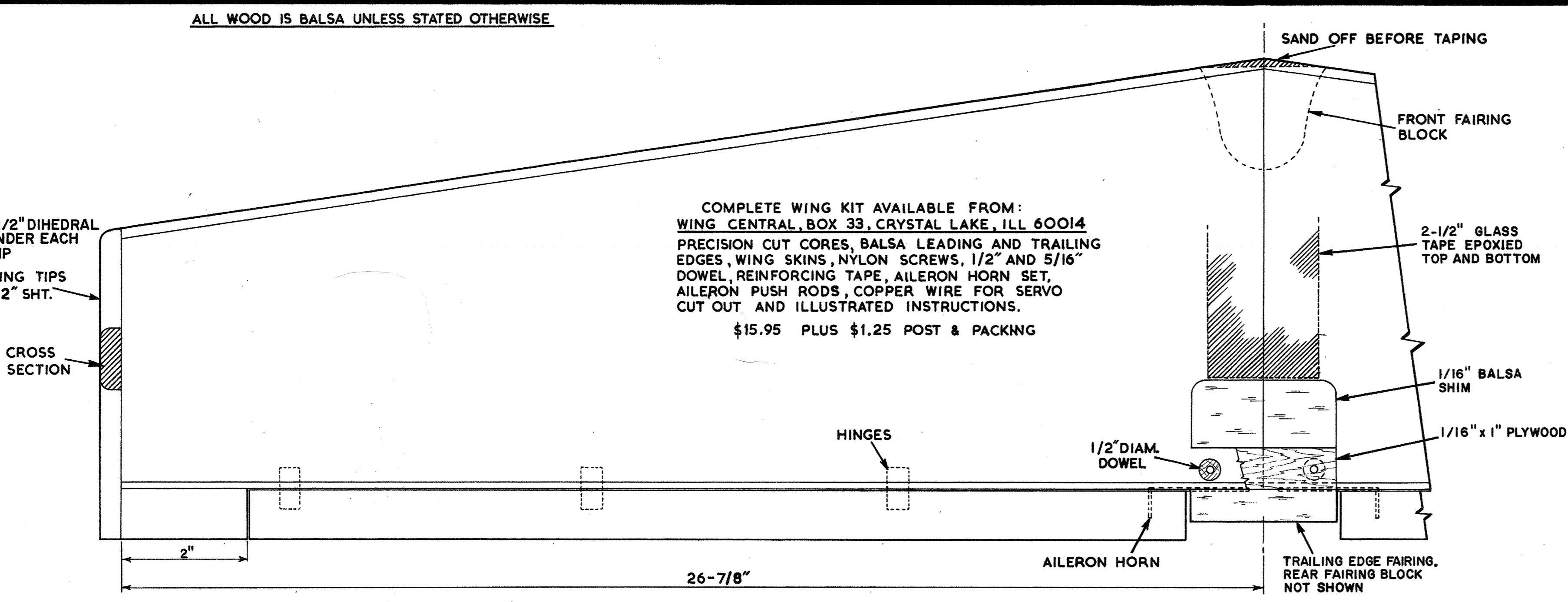
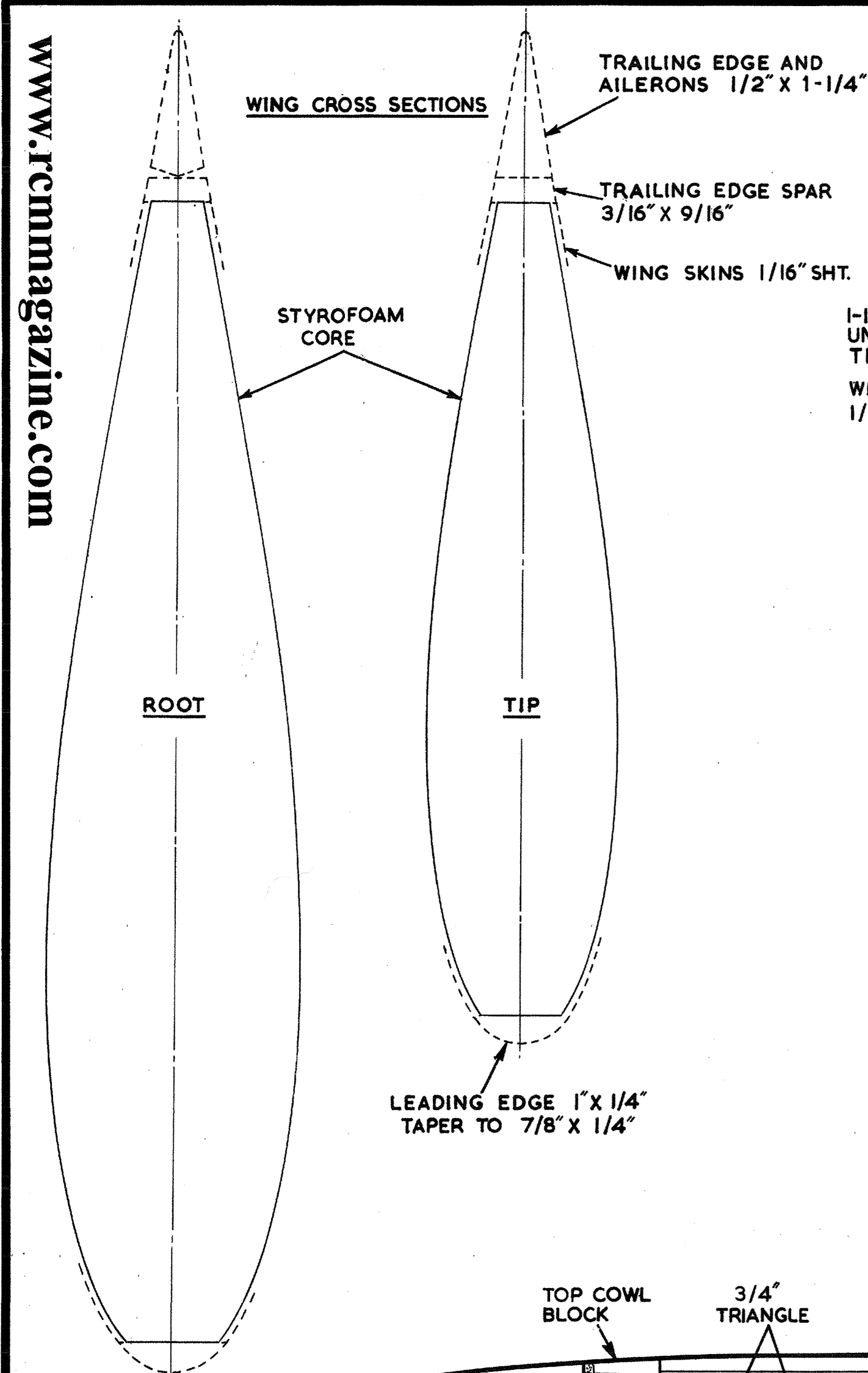


ALL WOOD IS BALSA UNLESS STATED OTHERWISE



**strikemaster**  
 DESIGNED AND DRAWN BY JIM NEWMAN

ENGINES .40 CU. IN.  
 SPAN 55 IN.  
 AREA 570 SQ. IN.

FINISHING: FOR MAXIMUM EFFECT THE MODEL CAN BE PAINTED IN ANY MILITARY COLOR SCHEME. MAGAZINE PHOTOS OR THE PROFILE PUBLICATIONS PROVIDE USEFUL REFERENCES.  
 BOMBS CAN BE MADE BY GLUING ESTES ROCKET NOSES TOGETHER AND SANDING TO BLEND. USE NOSE CONE No. BNC-55F FOR BOMB FRONT, No. BNC-55AC FOR REAR. CUT FINS FROM 1/32" PLYWOOD—FOUR PER BOMB.

0 1 2 3 4 5 6