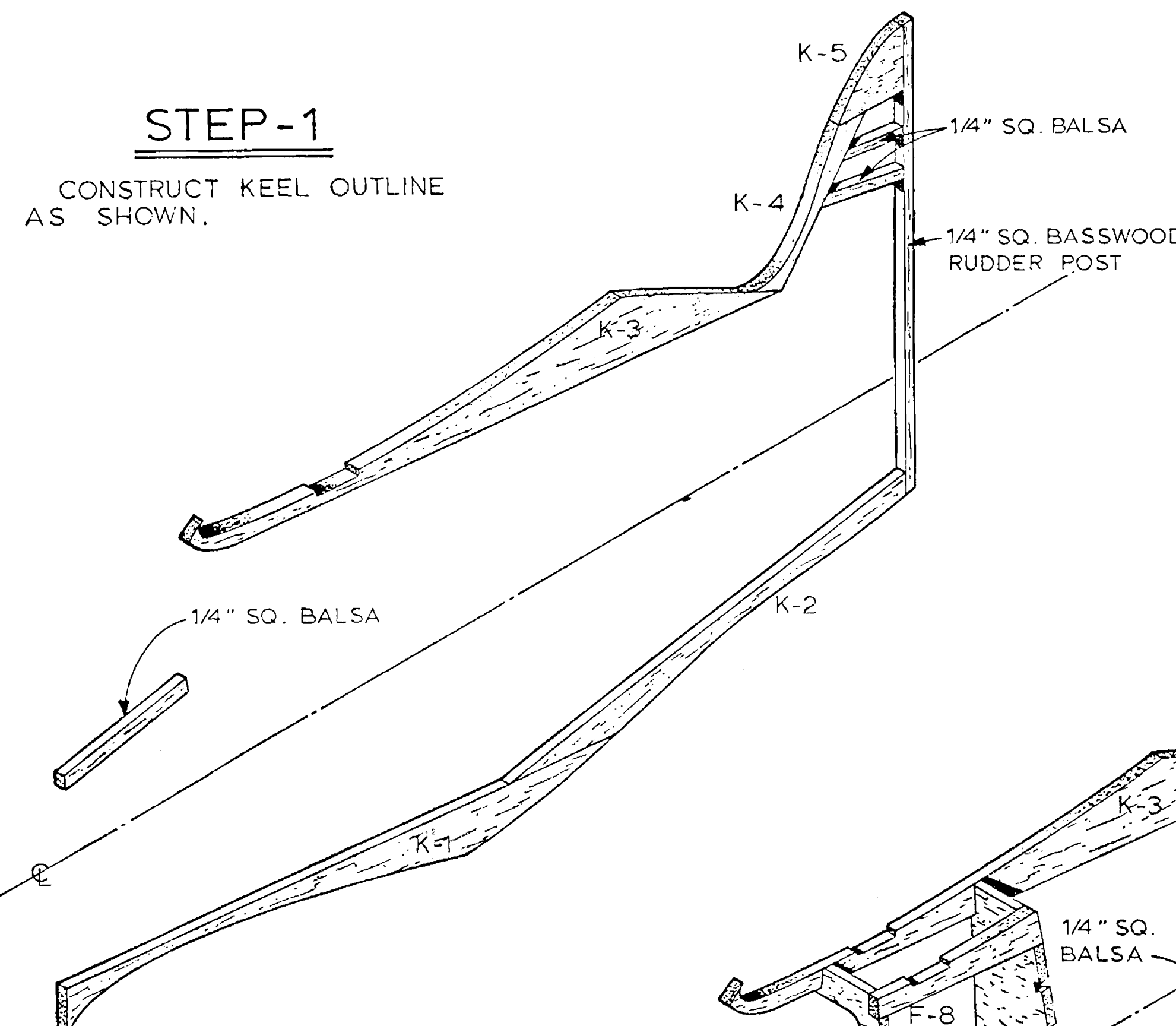


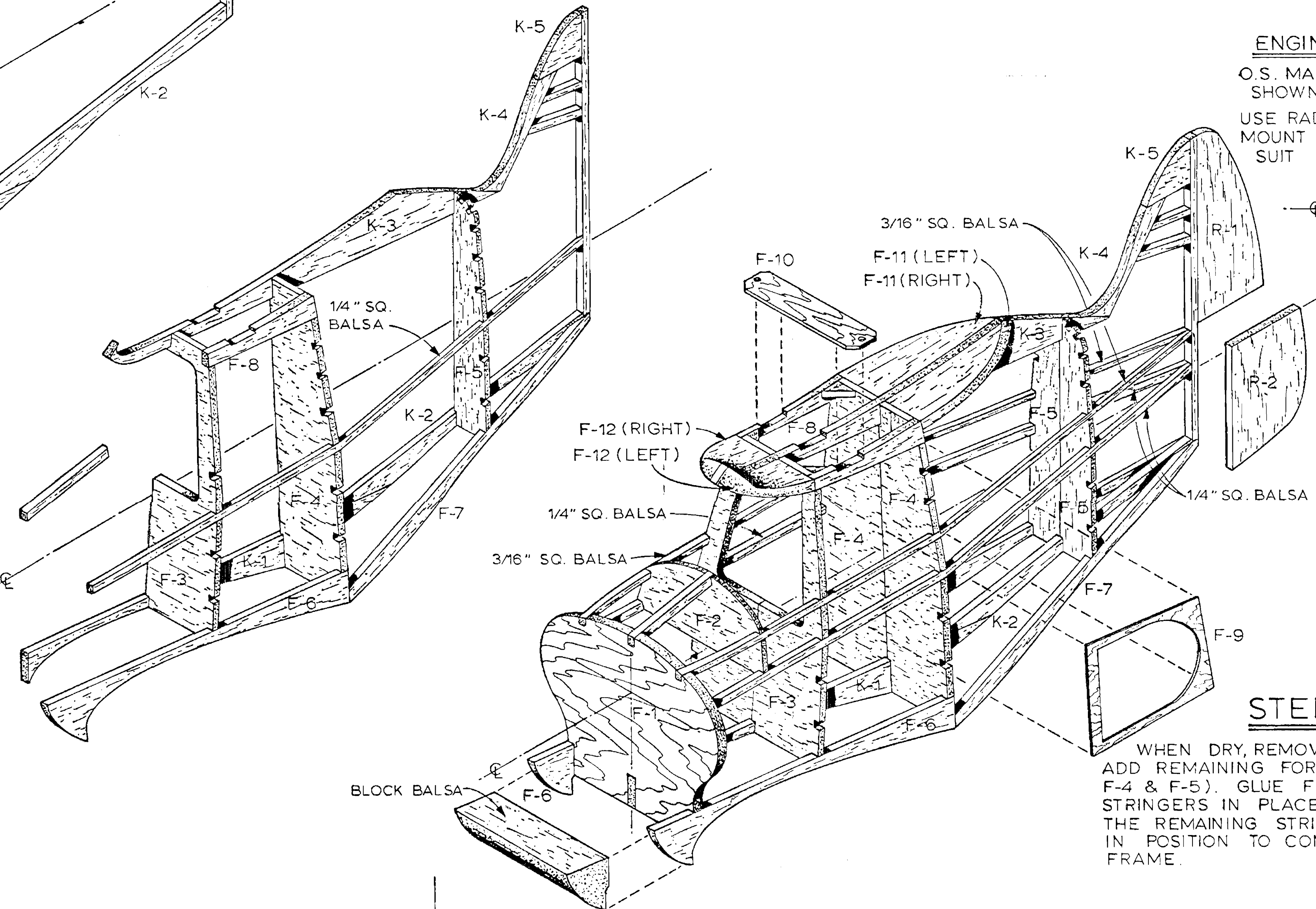
**STEP-1**

CONSTRUCT KEEL OUTLINE AS SHOWN.



**STEP-2**

ADD FORMERS F-3, F-4, & F-5 TO KEEL. WHEN DRY CEMENT F-8, F-7, & F-6 IN PLACE. ALSO GLUE 1/4" SQ Balsa STRINGER IN PLACE AS SHOWN.

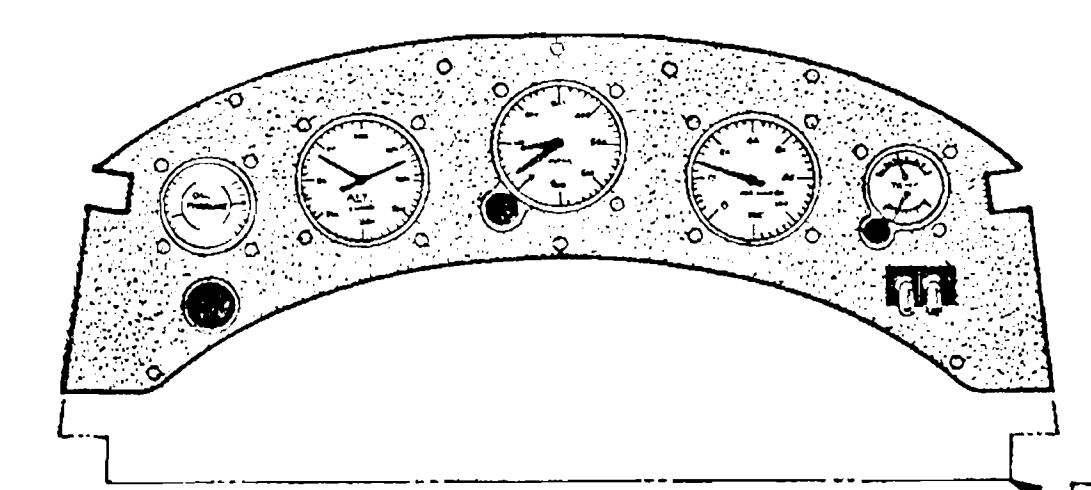


**FUSELAGE CONSTRUCTION DETAIL**

**NOTE:**  
SEMI-KIT AVAILABLE  
FORMERS & RIBS---\$50.00 PPD.  
FIBERGLASS COWL---\$10.00 PPD.  
ADD \$3.00 FOR AIRMAIL.  
ORDER FROM:  
R.C. SWEITZER ENTERPRISES  
P.O. BOX 834  
HILLSBORO, OREGON, 97123  
PHONE (503)-640-5102

**INSTRUMENT PANEL**

ATTACH TO FORMER F-2



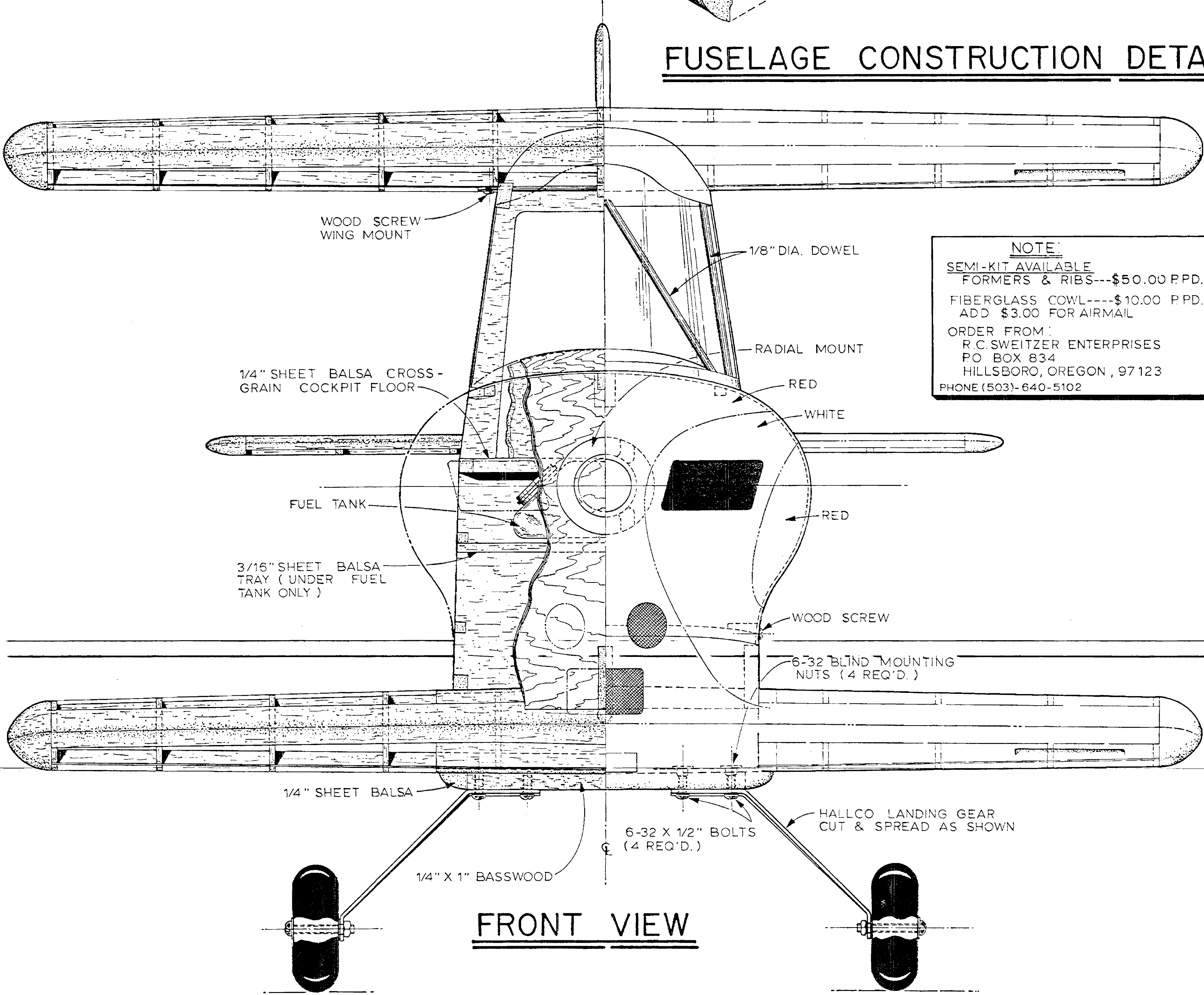
**ENGINE**

O.S. MAX .25 SHOWN  
USE RADIAL MOUNT TO SUIT

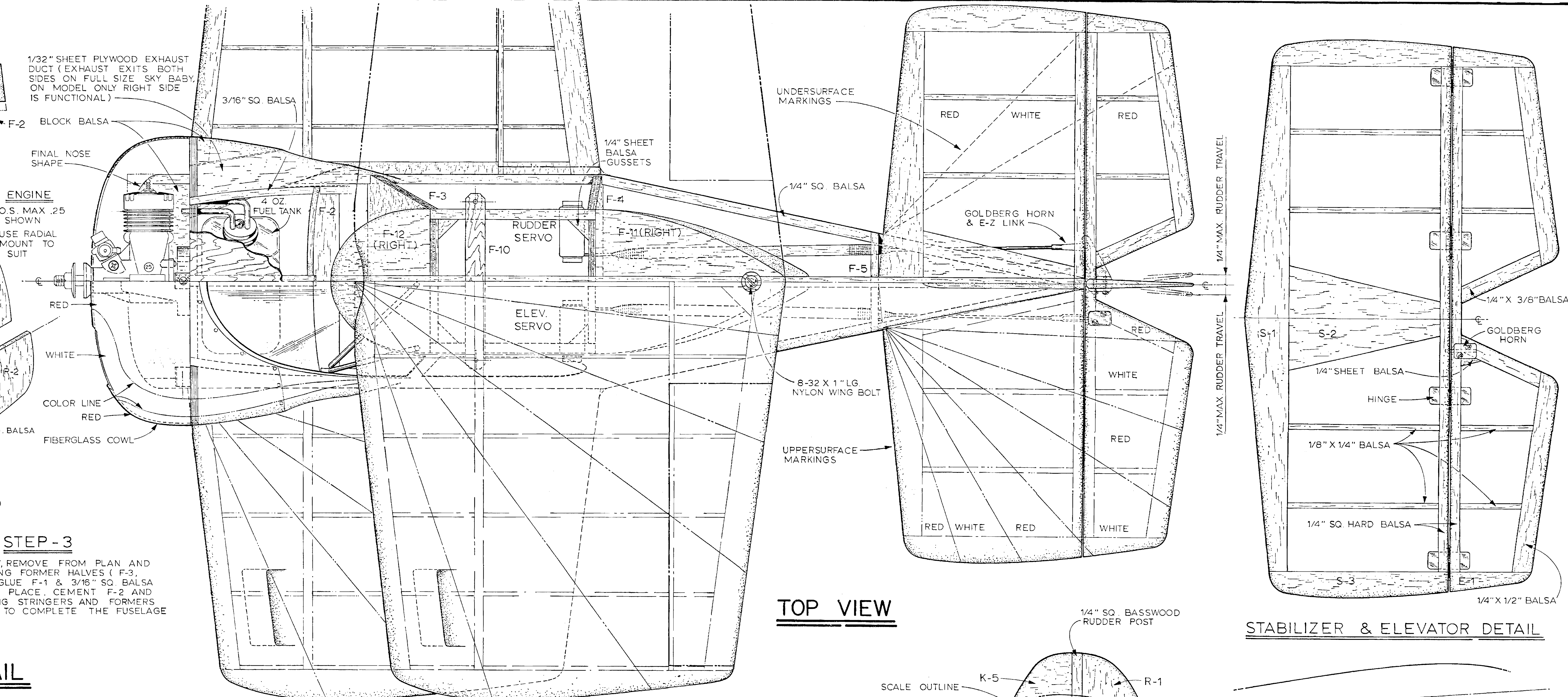
**STEP-3**

WHEN DRY, REMOVE FROM PLAN AND ADD REMAINING FORMER HALVES (F-3, F-4 & F-5). GLUE F-1 & 3/16" SQ Balsa STRINGERS IN PLACE. CEMENT F-2 AND THE REMAINING STRINGERS AND FORMERS IN POSITION TO COMPLETE THE FUSELAGE FRAME.

**NOTE:**  
COCKPIT INTERIOR COLOR-LT BLUE

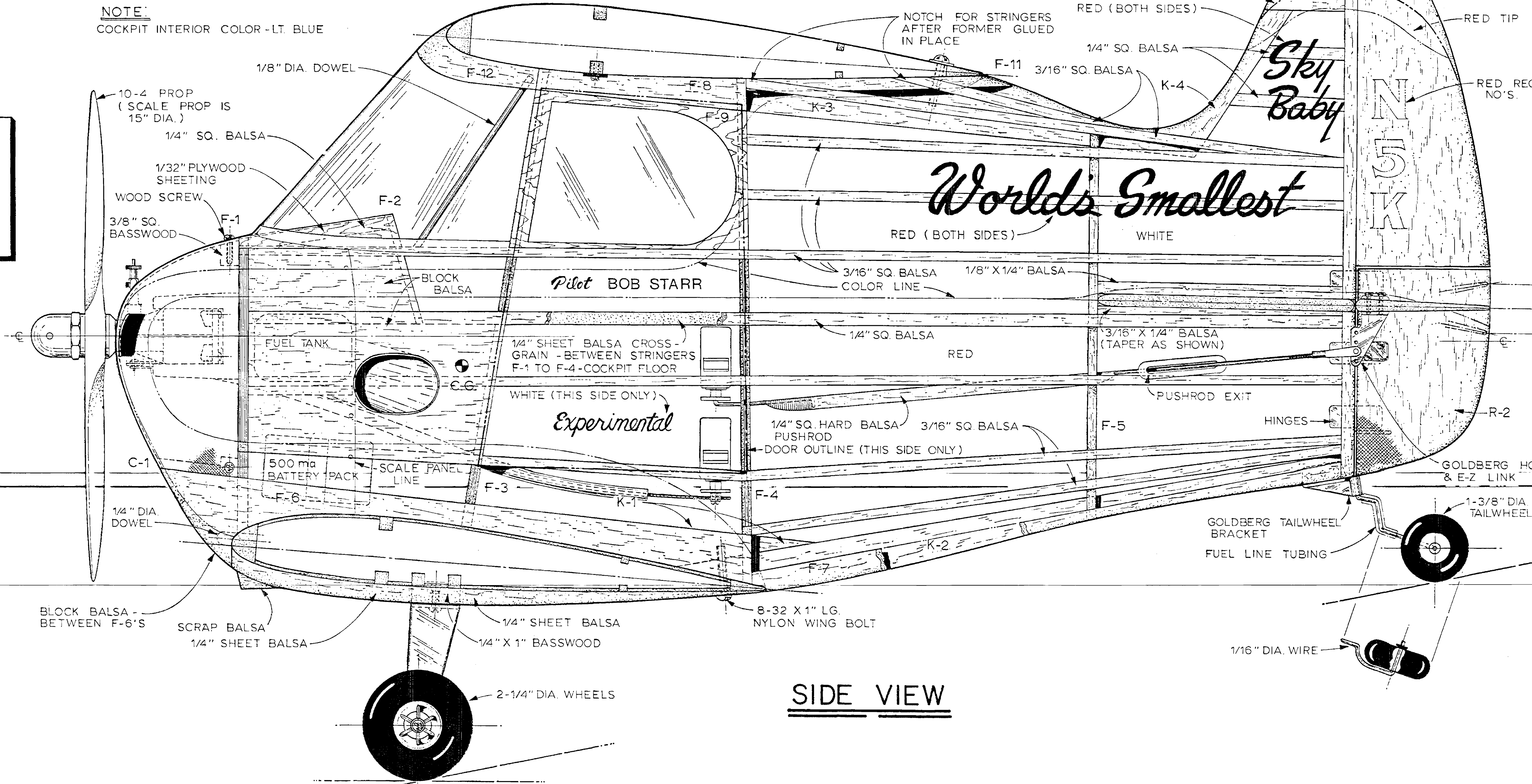
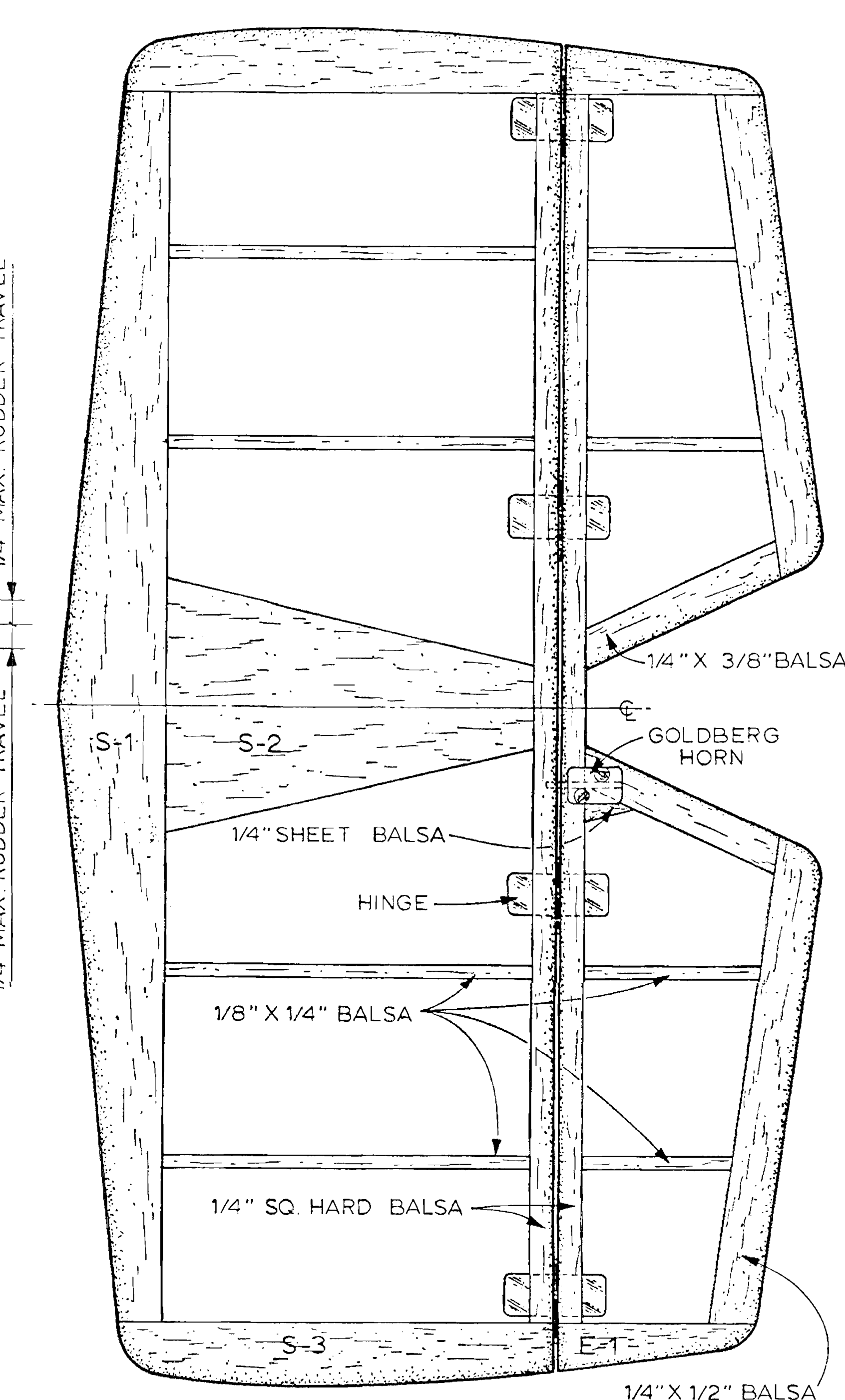


**FRONT VIEW**

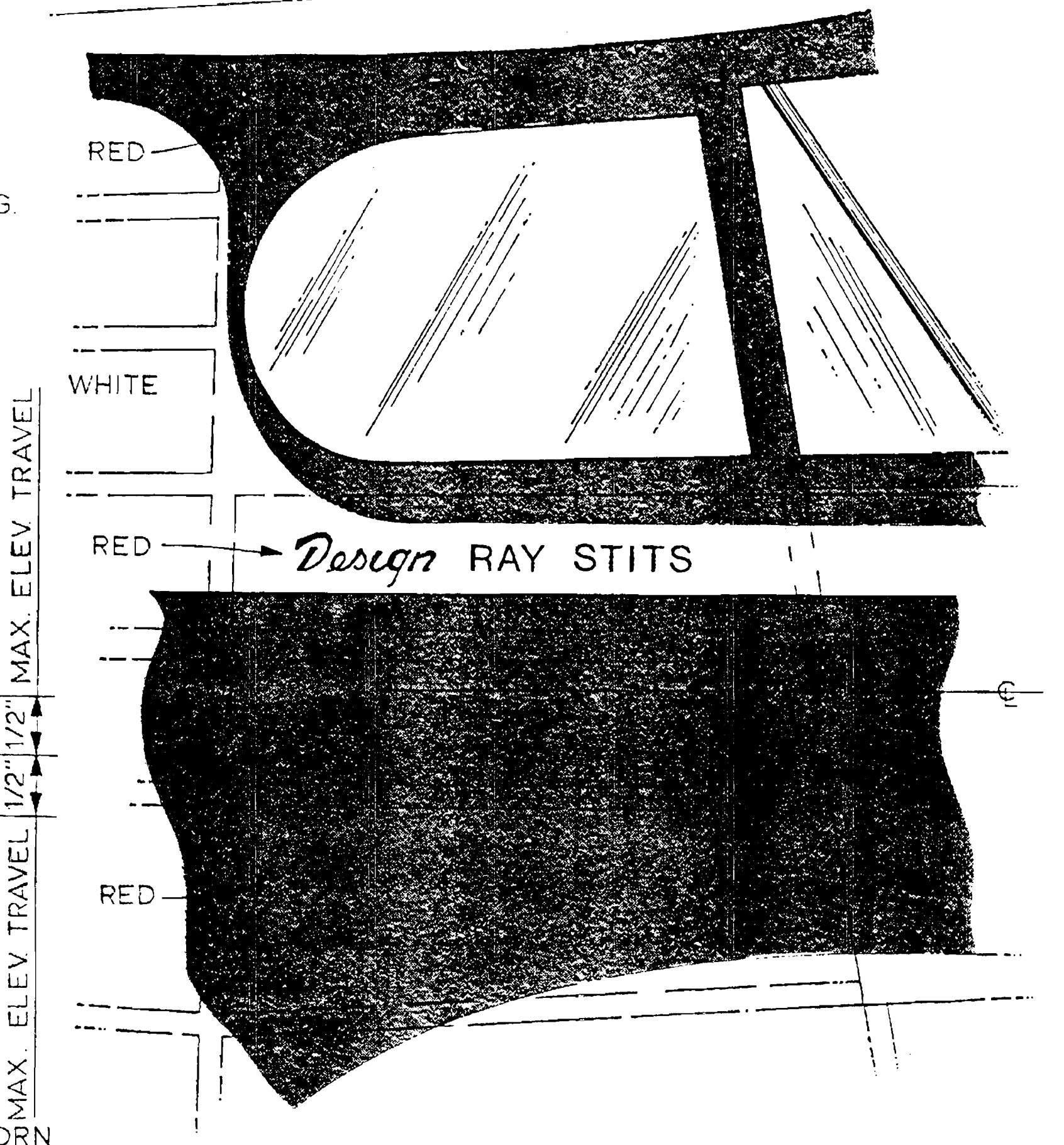


**TOP VIEW**

**STABILIZER & ELEVATOR DETAIL**



**SIDE VIEW**



**COCKPIT - RIGHT SIDE - MARKING DETAIL**

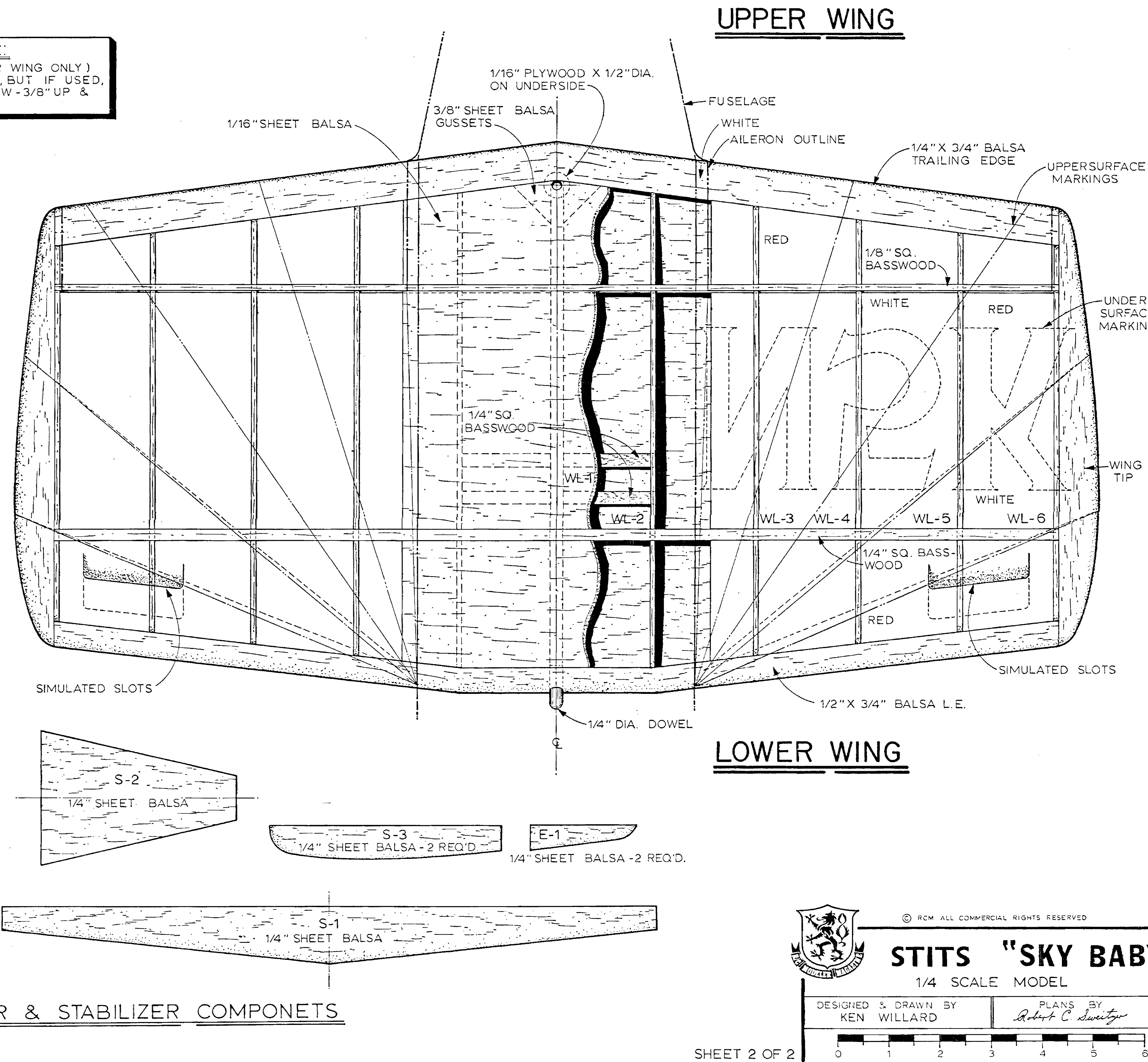
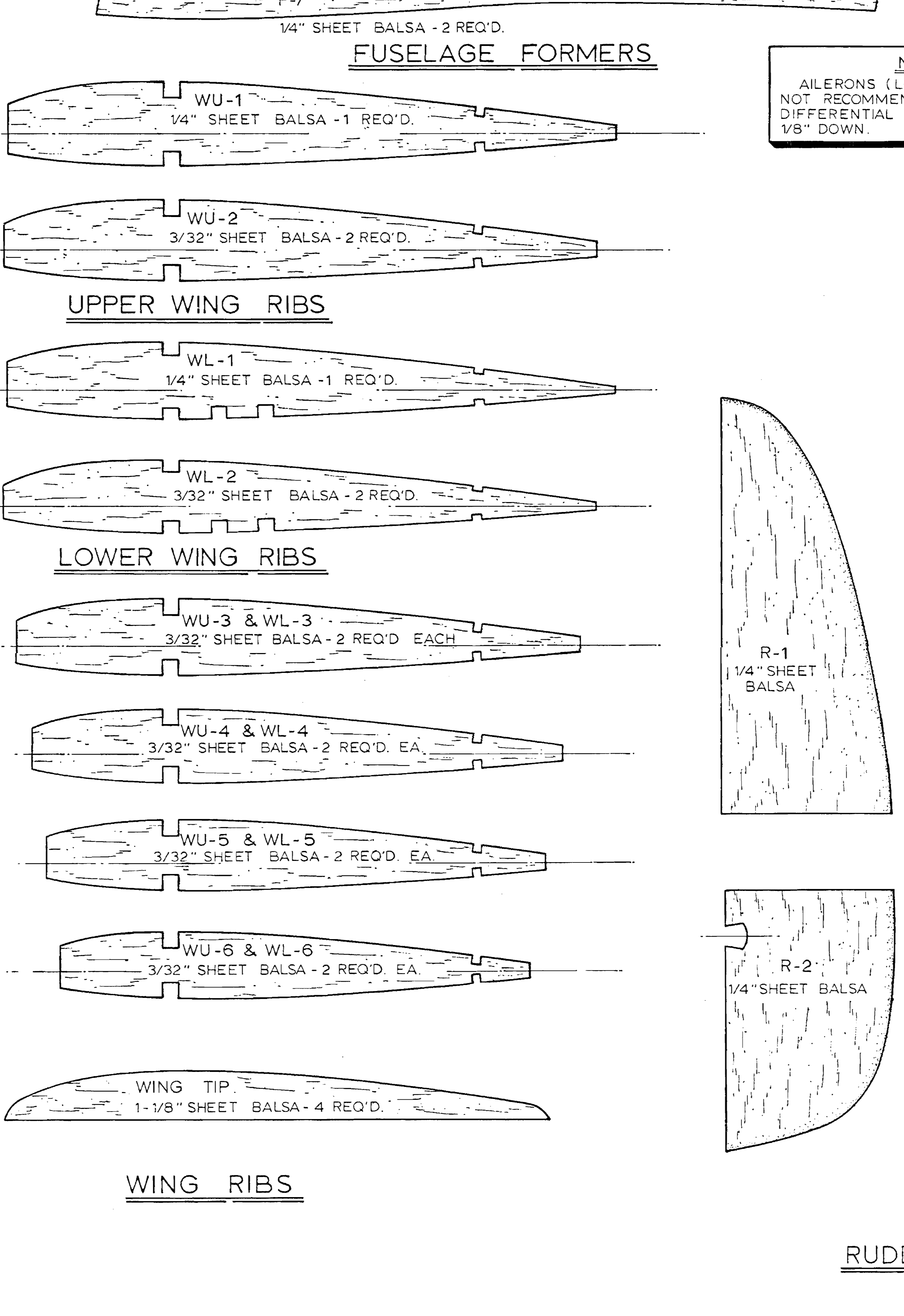
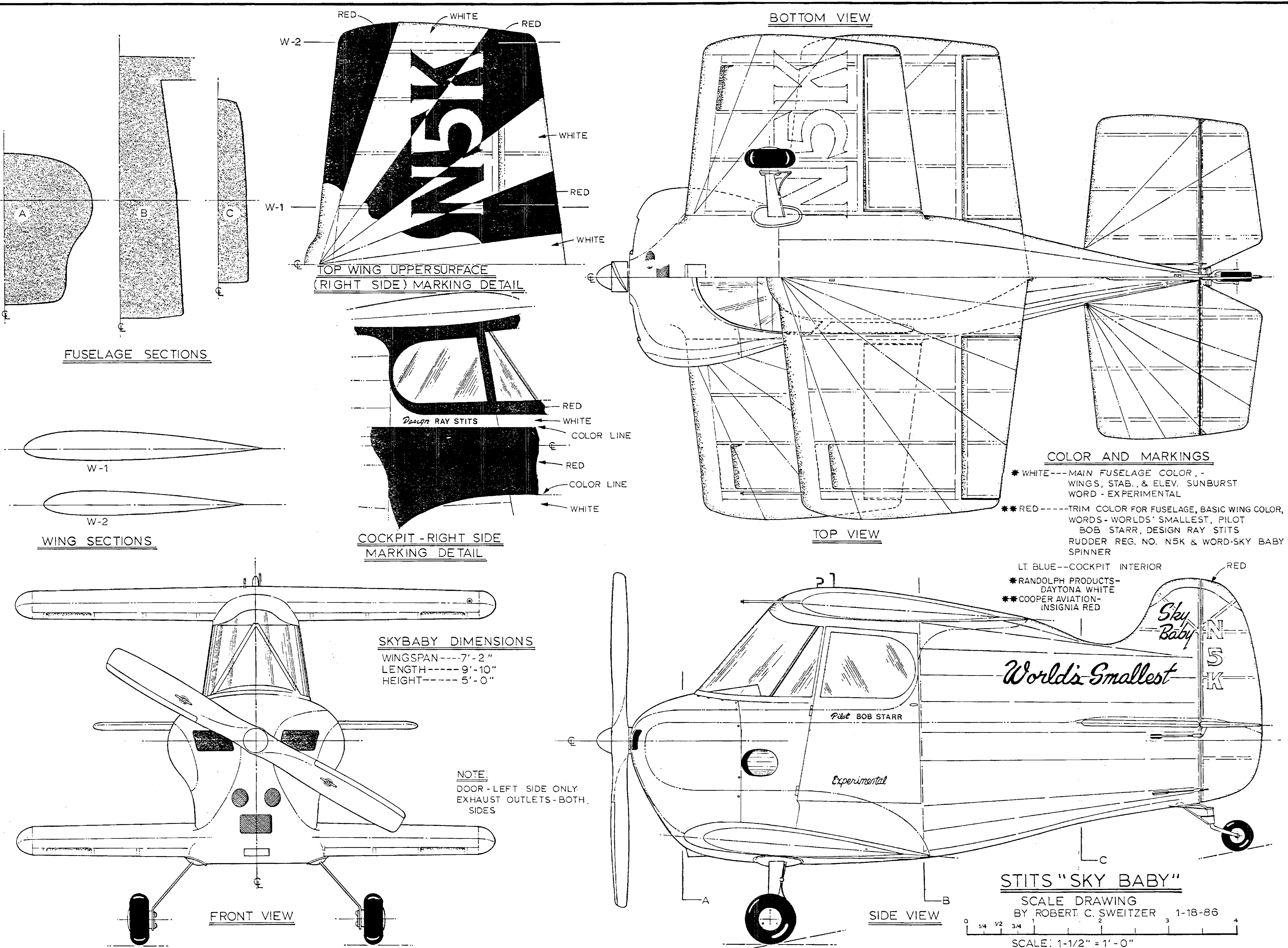
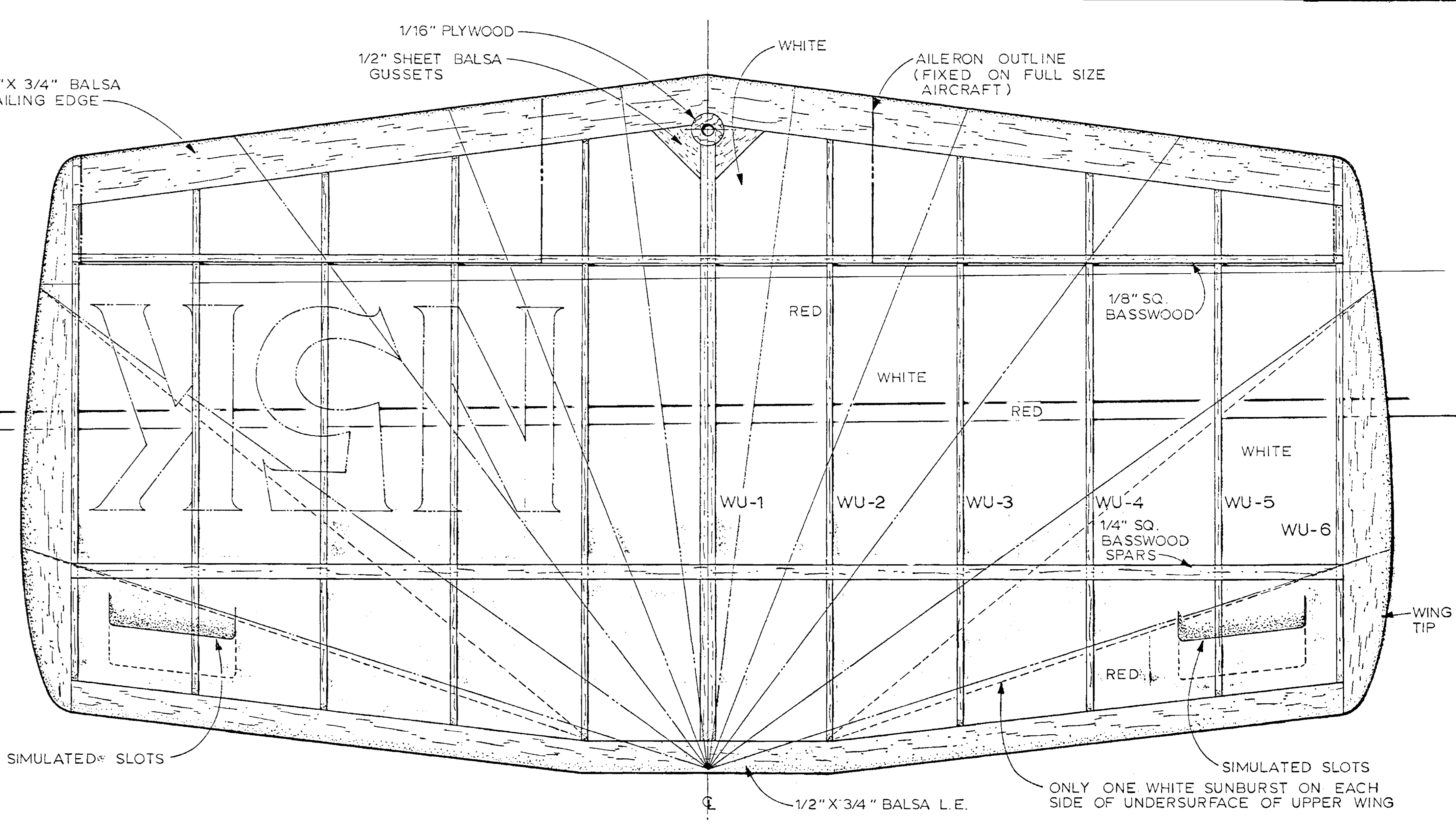
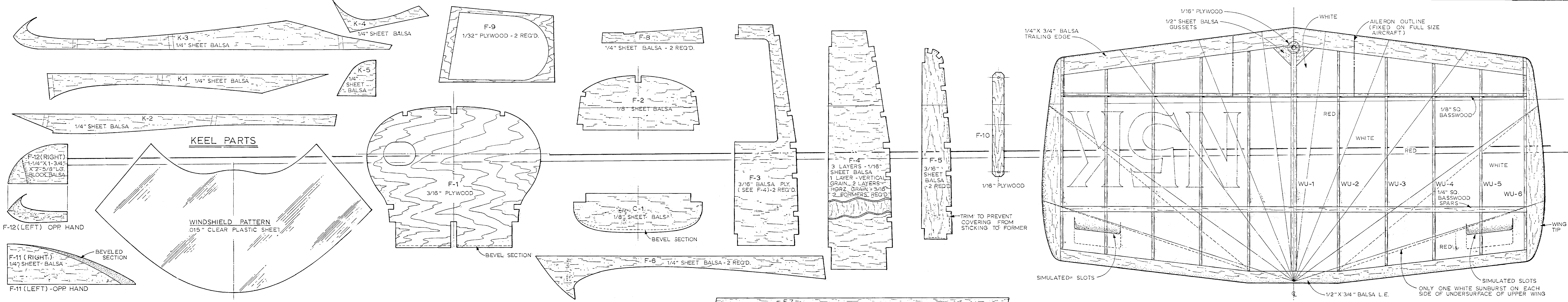
NAMES- RAY STITS & BOB STARR - USE RED 24 PT. HELVETICA LIGHT DRY TRANSFER LETTERS.



**STITS "SKY BABY"**  
1/4 SCALE MODEL

DESIGNED & DRAWN BY  
KEN WILLARD  
PLANS BY  
Robert C. Sweitzer





**NOTE:**  
AILERONS (LOWER WING ONLY) NOT RECOMMENDED, BUT IF USED, DIFFERENTIAL THROW - 3/8" UP & 1/8" DOWN