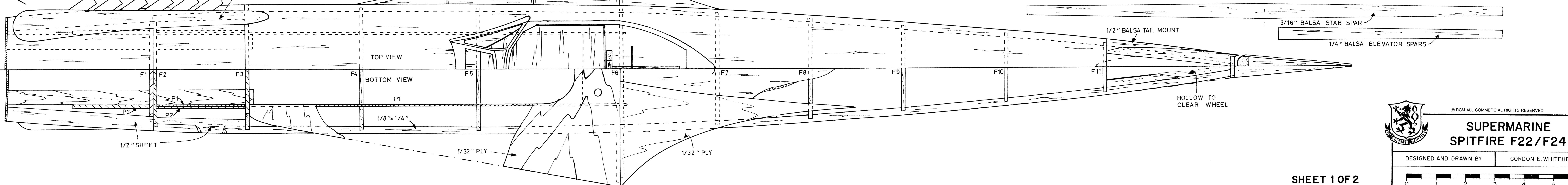
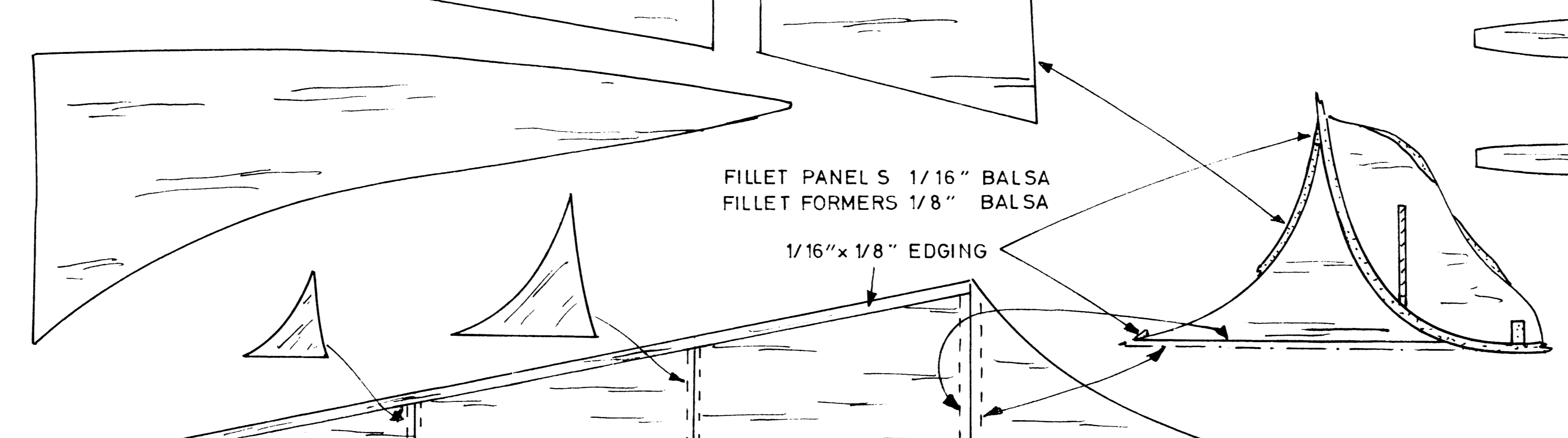
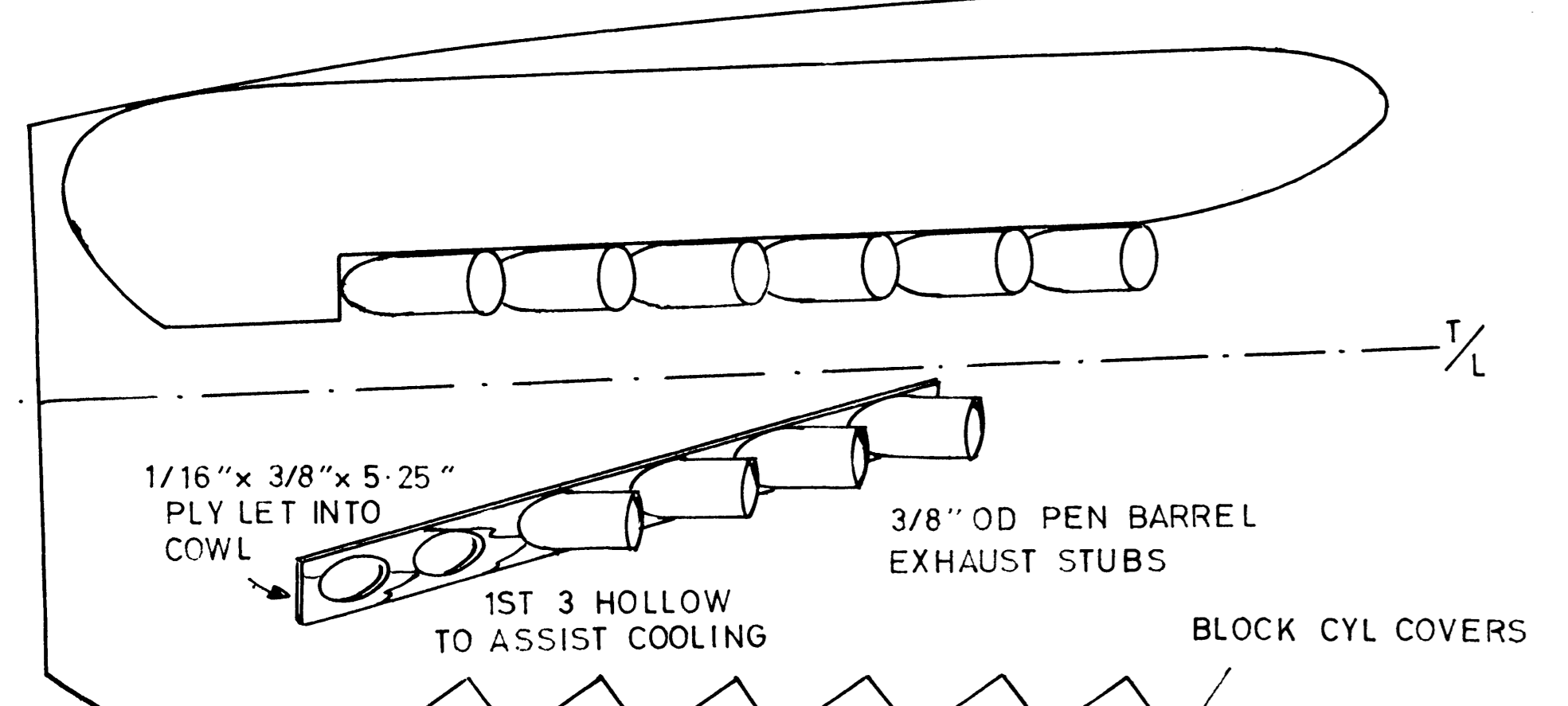
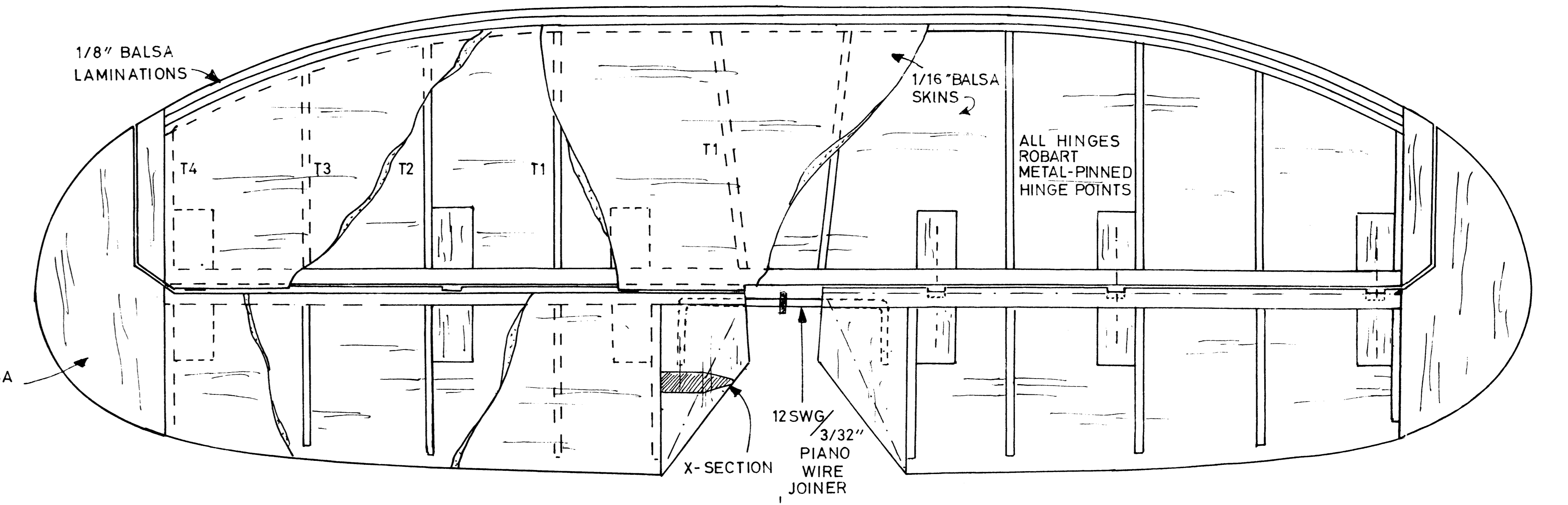
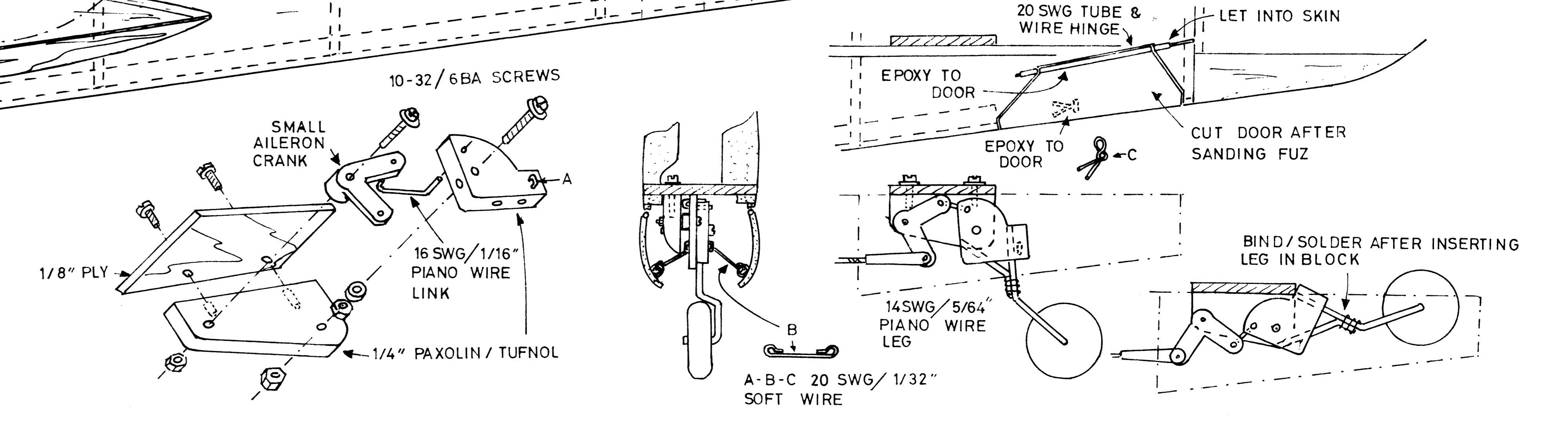
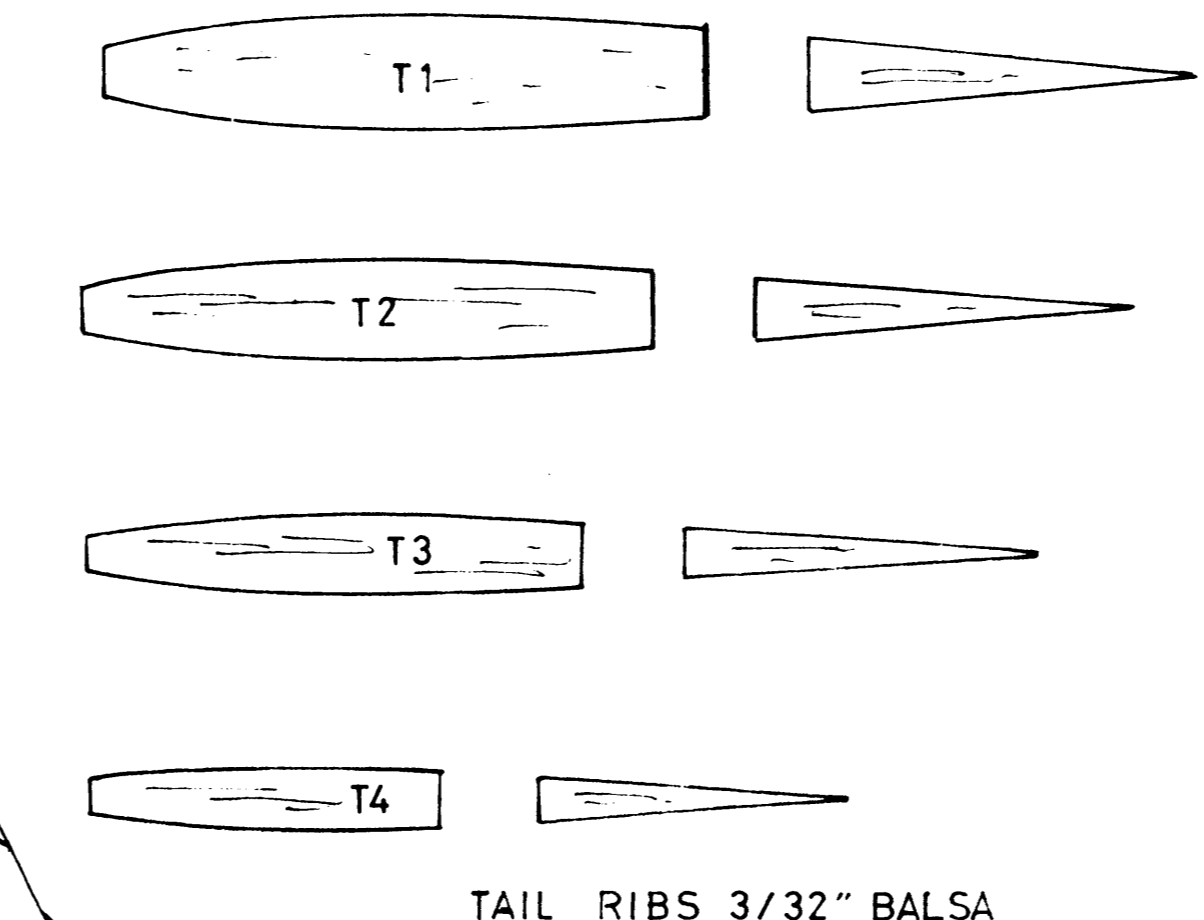
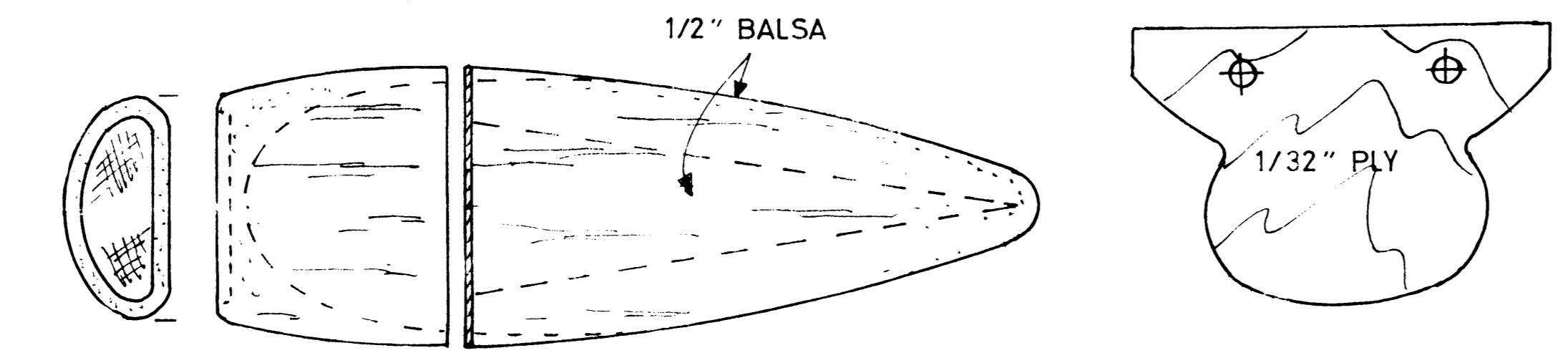
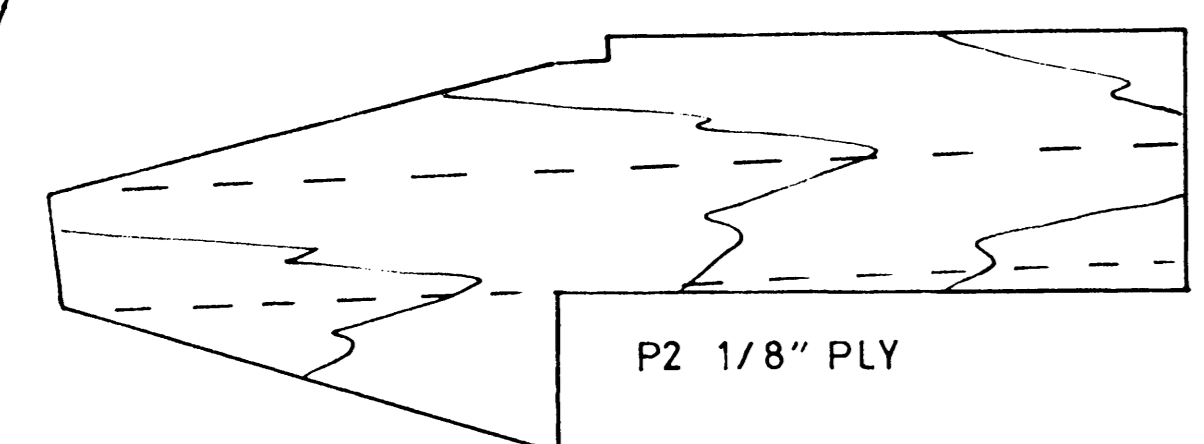
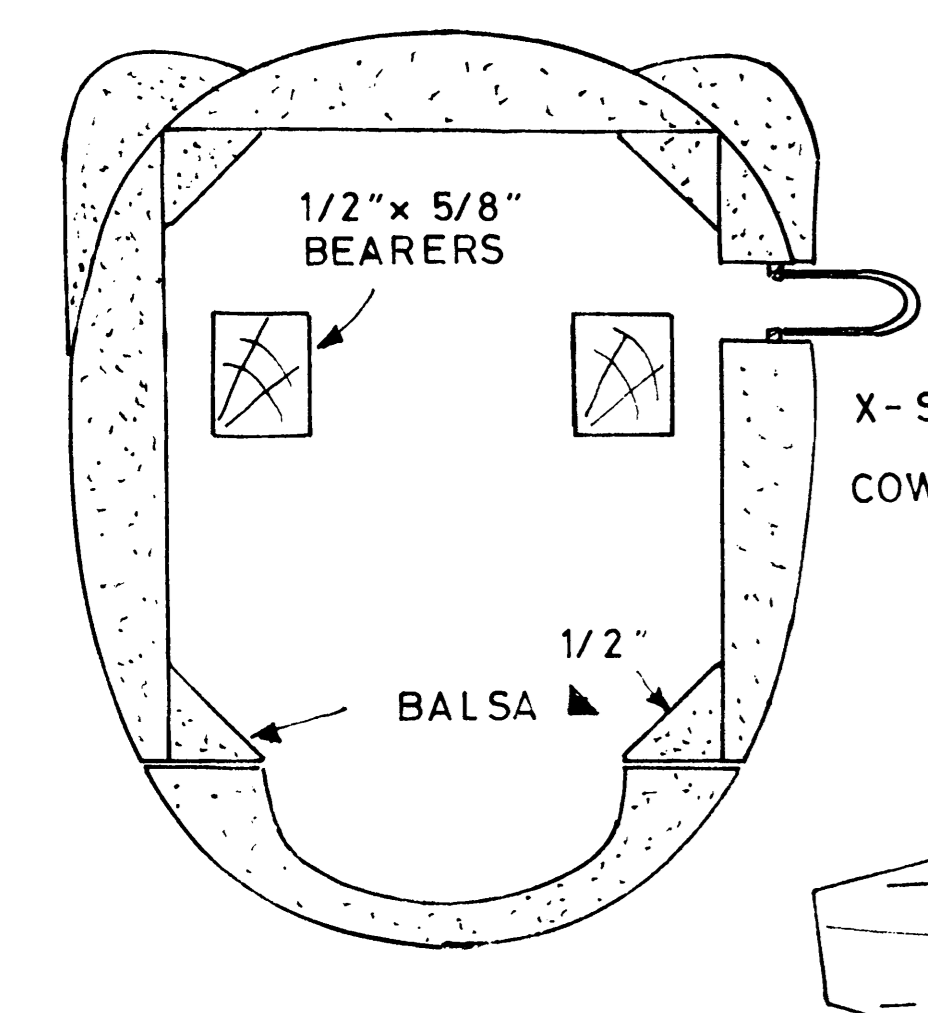
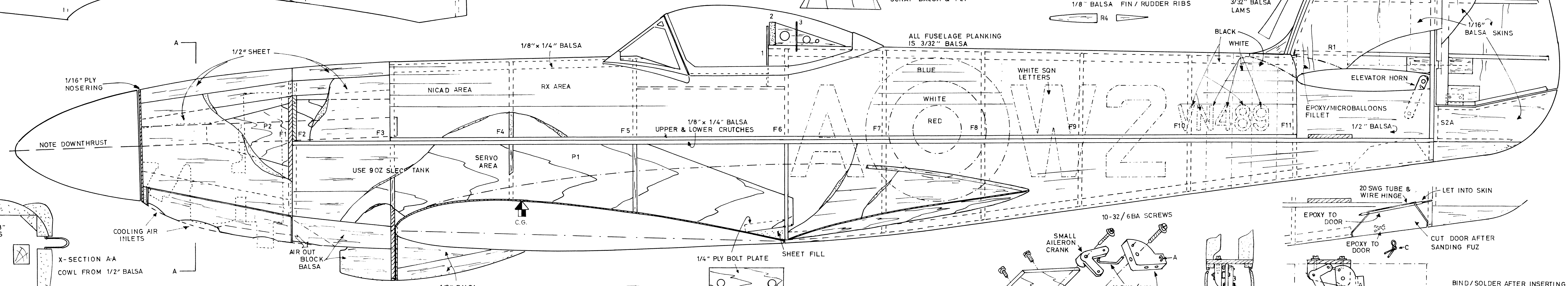
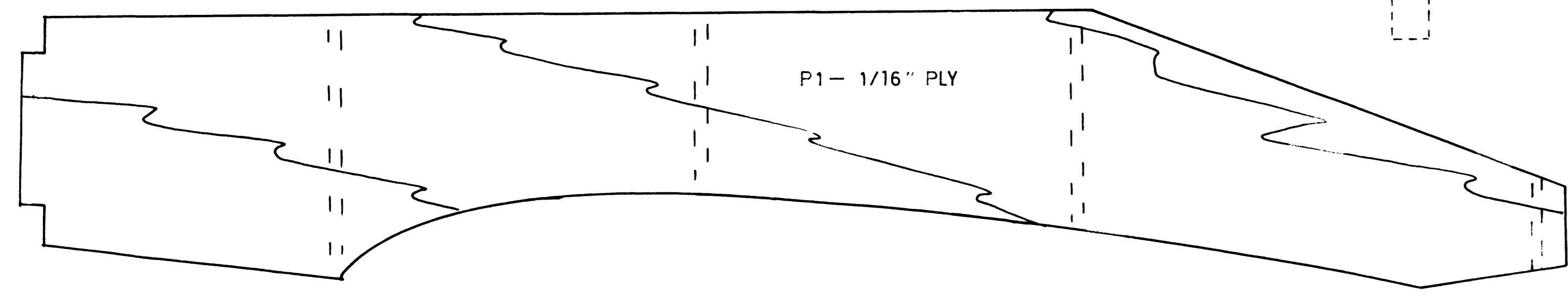
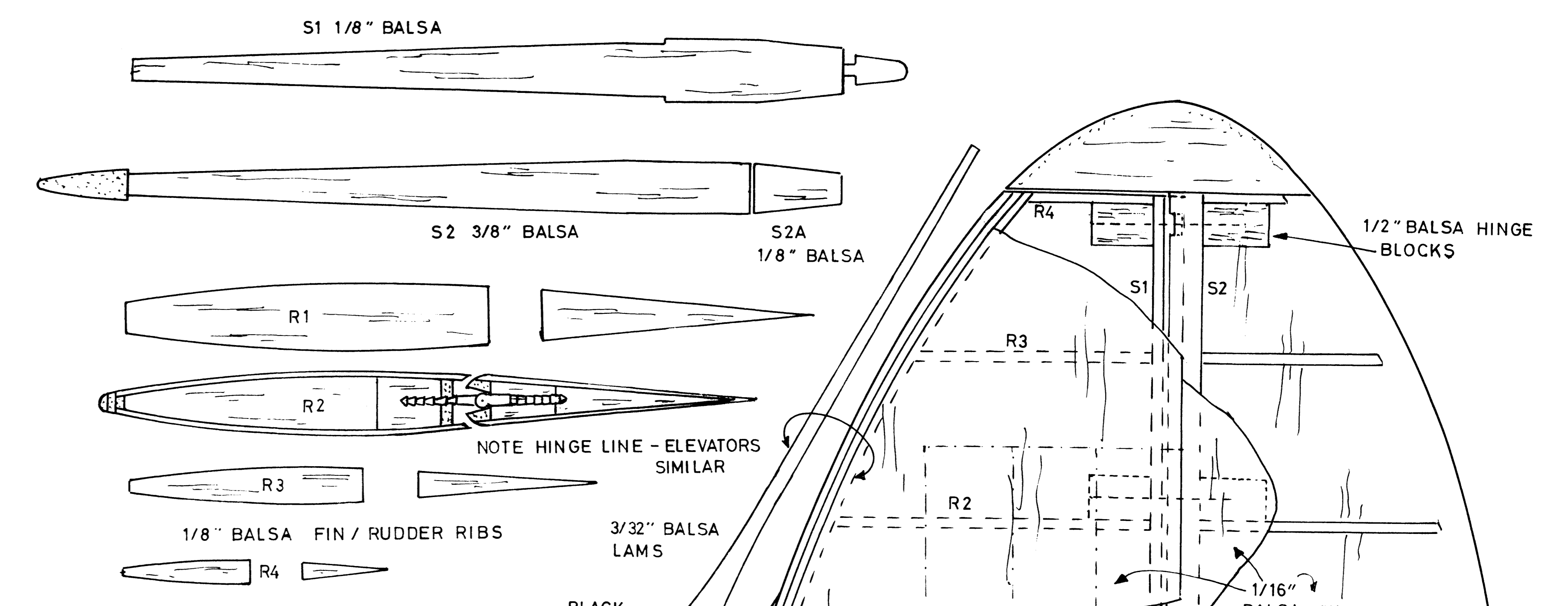
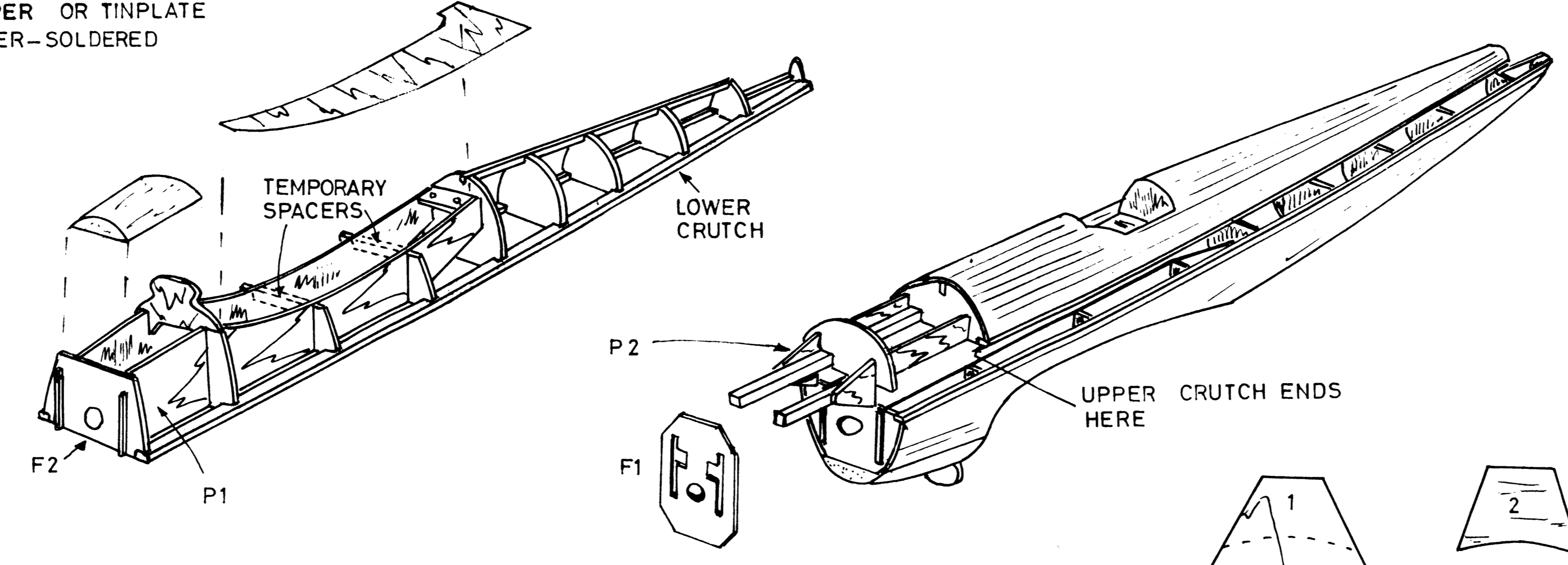
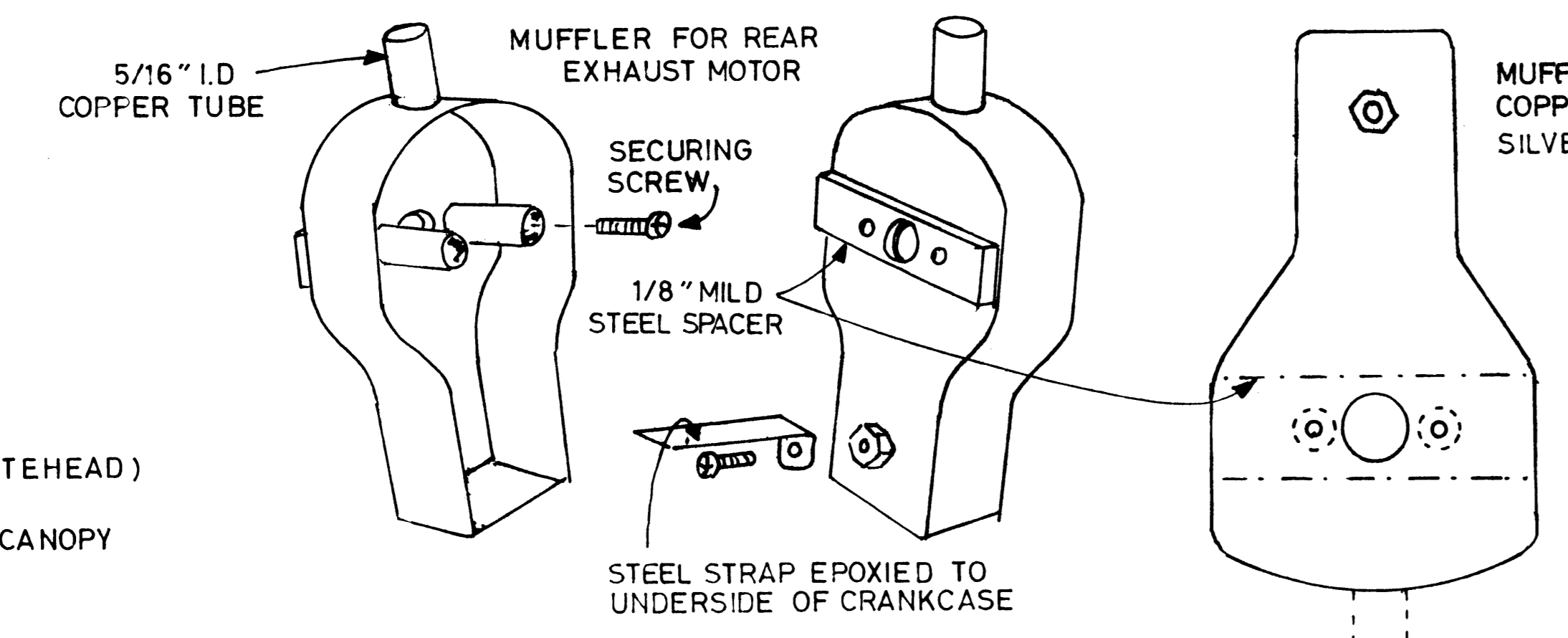


SPINNER & CANOPY AVAILABLE FROM:
 SAILPLANES INTERNATIONAL
 UNIT 6
 CWMTILLERY INDUSTRIAL ESTATE
 ABERTILLERY
 GWENT NP3 1LZ
 WALES U.K.
 PHONE 0495 216066

ORDER SPINNER: 3-1/2 IN SPITFIRE 24 (WHITEHEAD)
 CANOPY: PP8 ELITE SPITFIRE 22 CANOPY



© RCM ALL COMMERCIAL RIGHTS RESERVED

SUPERMARINE
SPITFIRE F22/F24

DESIGNED AND DRAWN BY GORDON E. WHITEHEAD

SHEET 1 OF 2

PLAN NO. 1036

