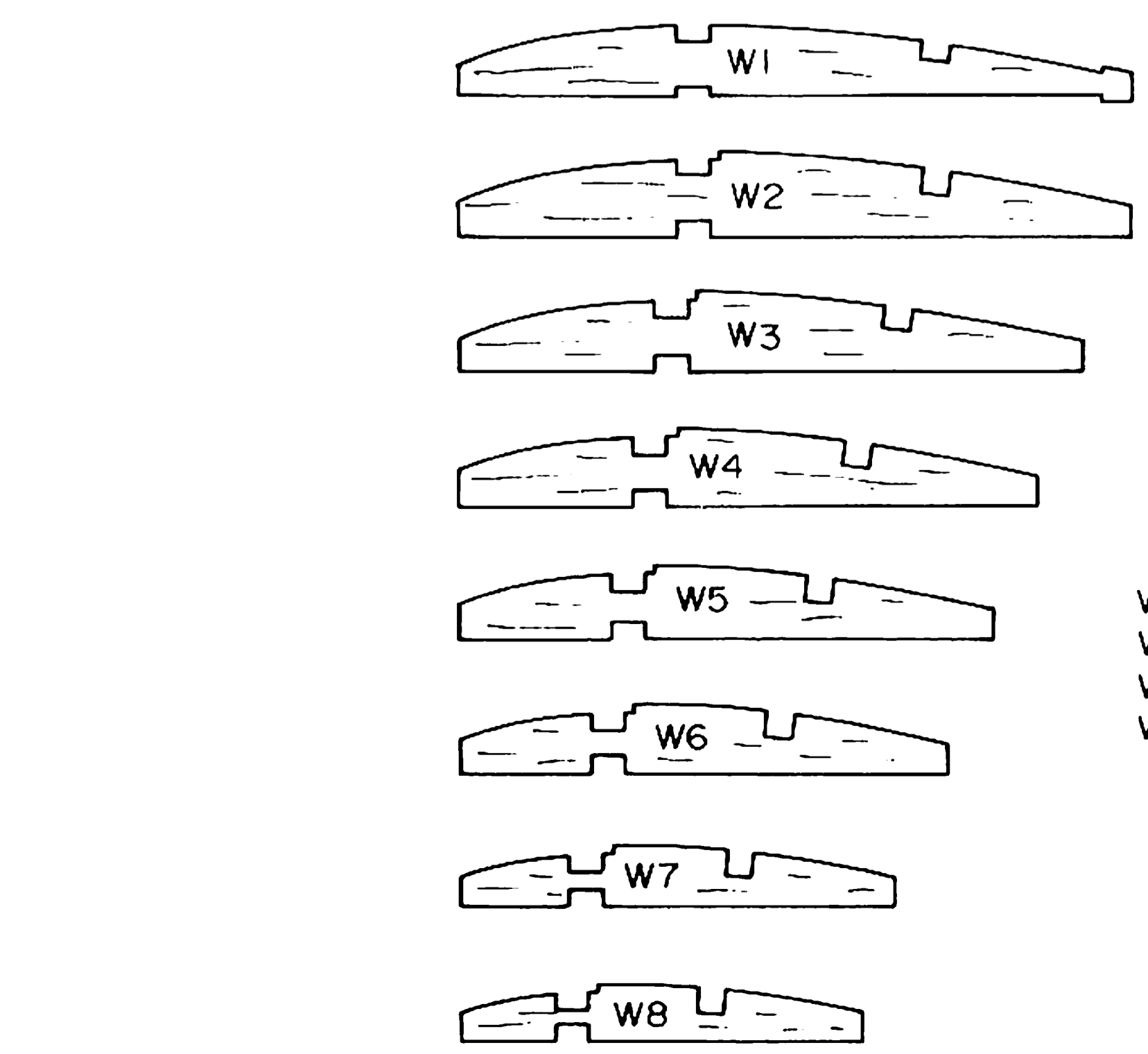
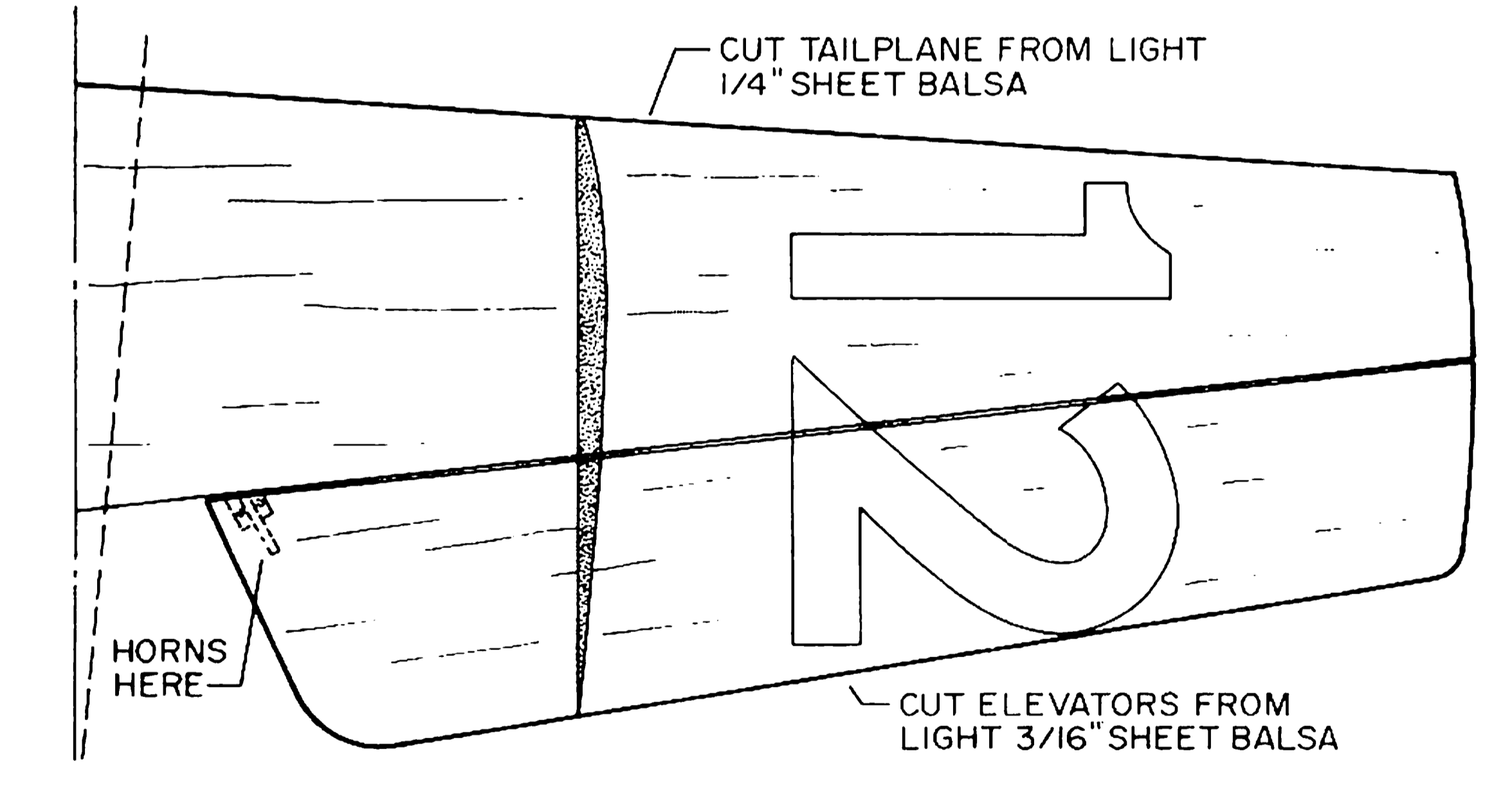
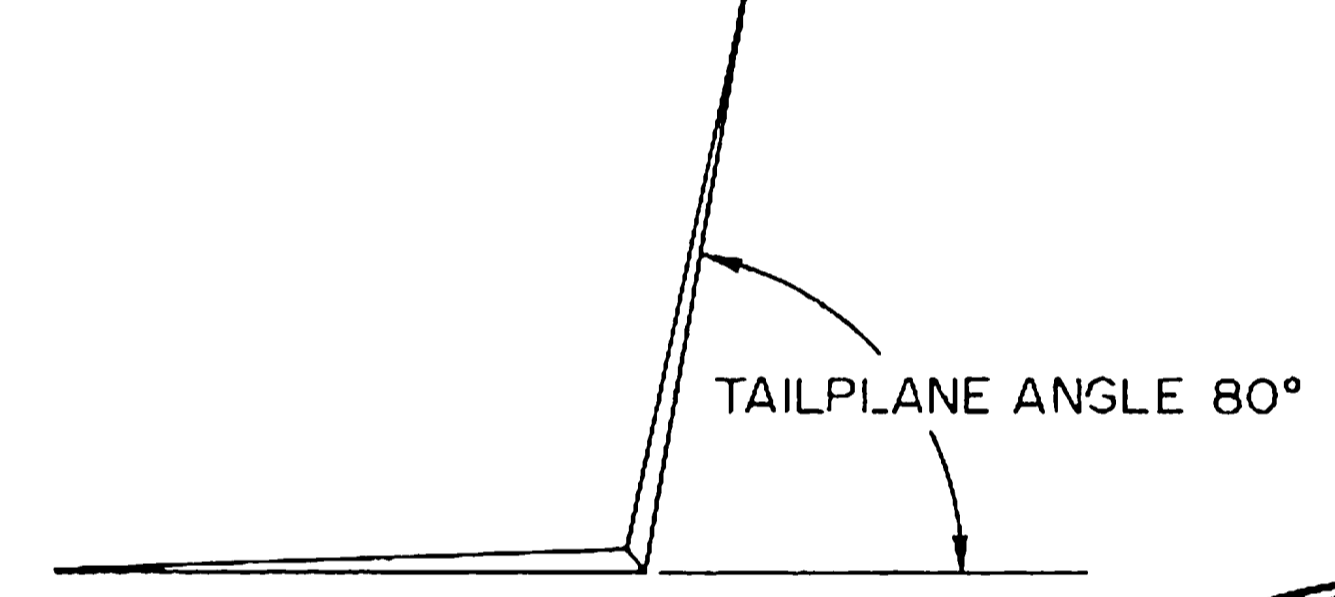
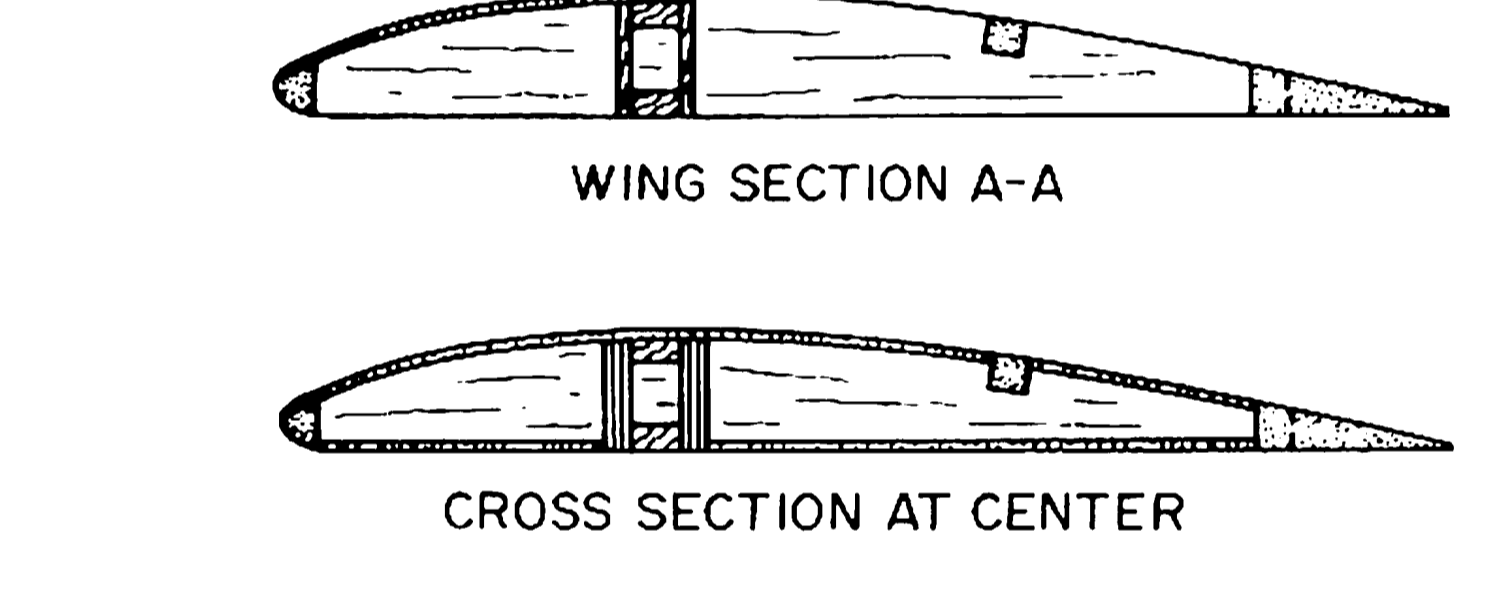
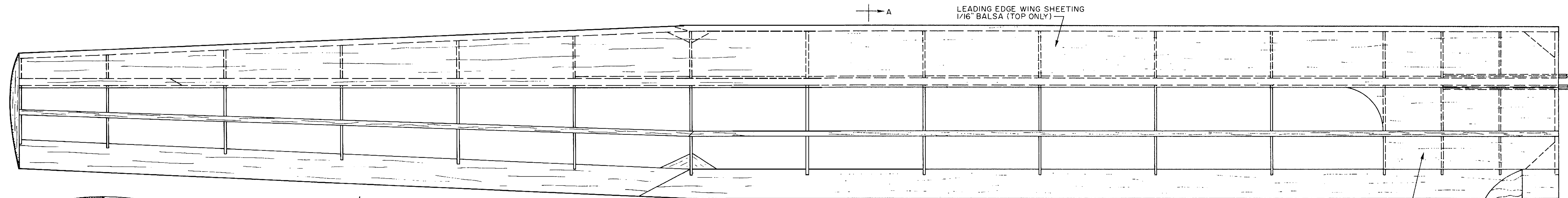
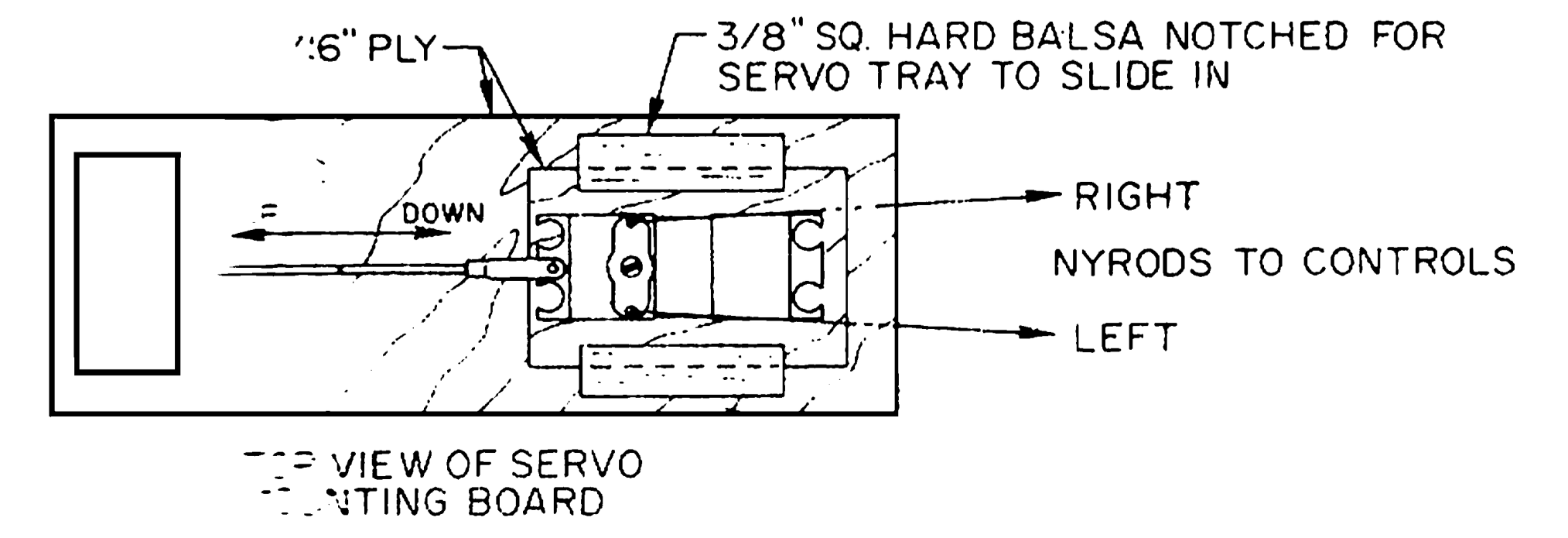
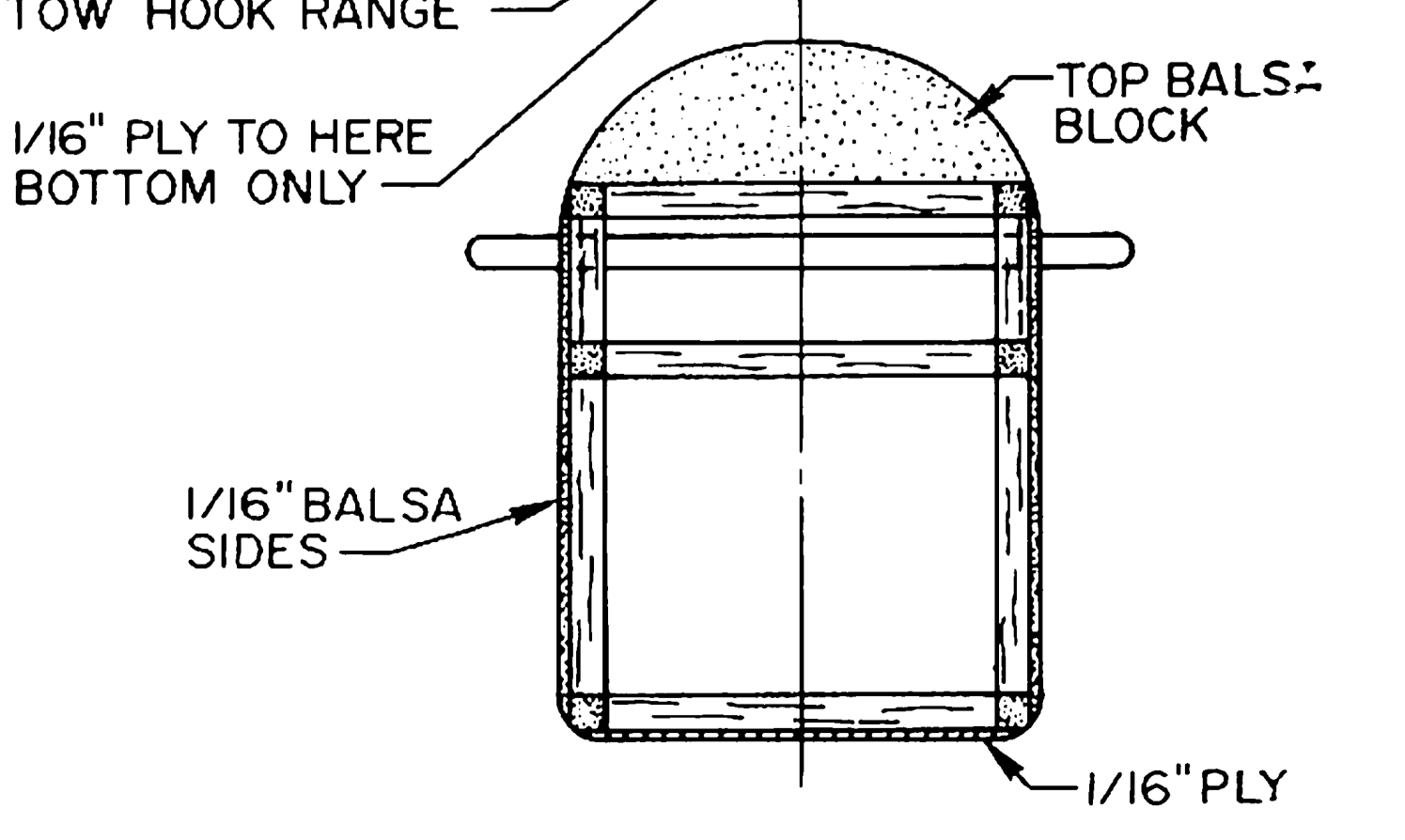
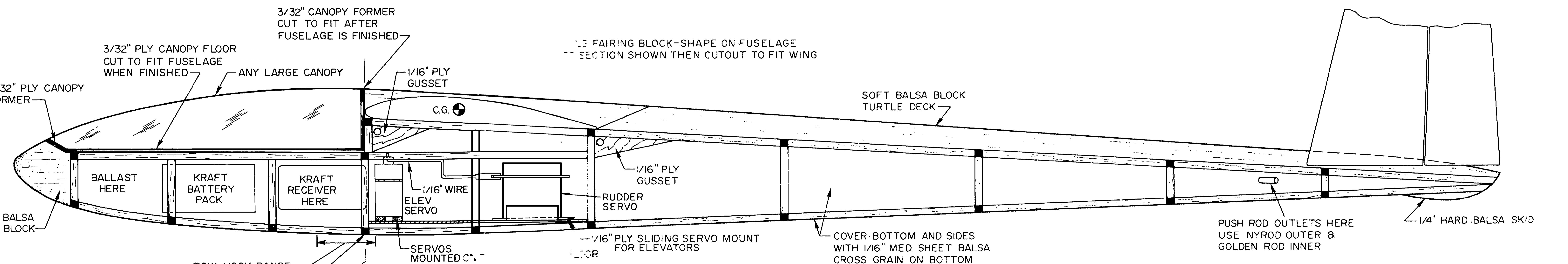
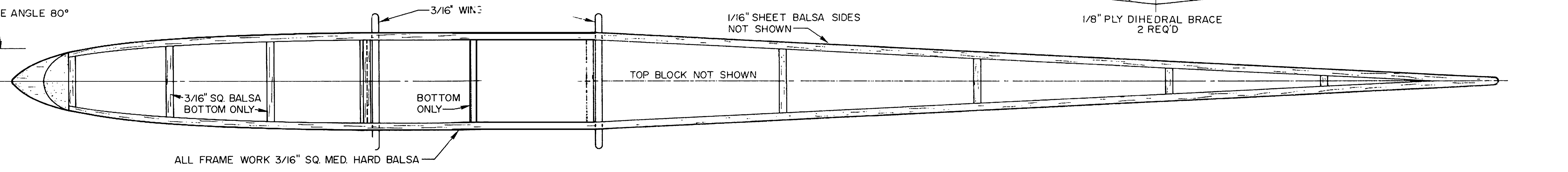


1/16" PLY EACH SIDE OF FUSELAGE
SO BANDS DO NOT CUT T.E.
BEVEL EDGES -
GLUE ON BEFORE COVERING



RIB REQUIREMENT
W1 - 1/8" Balsa (2 REQ'D)
W1 - 1/16" Balsa (6 REQ'D)
W2 - 1/16" Balsa (12 REQ'D)
W3 - W8 - 1/16" Balsa (2 EACH REQ'D)



WING SPAN - 106"
WING AREA - 590 SQ IN
LENGTH - 38-3/8"
WEIGHT - 2-1/4 LBS

SPECIALIST 'V'
DESIGNED & DRAWN BY KEVIN FLYNN
INKED BY DICK KIDD