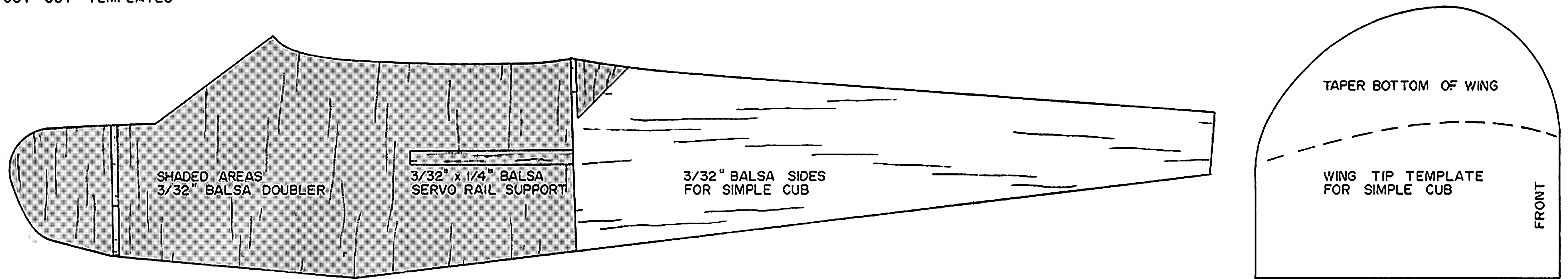
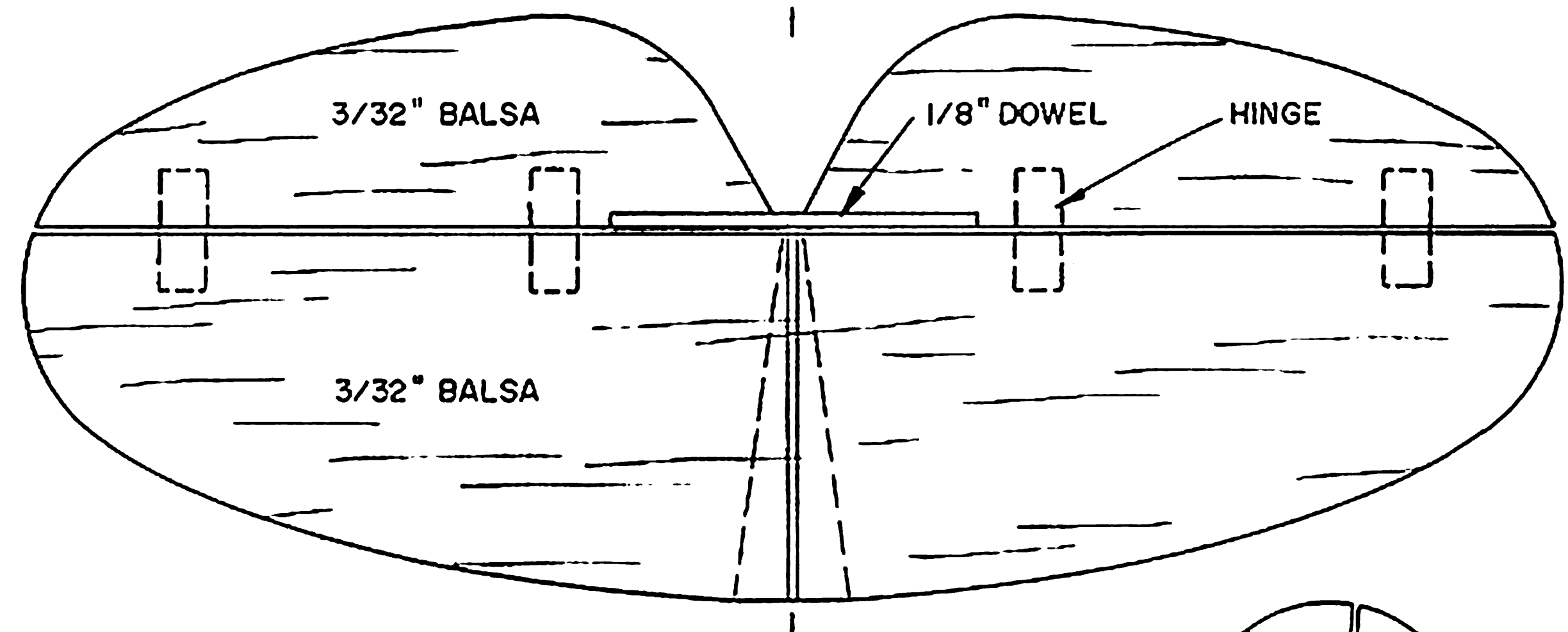
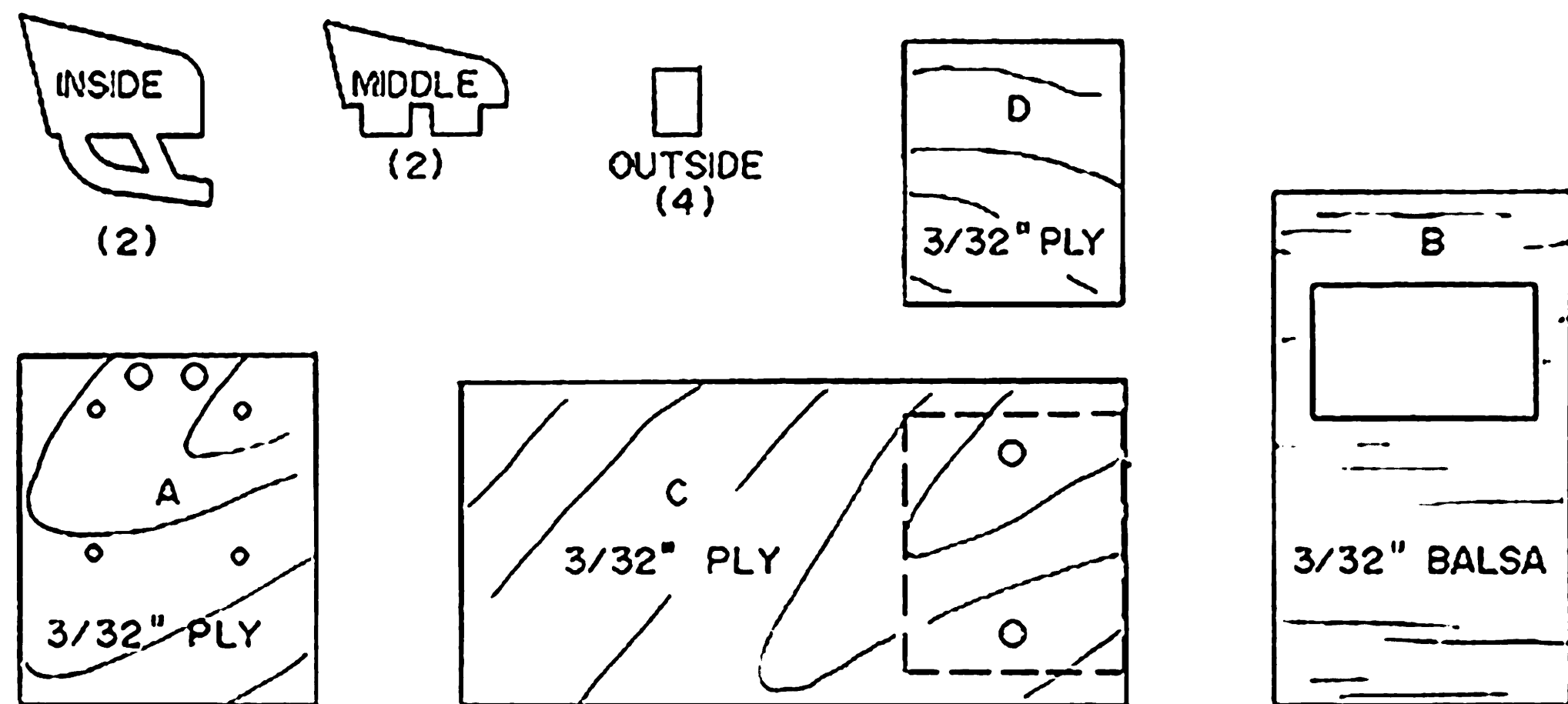


CUT OUT TEMPLATES

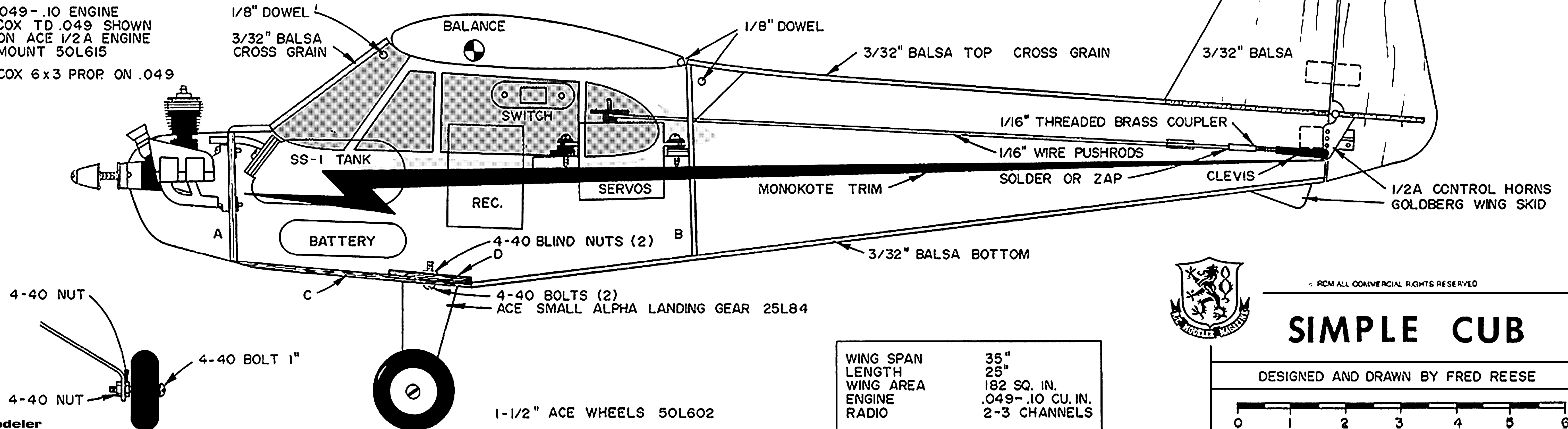


DUMMY ENGINE PARTS  
1/8" OR 3/32" Balsa

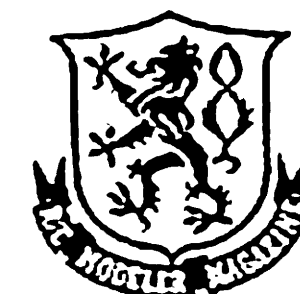


EPOXY WING HALVES TOGETHER  
DIHEDRAL - 3 1/2" UNDER ONE WING TIP  
ACE CONSTANT CHORD, MINI FOAM WING 50K102

.049-.10 ENGINE  
COX TD .049 SHOWN  
ON ACE 1/2A ENGINE  
MOUNT 50L615  
COX 6x3 PROP ON .049



3/8" MOVEMENT IN  
EACH DIRECTION  
FOR RUDDER AND  
ELEVATOR



© RCM ALL COMMERCIAL RIGHTS RESERVED

# SIMPLE CUB

DESIGNED AND DRAWN BY FRED REESE

WING SPAN	35"
LENGTH	25"
WING AREA	182 SQ. IN.
ENGINE	.049-.10 CU. IN.
RADIO	2-3 CHANNELS

