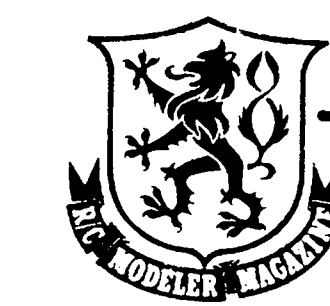
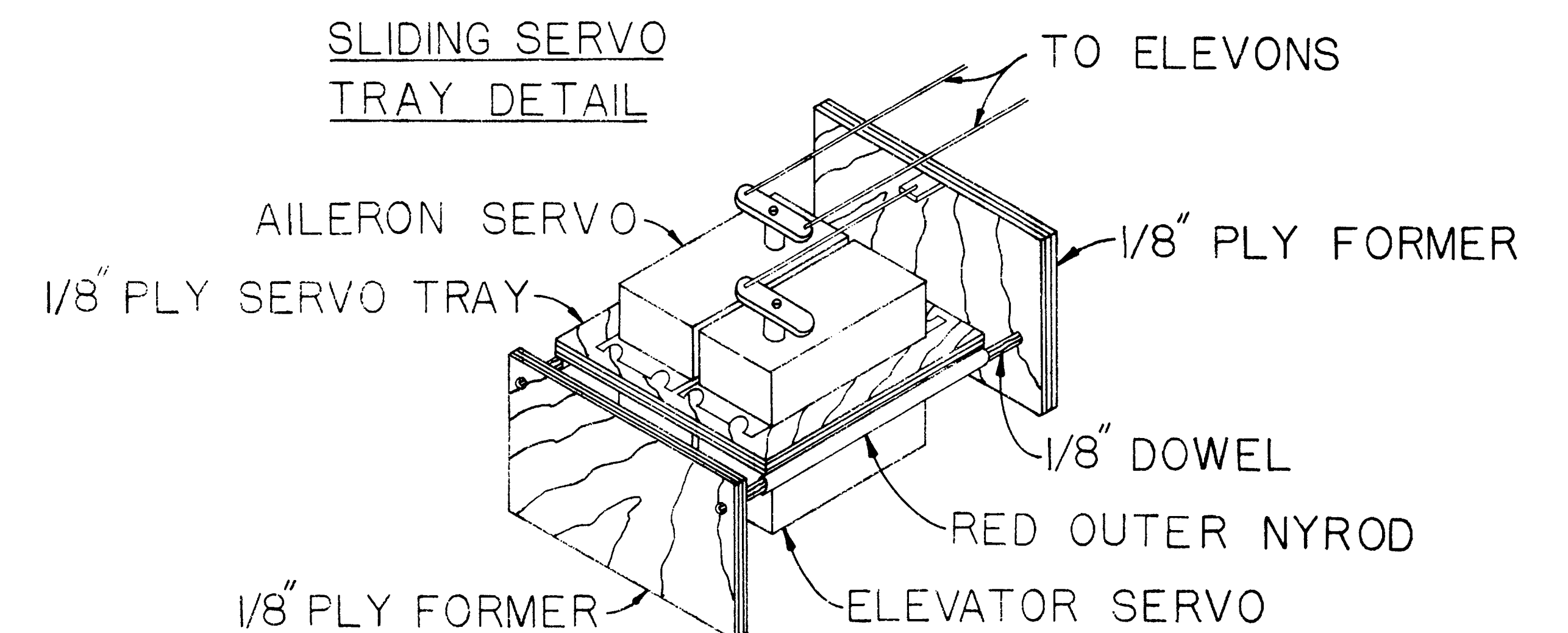
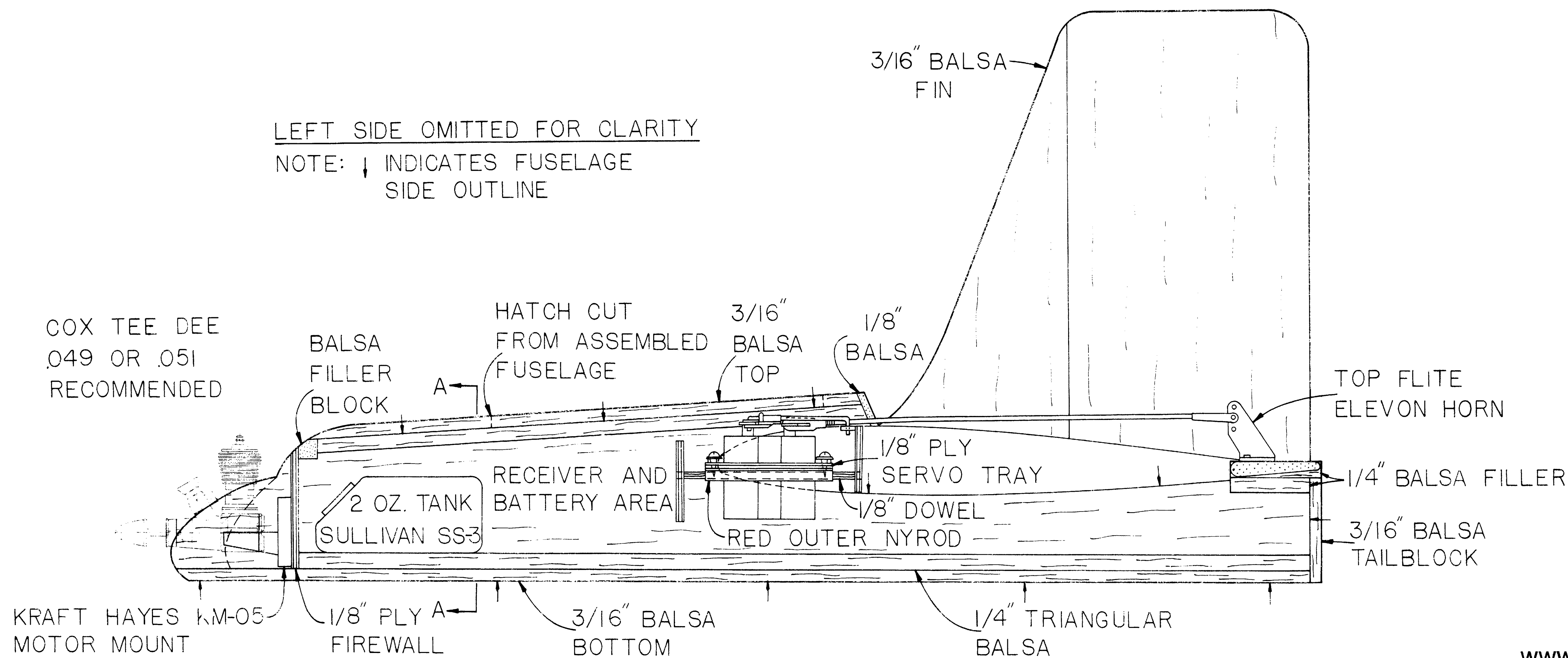


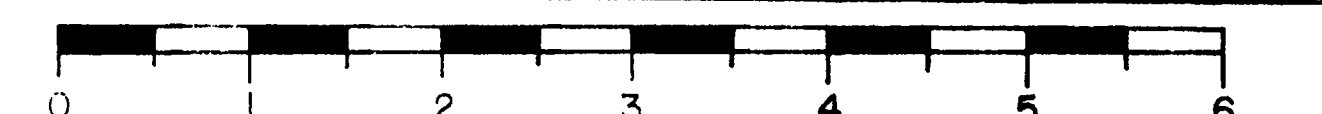
LEFT SIDE OMITTED FOR CLARITY  
NOTE: ↓ INDICATES FUSELAGE SIDE OUTLINE



ALL COMMERCIAL RIGHTS RESERVED

**SIMITAR**

DESIGNED BY BILL EVANS  
DRAWN BY B. ROBERTSON  
INKED BY CHUCK FELTON



www.rcmmagazine.com

PLAN NO. 669